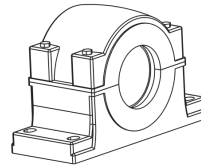
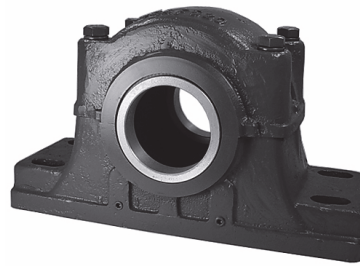
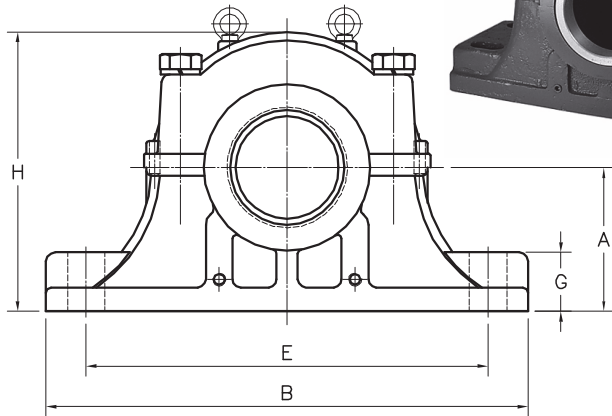


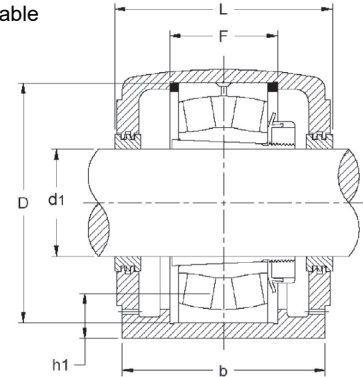
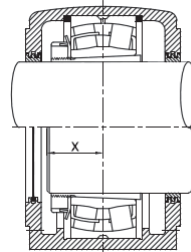
# Pillow Block Housings



## SDAF 231 Series



Models Available



## SDAF 231 K - Housing Dimensions

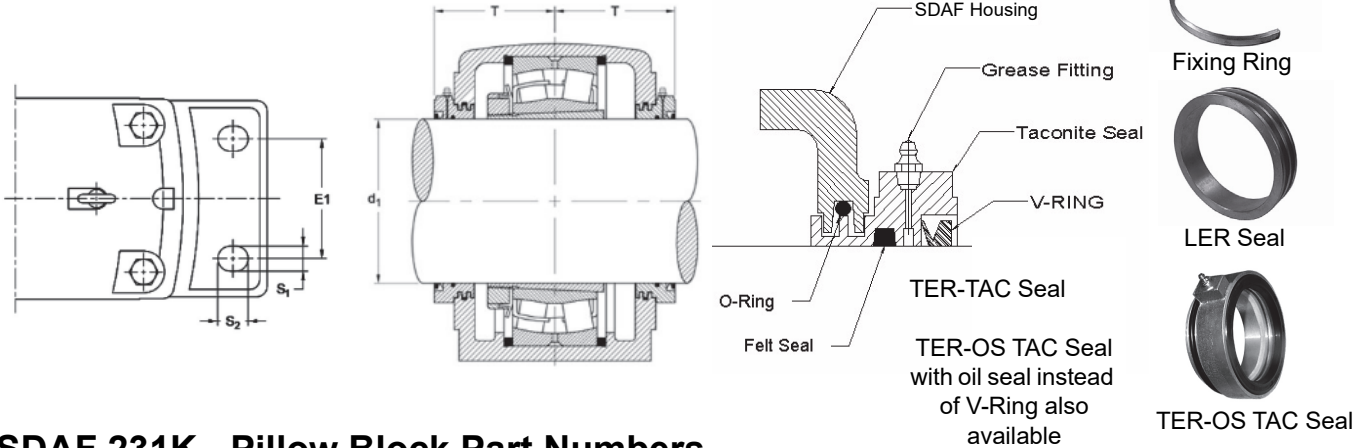
Dimensions in inches

Housing No. *	A	B	b	E			E1	F	G	H	Static Oil Level $h_1$	L	Cap Bolts (No. Required)	Base Bolts (No. Required)	S <sub>1</sub>	S <sub>2</sub>	T	X		Housing Wt. lb
				mm	Min	Max												mm	in	
SDAF 3152 K x 9-7/16 SDAF 3152 K x 9-1/2	10-1/4	35	13-1/8	440	29	30-1/2	8-3/4	164	3-3/4	20-3/4	3.13	14-1/4	(4)1-1/4	(4)1-5/8	1-3/4	2-1/2	8-3/8	115	4.53	1050
SDAF 3156 K x 9-15/16 SDAF 3156 K x 10 SDAF 3156 K x 10-7/16 SDAF 3156 K x 10-1/2	12	38-1/4	14-3/4	460	32-3/4	33-1/2	9	166	3-3/8	23-7/16	3.50	15-1/2	(4)1-1/4	(4)1-5/8	1-7/8	2-1/4	9-1/2	119	4.69	1250
SDAF 3160 K x 10-15/16 SDAF 3160 K x 11	12	38-1/4	14-3/4	500	32-3/4	33-1/2	9	180	3-3/8	23-7/16	3.80	15-1/2	(4)1-1/4	(4)1-5/8	1-7/8	2-1/4	9-1/2	125	4.92	1350
SDAF 3164 K x 11-7/16 SDAF 3164 K x 11-1/2 SDAF 3164 K x 11-15/16 SDAF 3164 K x 12	12-13/16	41-3/4	15-3/4	540	35	36-1/2	10-1/2	196	4-1/4	25-3/4	4.00	16-1/4	(4)1-1/2	(4)1-7/8	2-1/4	3	10-3/8	135	5.31	1830
SDAF 3168 K x 12-7/16 SDAF 3168 K x 12-1/2	14	43-3/4	17-5/8	580	36-3/4	38-1/4	10-3/4	210	5	27-3/4	4.63	18-1/4	(4)1-1/2	(4)2	2-3/8	3-1/8	11-1/4	155	6.10	2450
SDAF 3172 K x 12-15/16 SDAF 3172 K x 13 SDAF 3172 K x 13-7/16 SDAF 3172 K x 13-1/2	14-1/2	46	17-1/8	600	39-1/4	40-3/4	11	212	5-1/4	29	4.63	17-1/4	(4)1-1/2	(4)2	2-7/16	3-3/16	10-7/8	160	6.30	2500
SDAF 3176 K x 13-15/16 SDAF 3176 K x 14	14-1/2	46	17-1/8	620	39-1/4	40-3/4	11	214	5-1/4	28-7/8	4.30	17-5/8	(4)1-1/2	(4)2	2-7/16	3-3/16	10-7/8	163	6.42	2500
SDAF 3180 K x 14-15/16 SDAF 3180 K x 15	15-1/2	48-3/4	18-3/4	650	41-3/4	43-1/2	12-1/4	220	5-1/2	30-1/2	4.81	19-1/4	(4)1-1/2	(4)2-1/4	2-3/8	3-1/4	12	168	6.61	2800
SDAF 3184 K x 15-3/4	17	53	21	700	44-3/8	46-1/8	14-1/2	224	5-1/2	33-3/4	5.60	21-3/4	(4)1-1/2	(4)2-1/4	2-11/16	3-9/16	13-1/4	188	7.40	4300
SDAF 3188 K x 16-1/2	17	53	21	720	44-3/8	46-1/8	14-1/2	246	5-1/2	33-3/4	5.30	21-3/4	(4)1-1/2	(4)2-1/4	2-11/16	3-9/16	13-1/4	189	7.44	4300
SDAF 3192 K x 17	18	54-1/4	21-5/8	760	47-1/8	48-7/8	15	260	5-3/4	35-3/4	5.50	21-5/8	(4)1-1/2	(4)2-1/2	2-13/16	3-5/8	13-1/4	201	7.91	5000
SDAF 3196 K x 18	18	54-1/4	21-5/8	790	47-1/8	48-7/8	15	268	5-3/4	35-3/4	5.20	21-5/8	(4)1-1/2	(4)2-1/2	2-13/16	3-5/8	13-1/2	205	8.07	5200
SDAF 31/500 K x 18-1/2	18	54-1/4	21-5/8	830	47-1/8	48-7/8	15	284	5-3/4	35-3/4	—	21-5/8	(4)1-1/2	(4)2-1/2	2-7/8	3-5/8	—	218	8.58	5200
SDAF 31/530 K x 19-1/2	20	60	22	870	52-3/8	54-1/8	15	292	6	40	—	24-5/8	(4)2	(4)3	3-1/4	3-3/4	—	—	—	5600
SDAF 31/560 K x 21	20	60	22	920	52-3/8	54-1/8	15	300	6	40	—	24-5/8	(4)2	(4)3	3-1/4	3-3/4	—	—	—	5600
SDAF 31/600 K x 22	23-1/4	64-1/4	26-5/8	980	57-1/8	58-7/8	19-5/8	320	6-1/4	47-1/4	—	27-3/4	(4)2-1/2	(4)3	3-1/4	3-3/4	—	—	—	6000
SDAF 31/630 K x 24	23-1/4	64-1/4	26-5/8	1030	57-1/8	58-7/8	19-5/8	335	6-1/4	47-1/4	—	27-3/4	(4)2-1/2	(4)3	3-1/4	3-3/4	—	—	—	6000

Note: \* SDAFD (Ductile) and SDAFS (Steel) housings available on request.

# Pillow Block Housing Accessories

## SDAF 231 Series



## SDAF 231K - Pillow Block Part Numbers

Shaft Size d <sub>1</sub> in	Complete Pillow Block Part No.	Pillow Block Housing Only Part No. **	Bearing Part No. *	Basic Dynamic Load Rating C kN	Adapter Part No.	Labyrinth Seal Ring (2 Req'd) Part No.	Fixing Ring (2 Req'd) Part No.	End Cover Part No.	Taconite Seal Part No.
9-7/16	SDAF 23152 K x 9-7/16	SDAF 3152 K x 9-7/16	23152KC3W33	2200	OH 3152 x 9-7/16	LER 553	FR440 x 10	EPR 5217-2	TER 553
9-1/2	SDAF 23152 K x 9-1/2	SDAF 3152 K x 9-1/2			OH 3152 x 9-1/2	LER 178			TER 178
9-15/16	SDAF 23156 K x 9-15/16	SDAF 3156 K x 9-15/16	23156KC3W33	2250	OH 3156 x 9-15/16	ER 751	FR460 x 10	EPR 5217-1	TER 751
10	SDAF 23156 K x 10	SDAF 3156 K x 10			OH 3156 x 10	ER 705			TER 705
10-7/16	SDAF 23156 K x 10-7/16	SDAF 3156 K x 10-7/16			OH 3156 x 10-7/16	ER 745			TER 745
10-1/2	SDAF 23156 K x 10-1/2	SDAF 3156 K x 10-1/2			OH 3156 x 10-1/2	ER 710			TER 710
10-15/16	SDAF 23160 K x 10-15/16	SDAF 3160 K x 10-15/16	23160KC3W33	2800	OH 3160 x 10-15/16	ER 858	FR500 x 10	EPR 5217-9	TER 858
11	SDAF 23160 K x 11	SDAF 3160 K x 11			OH 3160 x 11	ER 825			TER 825
11-7/16	SDAF 23164 K x 11-7/16	SDAF 3164 K x 11-7/16	23164KC3W33	3200	OH 3164 x 11-7/16	ER 861	FR540 x 10	EPR 5217-16	TER 861
11-1/2	SDAF 23164 K x 11-1/2	SDAF 3164 K x 11-1/2			OH 3164 x 11-1/2	ER 832			TER 832
11-15/16	SDAF 23164 K x 11-15/16	SDAF 3164 K x 11-15/16			OH 3164 x 11-15/16	ER 859			TER 859
12	SDAF 23164 K x 12	SDAF 3164 K x 12			OH 3164 x 12	ER 818			TER 818
12-7/16	SDAF 23168 K x 12-7/16	SDAF 3168 K x 12-7/16	23168KC3W33	3600	OH 3168 x 12-7/16	ER 865	FR580 x 10	EPR 5217-29	TER 865
12-1/2	SDAF 23168 K x 12-1/2	SDAF 3168 K x 12-1/2			OH 3168 x 12-1/2	ER 866			TER 866
12-15/16	SDAF 23172 K x 12-15/16	SDAF 3172 K x 12-15/16	23172KC3W33	2750	OH 3172 x 12-15/16	ER 869	FR600 x 10	EPR 5217-27	TER 869
13	SDAF 23172 K x 13	SDAF 3172 K x 13			OH 3172 x 13	ER 846			TER 846
13-7/16	SDAF 23172 K x 13-7/16	SDAF 3172 K x 13-7/16			OH 3172 x 13-7/16	ER 872			TER 872
13-1/2	SDAF 23172 K x 13-1/2	SDAF 3172 K x 13-1/2			OH 3172 x 13-1/2	ER 823			TER 823
13-15/16	SDAF 23176 K x 13-15/16	SDAF 3176 K x 13-15/16	23176KC3W33	3900	OH 3176 x 13-15/16	ER 875	FR620 x 10	EPR 5217-12	TER 875
14	SDAF 23176 K x 14	SDAF 3176 K x 14			OH 3176 x 14	ER 876			TER 876
14-15/16	SDAF 23180 K x 14-15/16	SDAF 3180 K x 14-15/16	23180KC3W33	4200	OH 3180 x 14-15/16	ER 847R	FR650 x 10	EPR 5217-21	TER 847R
15	SDAF 23180 K x 15	SDAF 3180 K x 15			OH 3180 x 15	ER 847			TER 847
15-3/4	SDAF 23184 K x 15-3/4	SDAF 3184 K x 15-3/4	23184KC3W33	5200	OH 3184 x 15-3/4	ER 969	FR700 x 10	EPR 5217-23	TER 969
16-1/2	SDAF 23188 K x 16-1/2	SDAF 3188 K x 16-1/2	23188KC3W33	5200	OH 3188 x 16-1/2	ER 958	FR720 x 10	EPR 5217-25	TER 958
17	SDAF 23192 K x 17	SDAF 3192 K x 17	23192KC3W33	5700	OH 3192 x 17	ER 838	FR760 x 10	EPR 838	TER 838
18	SDAF 23196 K x 18	SDAF 3196 K x 18	23196KC3W33	6200	OH 3196 x 18	ER 888	FR790 x 10	EPR 888	TER 888
18-1/2	SDAF 231/500K x 18-1/2	SDAF 31/500 x 18-1/2	231/500KC3W33	6700	OH 31/500 x 18-1/2	ER 978	FR830 x 10	EPR 978	TER 978
19-1/2	SDAF 231/530K x 19-1/2	SDAF 31/530 x 19-1/2	231/530KC3W33	7100	OH 31/530 x 19-1/2	ER 926	FR870 x 10	EPR 926	TER 926
21	SDAF 231/560K x 21	SDAF 31/560 x 21	231/560KC3W33	7900	OH 31/560 x 21	ER 933	FR920 x 10	EPR 933	TER 933
22	SDAF 231/600K x 22	SDAF 31/600 x 22	231/600KC3W33	8900	OH 31/600 x 22	ER 986	FR980 x 10	EPR 986	TER 986
24	SDAF 231/630K x 24	SDAF 31/630 x 24	231/630KC3W33	10000	OH 31/630 x 24	ER 987	FR1030 x 10	EPR 987	TER 987

Note: \*Typical suffix to the bearing part number is KC3W33 where K indicates taper bore, C3 is the internal clearance and W33 indicates a lube groove on the bearing O.D. For example specify 23164KC3W33. Other bearing clearances available upon request. \*\* Pillow Block housing includes Fixing Rings and ER or LER Seals.