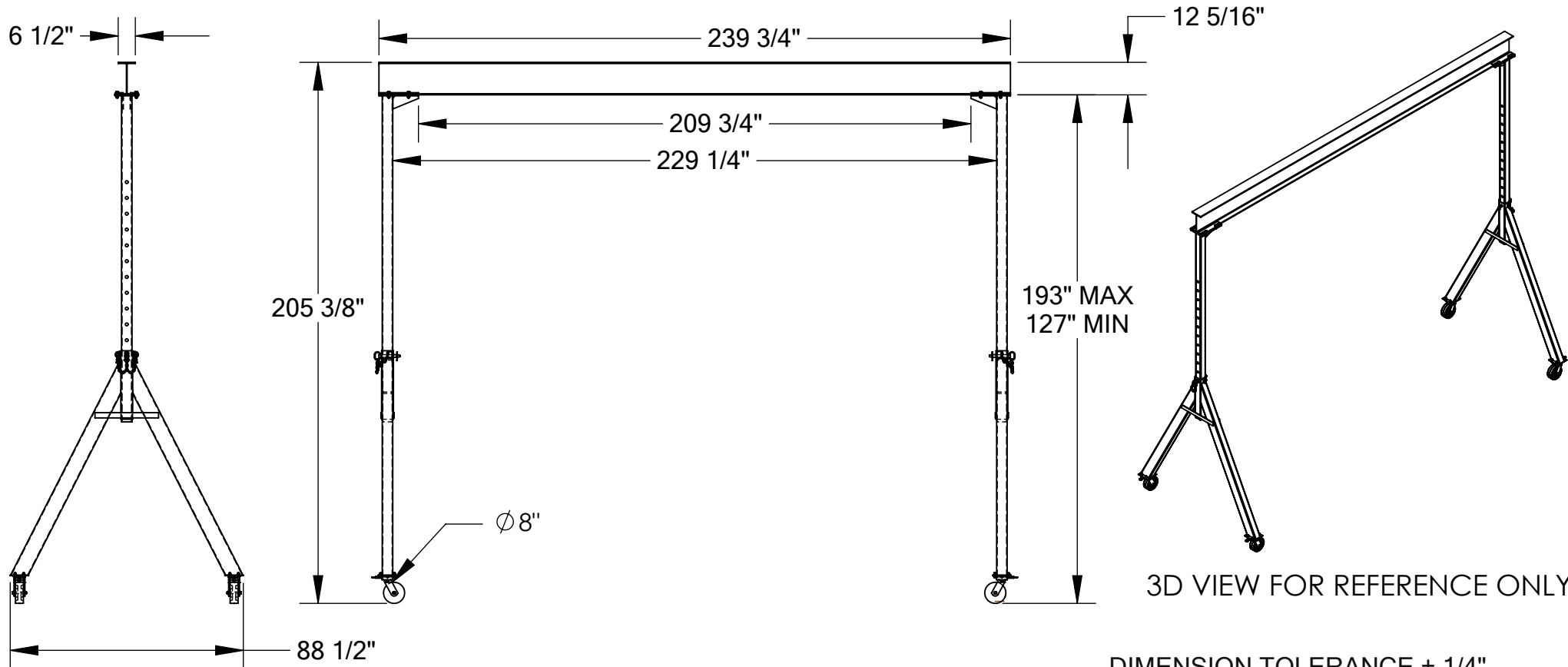


ADJUSTABLE STEEL GANTRY CRANE - AHS-8-20-16

APPROX WEIGHT: 1486.27 lbs.
DOES NOT INCLUDE WEIGHT OF POWER OR PACKAGING!!!

*** ANY ADDITIONS, DELETIONS, OR OMISSIONS MUST BE CORRECTED ON THIS DRAWING AS THIS DRAWING WILL BE CONSIDERED ALL INCLUSIVE ***

ALL GRAPHICS PROVIDED ARE FOR REFERENCE ONLY. IF CERTAIN DIMENSIONS ARE CRITICAL PLEASE VERIFY THOSE DIMENSIONS WITH YOUR SALESPERSON



STANDARD FEATURES

MODEL NUMBER IS AHS-8-20-16
CAPACITY IS 8,000 LBS.
BASE WIDTH IS 88 1/2"
MAX OVERALL HEIGHT IS 205 3/8"
I-BEAM HEIGHT IS 12 5/16"
I-BEAM FLANGE WIDTH IS 6 1/2"
OVERALL I-BEAM LENGTH IS 239 3/4"
USABLE I-BEAM LENGTH IS 209 3/4"
ADJUSTABLE UNDER I-BEAM HEIGHT
193" MAX
127" MIN
HEIGHT IS ADJUSTABLE IN 6" INCREMENTS
CASTERS: (4) Ø8" X 3" WIDE PHENOLIC
SWIVEL CASTERS WITH FOUR
LOCKING POSITIONS

STANDARD FEATURES

NONE

DIMENSION TOLERANCE ± 1/4"

APPROVAL

I, THE UNDERSIGNED, AGREE THAT THE PRODUCT AS REPRESENTED SATISFIES DESIGN AND DIMENSION REQUIREMENTS. I ALSO ACKNOWLEDGE MY DUTY TO CONFIRM PRODUCT AND INSTALLATION COMPLIANCE WITH ALL APPLICABLE FEDERAL, STATE AND LOCAL REGULATIONS AND STANDARDS.

ANY MODIFIED UNITS ARE NON-RETURNABLE

[] As drawn [] As marked

Signed: _____ Date: _____

Printed Name: _____

LEAD TIME WILL START UPON RECEIPT OF SIGNED APPROVAL DRAWING

FOR INTERNAL USE ONLY PROJECT SIGN OFF	
SALES	
ENG.	
FAB.	
POWER	

DISTRIBUTOR'S NAME:		P.O.#
VESTIL MANUFACTURING		X
DRAWN BY: ND		W.O.#
DATE: 10/01/2009		X
REFERENCE: X	SCALE: 1:56	SALES: X
QUOTED LEAD TIME: X	QUOTE #	FILE NAME:
	X	28-007-177