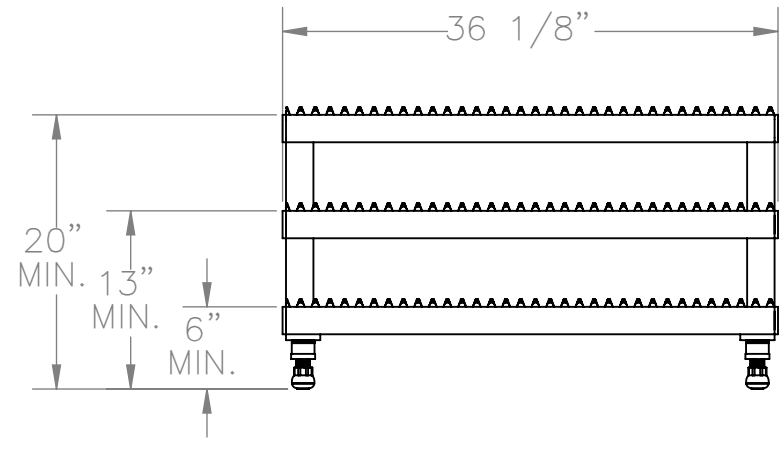
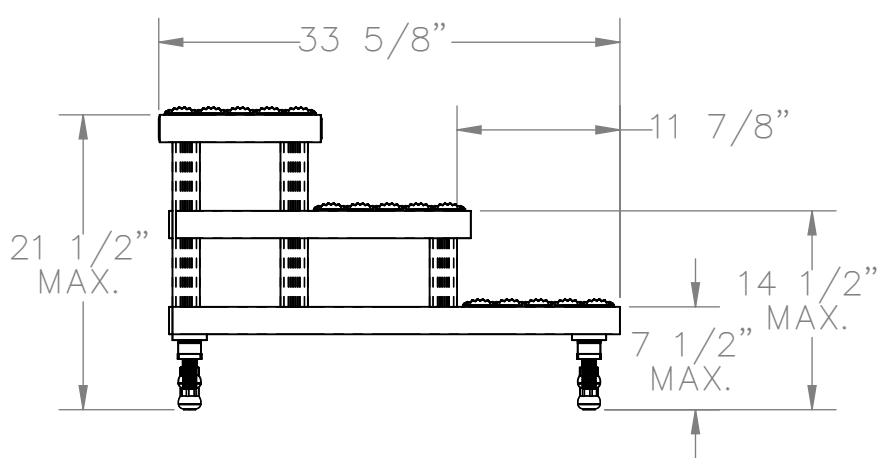
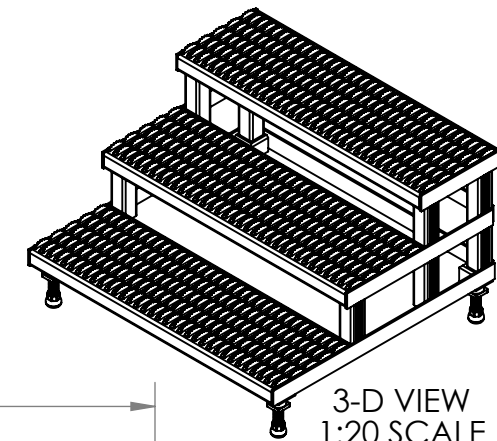


ADJUSTABLE STEP-MATE STAND, ALUMINUM - ASP-36-3-A

APPROX WEIGHT: 73.70 lbs.
DOES NOT INCLUDE WEIGHT OF POWER OR PACKAGING!!!

*** ANY ADDITIONS, DELETIONS, OR OMISSIONS MUST BE CORRECTED ON THIS DRAWING AS THIS DRAWING WILL BE CONSIDERED ALL INCLUSIVE ***

ALL GRAPHICS PROVIDED ARE FOR REFERENCE ONLY. IF CERTAIN DIMENSIONS ARE CRITICAL PLEASE VERIFY THOSE DIMENSIONS WITH YOUR SALESPERSON



DIMENSION TOLERANCE $\pm 1/4$ "

STANDARD FEATURES

- MODEL NUMBER IS ASP-36-3-A
- CAPACITY: 500 LBS
- OVERALL WIDTH: 36 1/8"
- OVERALL LENGTH: 33 5/8"
- BOTTOM STEP HEIGHT: MIN. 6", MAX. 7 1/2"
- MIDDLE STEP HEIGHT: MIN. 13", MAX. 14 1/2"
- TOP STEP HEIGHT: MIN. 20", MAX. 21 1/2"
- STEPS:
 - SERRATED ALUMINUM 11 7/8" DEEP
- LEGS:
 - ADJUSTABLE
 - ANTI-SLIP TIPS
- ALUMINUM PLATFORM WITH POWDER COATED STEEL LEGS

SPECIAL FEATURES

NONE

APPROVAL

I, THE UNDERSIGNED, AGREE THAT THE PRODUCT AS REPRESENTED SATISFIES DESIGN AND DIMENSION REQUIREMENTS. I ALSO ACKNOWLEDGE MY DUTY TO CONFIRM PRODUCT AND INSTALLATION COMPLIANCE WITH ALL APPLICABLE FEDERAL, STATE AND LOCAL REGULATIONS AND STANDARDS.

ANY MODIFIED UNITS ARE NON-RETURNABLE

[] As drawn [] As marked

Signed: _____ Date: _____

Printed Name: _____

LEAD TIME WILL START UPON RECEIPT OF SIGNED APPROVAL DRAWING

FOR INTERNAL USE ONLY PROJECT SIGN OFF	
SALES	
ENG.	
FAB.	
POWER	

DISTRIBUTOR'S NAME:		P.O.#
VESTIL MANUFACTURING		X
DRAWN BY: BJW	DATE: 5/21/2012	W.O.#
REFERENCE: X	SCALE: 1:14	X
QUOTED LEAD TIME: X	QUOTE #	FILE NAME:
	X	14-007-162