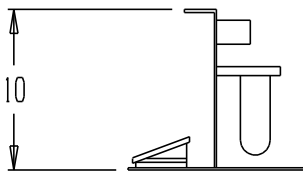
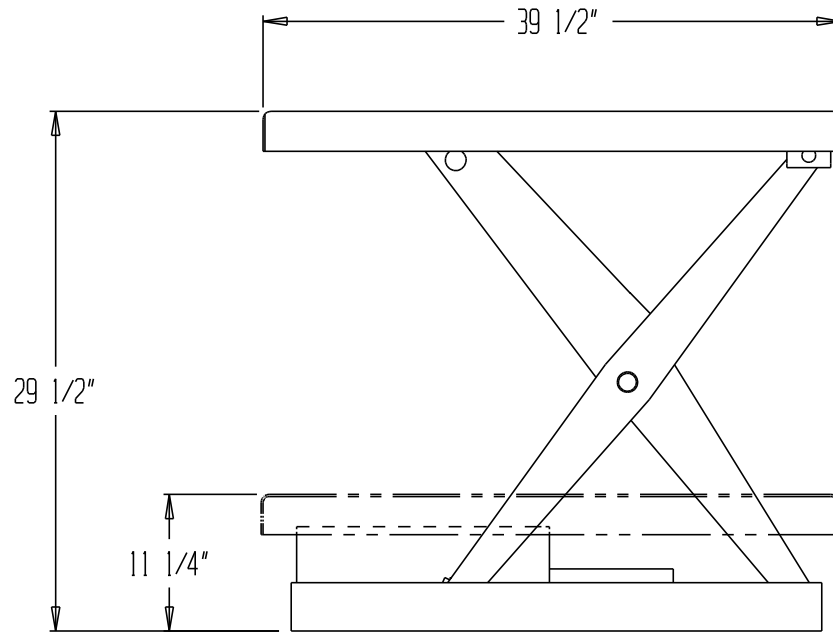
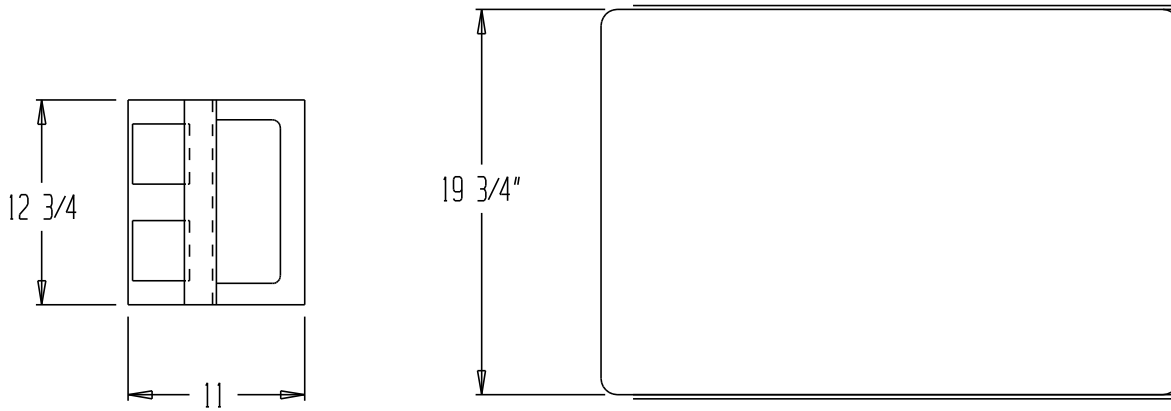


# PNEUMATIC SCISSOR LIFT TABLE, AT-10



FOOT CONTROL  
(W/ FILTER REGULATOR)

## STANDARD FEATURES

- MODEL NUMBER: AT-10
- CAPACITY: 200 LBS.
- PLATFORM WIDTH: 19 1/2"
- PLATFORM LENGTH: 39 1/2"
- FRAME WIDTH: 19 1/4"
- FRAME LENGTH: 39 1/2"
- RAISED HEIGHT: 29 1/2"
- LOWERED HEIGHT: 11 1/4"
- COLOR: BLUE
- AIR POWERED
- OPERATION: FOOT CONTROL W/ 20" HOSE

## SPECIAL FEATURES

NONE

PRODUCTION WILL START UPON  
RECEIPT OF SIGNED APPROVAL  
DRAWING

\*\*SPECIAL UNITS ARE NON-RETURNABLE  
\*AVAILABLE AT ADDITIONAL COSTS

All graphics provided are for reference only.  
If certain dimensions are critical please  
verify those dimensions with your salesperson

**A  
P  
P  
R  
O  
V  
A  
L**

I, THE UNDERSIGNED, AGREE THAT THE PRODUCT AS REPRESENTED SATISFIES DESIGN & DIMENSION REQUIREMENTS. I ALSO ACKNOWLEDGE MY DUTY TO CONFIRM PRODUCT & INSTALLATION COMPLIANCE WITH ALL APPLICABLE FEDERAL, STATE AND LOCAL REGULATIONS & STANDARDS.

**UNITS REQUIRING APPROVAL DRAWINGS OR MODIFIED ARE NON-RETURNABLE**  
[ ] As drawn [ ] As marked

Signed: \_\_\_\_\_ Date: \_\_\_\_\_  
Printed Name \_\_\_\_\_  
LEAD TIME WILL START UPON RECEIPT OF SIGNED APPROVAL DRAWING

DISTRIBUTOR'S NAME: <b>VESTIL MANUFACTURING</b>		P.O.#: -
DRAWN BY: -		DATE: 3-25-14
REFERENCE: -		SCALE: 1:40
QUOTED LEADTIME: -		QUOTE #: -
		SALES: -
		DRWG. FILE NAME: AT-10