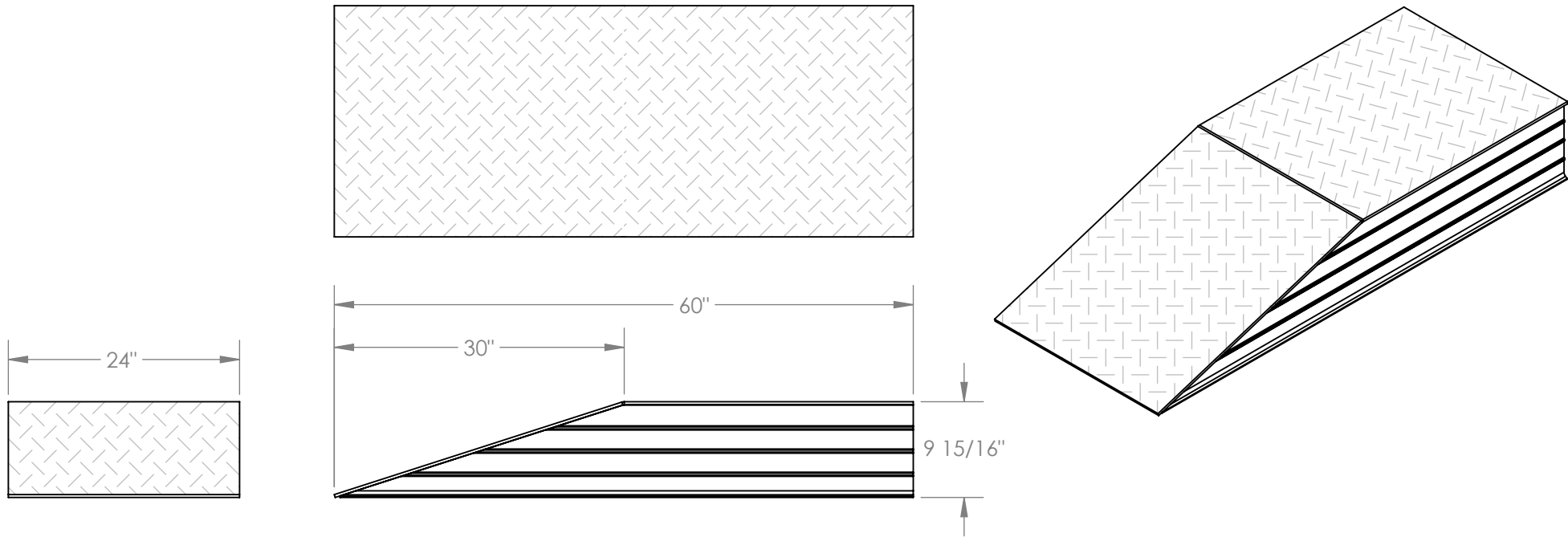


# ALUMINUM WHEEL RISER - ATWR-24-10-60

APPROX WEIGHT: 98.98 lbs.  
 DOES NOT INCLUDE WEIGHT OF POWER OR PACKAGING!!!

\*\*\* ANY ADDITIONS, DELETIONS, OR OMISSIONS MUST BE CORRECTED ON THIS DRAWING AS THIS DRAWING WILL BE CONSIDERED ALL INCLUSIVE \*\*\*

ALL GRAPHICS PROVIDED ARE FOR REFERENCE ONLY. IF CERTAIN DIMENSIONS ARE CRITICAL PLEASE VERIFY THOSE DIMENSIONS WITH YOUR SALESPERSON



## STANDARD FEATURES

- MODEL NUMBER IS ATWR-24-10-60
- OVERALL WIDTH IS 24"
- OVERALL LENGTH IS 60"
- OVERALL HEIGHT IS 9 15/16"
- ANGLED APPROACH LENGTH IS 30"
- MAX UNIFORM CAPACITY IS 30,000 LBS PER PAIR (SOLD EACH)
- ALL WELDED ALUMINUM CONSTRUCTION
- HEAVY DUTY ALUMINUM TREAD PLATE TOP SURFACES

## SPECIAL FEATURES

NONE

DIMENSION TOLERANCE ± 1/4"

A P P R O V A L	I, THE UNDERSIGNED, AGREE THAT THE PRODUCT AS REPRESENTED SATISFIES DESIGN AND DIMENSION REQUIREMENTS. I ALSO ACKNOWLEDGE MY DUTY TO CONFIRM PRODUCT AND INSTALLATION COMPLIANCE WITH ALL APPLICABLE FEDERAL, STATE AND LOCAL REGULATIONS AND STANDARDS.	
	<b>ANY MODIFIED UNITS ARE NON-RETURNABLE</b>	
	[ ] As drawn      [ ] As marked	
	Signed: _____ Date: _____	
Printed Name: _____		LEAD TIME WILL START UPON RECEIPT OF SIGNED APPROVAL DRAWING

FOR INTERNAL USE ONLY PROJECT SIGN OFF	
SALES	
ENG.	
FAB.	
POWER	

DISTRIBUTOR'S NAME:		P.O.#
VESTIL MANUFACTURING		X
DRAWN BY:	DATE:	W.O.#
MTS	9/24/13	X
REFERENCE:	SCALE:	FILE NAME:
X	1:16	18-007-166
QUOTED LEAD TIME:	QUOTE #	
X	X	