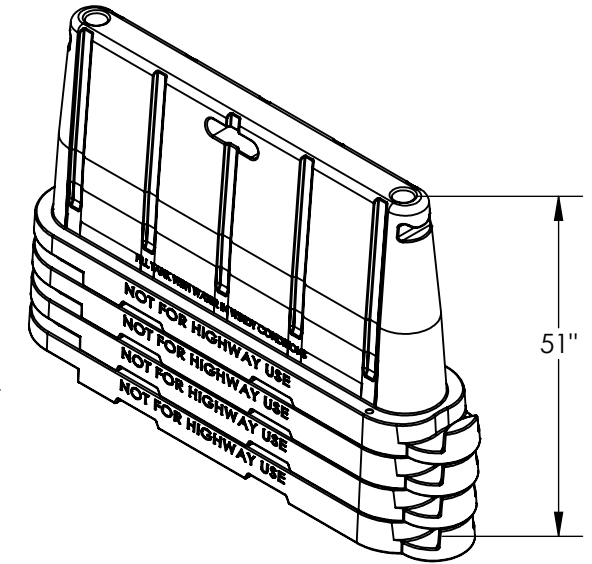
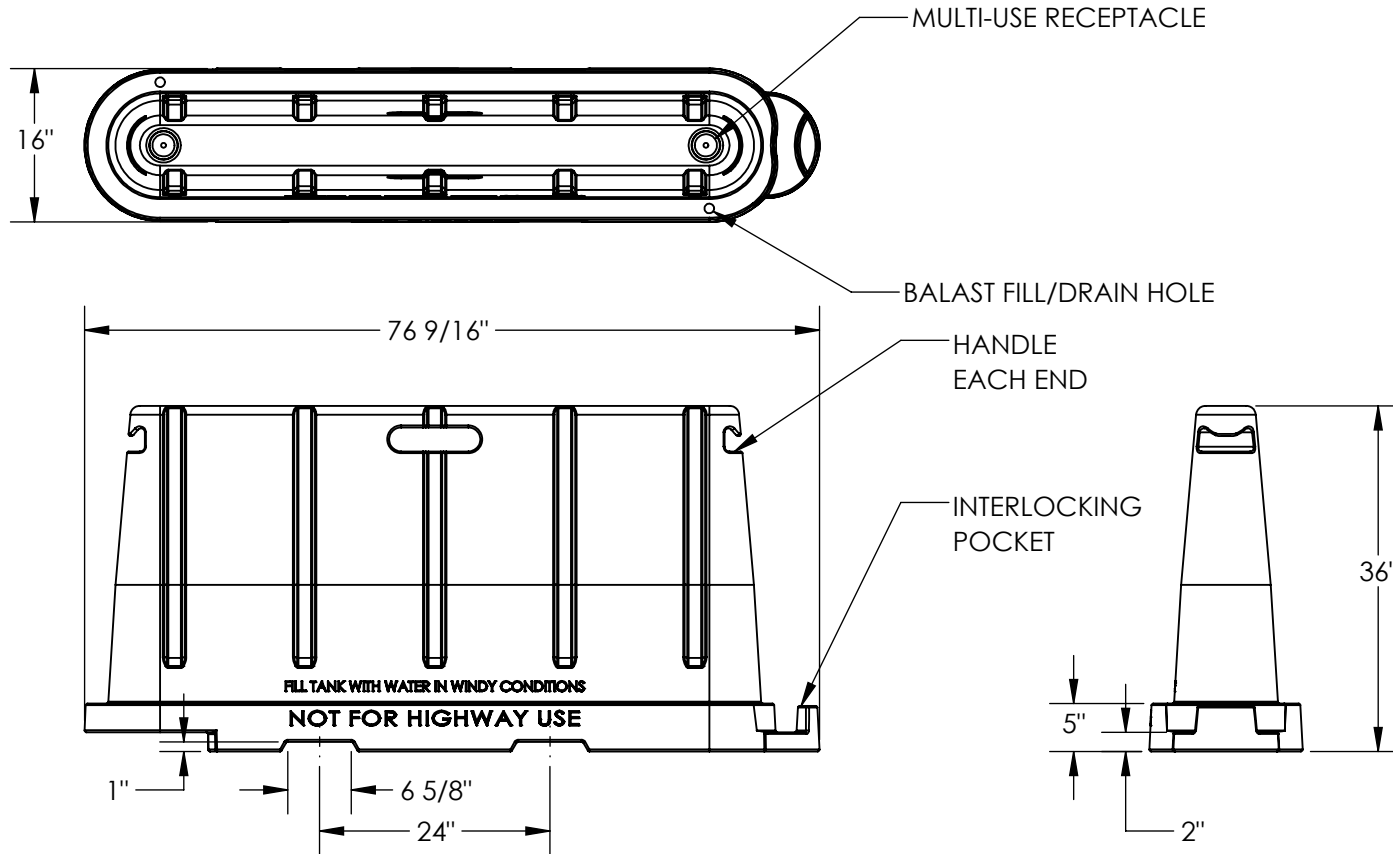


# STACKABLE BARRICADES - BCD-7636-BL

APPROX WEIGHT: 34.89 lbs.  
DOES NOT INCLUDE WEIGHT OF POWER OR PACKAGING!!!

\*\*\* ANY ADDITIONS, DELETIONS, OR OMISSIONS MUST BE CORRECTED ON THIS DRAWING AS THIS DRAWING WILL BE CONSIDERED ALL INCLUSIVE \*\*\*

ALL GRAPHICS PROVIDED ARE FOR REFERENCE ONLY. IF CERTAIN DIMENSIONS ARE CRITICAL PLEASE VERIFY THOSE DIMENSIONS WITH YOUR SALESPERSON



NOTE: ISOMETRIC VIEW OF STACKED BARRICADES FOR REFERENCE ONLY

DIMENSION TOLERANCE ± 1/4"

## STANDARD FEATURES

- MODEL NUMBER IS BCD-7636-BL
- OVERALL LENGTH IS 76 9/16"
- OVERALL WIDTH IS 16"
- OVERALL HEIGHT IS 36"
- COLOR IS SAFETY BLUE
- EFFECTIVE LENGTH WHEN CONNECTED IS 72"
- MATERIAL IS VIRGIN POLYETHYLENE WITH UV STABILIZER
- INTERLOCKING DESIGN ALLOWS FOR CORNERS UP TO 90°
- BALAST CAN BE FILLED WITH UP TO 5.4 GAL OF WATER OR SAND
- STACKABLE AS HIGH AS CONVENIENT
- 42 BARRICADES FIT ON A SINGLE PALLET

## SPECIAL FEATURES

NONE

<b>APPROVAL</b>	I, THE UNDERSIGNED, AGREE THAT THE PRODUCT AS REPRESENTED SATISFIES DESIGN AND DIMENSION REQUIREMENTS. I ALSO ACKNOWLEDGE MY DUTY TO CONFIRM PRODUCT AND INSTALLATION COMPLIANCE WITH ALL APPLICABLE FEDERAL, STATE AND LOCAL REGULATIONS AND STANDARDS.	
	<b>ANY MODIFIED UNITS ARE NON-RETURNABLE</b>	
	[ ] As drawn      [ ] As marked	
Signed: _____		Date: _____
Printed Name: _____		
LEAD TIME WILL START UPON RECEIPT OF SIGNED APPROVAL DRAWING		

FOR INTERNAL USE ONLY PROJECT SIGN OFF	
SALES	
ENG.	
FAB.	
POWER	

DISTRIBUTOR'S NAME:		P.O.#
VESTIL MANUFACTURING		X
DRAWN BY: SJA		W.O.#
DATE: 09/12/2014		X
REFERENCE: X	SCALE: 1:20	SALES: X
QUOTED LEAD TIME: X	QUOTE #	FILE NAME:
	X	29-007-245-004