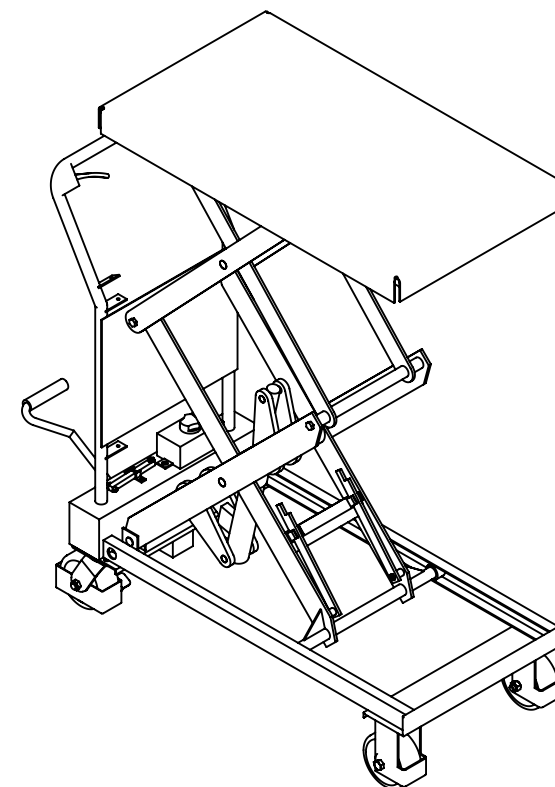
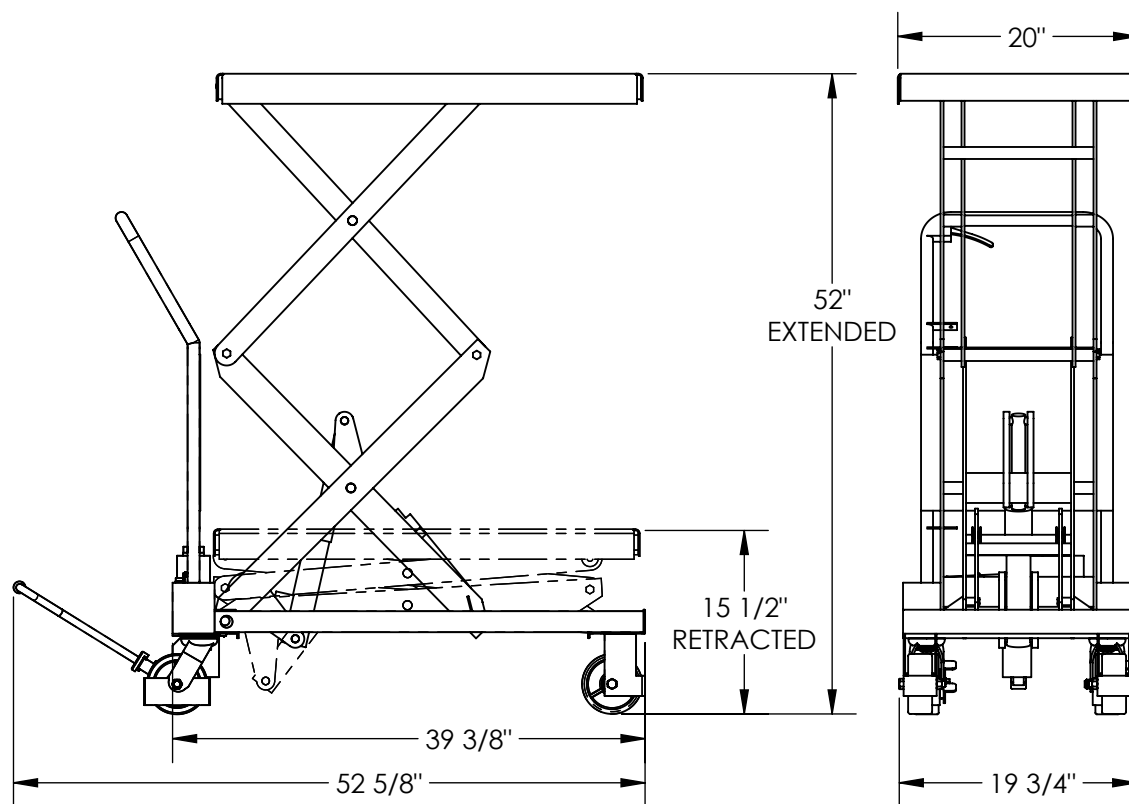


FOOT PUMP SCISSOR TABLE - CART-800-D-TS

APPROX WEIGHT: 283.63 lbs.
 DOES NOT INCLUDE WEIGHT OF POWER OR PACKAGING!!!

*** ANY ADDITIONS, DELETIONS, OR OMISSIONS MUST BE CORRECTED ON THIS DRAWING AS THIS DRAWING WILL BE CONSIDERED ALL INCLUSIVE ***
 ALL GRAPHICS PROVIDED ARE FOR REFERENCE ONLY. IF CERTAIN DIMENSIONS ARE CRITICAL PLEASE VERIFY THOSE DIMENSIONS WITH YOUR SALESPERSON



DIMENSION TOLERANCE ± 1/4"

STANDARD FEATURES

MODEL NUMBER IS CART-800-D-TS
 PLATFORM WIDTH: 20"
 PLATFORM LENGTH: 35 1/2"
 UNIFORM CAPACITY: 800 LBS
 RAISED HEIGHT: 52"
 LOWERED HEIGHT: 15"
 # OF PUMPS AT HIGH/LOW SPEED
 -HIGH: 12 PUMPS
 -LOW: 39 PUMPS

SPECIAL FEATURES

NONE

A P P R O V A L

I, THE UNDERSIGNED, AGREE THAT THE PRODUCT AS REPRESENTED SATISFIES DESIGN AND DIMENSION REQUIREMENTS. I ALSO ACKNOWLEDGE MY DUTY TO CONFIRM PRODUCT AND INSTALLATION COMPLIANCE WITH ALL APPLICABLE FEDERAL, STATE AND LOCAL REGULATIONS AND STANDARDS.
ALL SPECIAL UNITS ARE NON-RETURNABLE
 As drawn As marked

Signed: _____ Date: _____

LEAD TIME WILL START UPON RECEIPT OF SIGNED APPROVAL DRAWING

DISTRIBUTOR'S NAME:		P.O.#
VESTIL MANUFACTURING		X
DRAWN BY: WHR		DATE: 08/09/12
REFERENCE: X		SCALE: 1:16
QUOTED LEAD TIME: X		QUOTE # X
		FILE NAME: 01-007-113