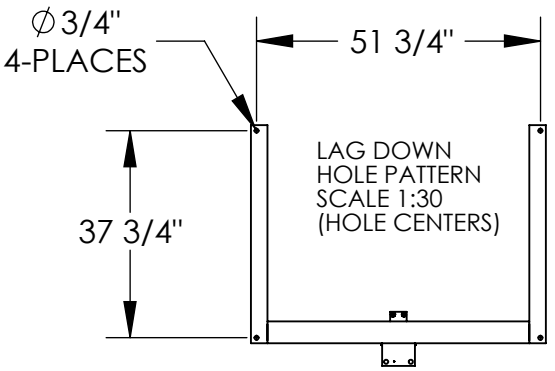
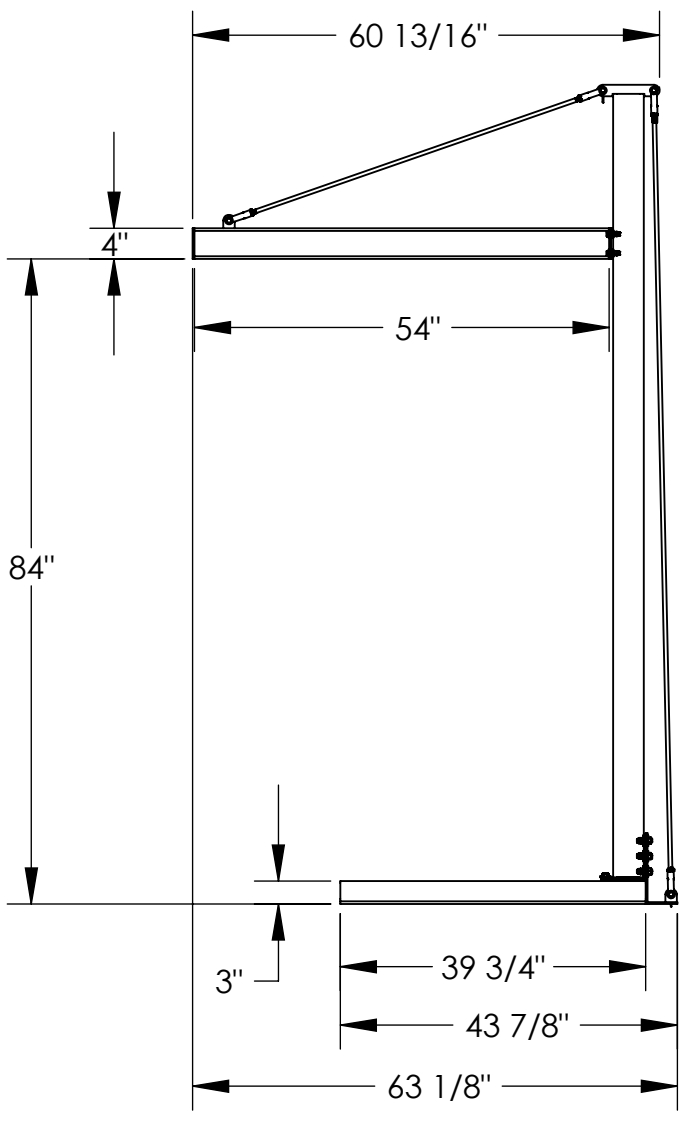
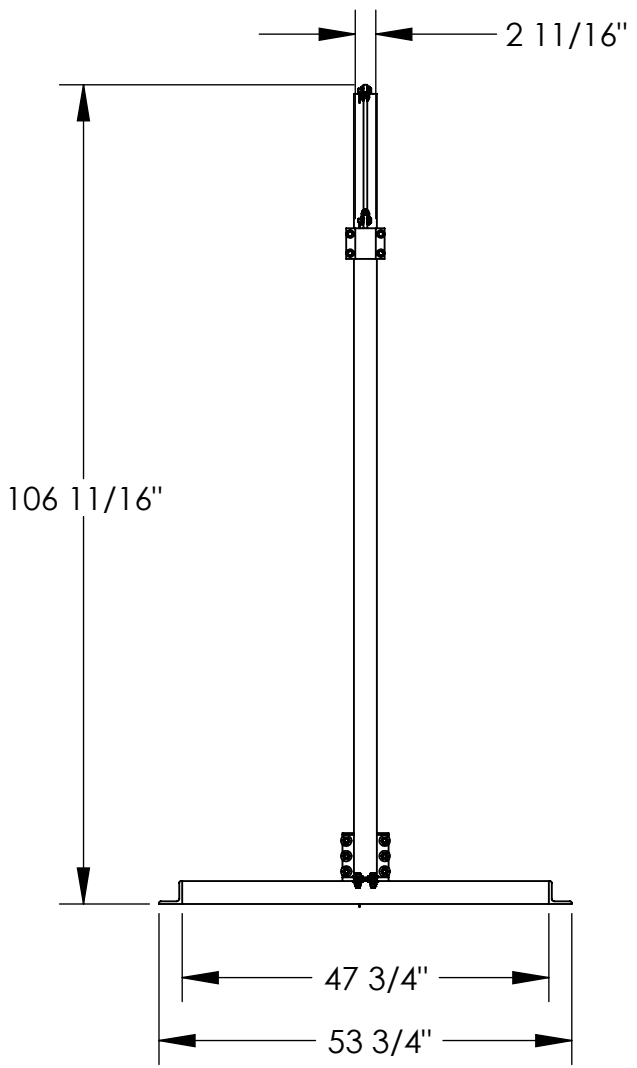


MINI OVERHEAD CANTILEVER JIB - CJIB-6

APPROX WEIGHT: 241.36 lbs.
 DOES NOT INCLUDE WEIGHT OF POWER OR PACKAGING!!!

*** ANY ADDITIONS, DELETIONS, OR OMISSIONS MUST BE CORRECTED ON THIS DRAWING AS THIS DRAWING WILL BE CONSIDERED ALL INCLUSIVE ***
 ALL GRAPHICS PROVIDED ARE FOR REFERENCE ONLY. IF CERTAIN DIMENSIONS ARE CRITICAL PLEASE VERIFY THOSE DIMENSIONS WITH YOUR SALESPERSON



NOTE:

SPECIAL FOUNDATION MAY BE REQUIRED: SEE OWNERS MANUAL FOR DETAILS

DIMENSION TOLERANCE ± 1/4"

STANDARD FEATURES

- MODEL NUMBER IS CJIB-6
- CAPACITY IS 600 LBS.
- OVERALL WIDTH IS 53 3/4"
- STRADDLE WIDTH IS 47 3/4"
- OVERALL LENGTH IS 63 1/8"
- USABLE I-BEAM LENGTH IS 54"
- OVERALL HEIGHT IS 106 11/16"
- UNDER I-BEAM TO GROUND IS 84"
- TOUGH BAKED IN POWDER COAT BLUE FINISH
- I-BEAM SIZE IS 4" HEIGHT X 2 11/16" FLANGE WIDTH

SPECIAL FEATURES

NONE

I, THE UNDERSIGNED, AGREE THAT THE PRODUCT AS REPRESENTED SATISFIES DESIGN AND DIMENSION REQUIREMENTS. I ALSO ACKNOWLEDGE MY DUTY TO CONFIRM PRODUCT AND INSTALLATION COMPLIANCE WITH ALL APPLICABLE FEDERAL, STATE AND LOCAL REGULATIONS AND STANDARDS.

UNITS REQUIRING APPROVAL DRAWINGS OR MODIFIED ARE NON-RETURNABLE

[] As drawn [] As marked

Signed: _____ Date: _____

Printed Name: _____

LEAD TIME WILL START UPON RECEIPT OF SIGNED APPROVAL DRAWING

APPROVAL	DISTRIBUTOR'S NAME:		P.O.#
	VESTIL MANUFACTURING		X
	DRAWN BY: ND		DATE: 1/30/2009
	DATE: 1/30/2009		SALES: X
REFERENCE: X		SCALE: 1:25	FILE NAME:
QUOTED LEAD TIME: X		QUOTE # X	28-007-042-001