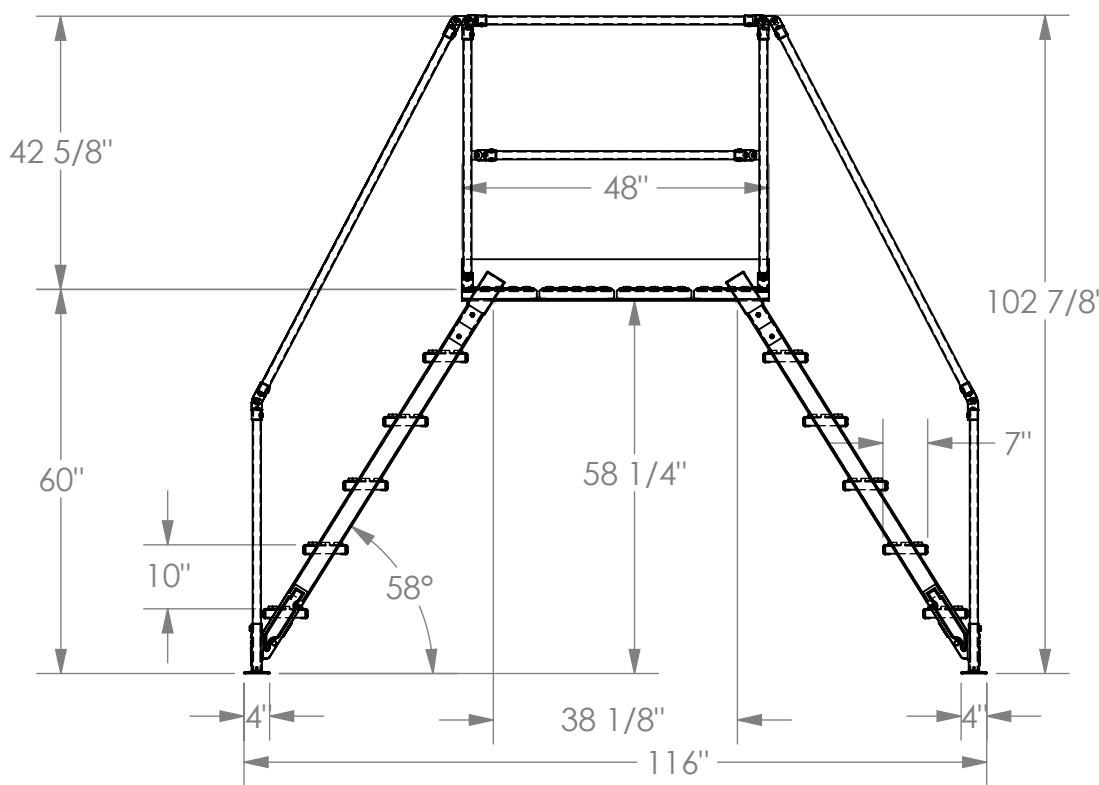
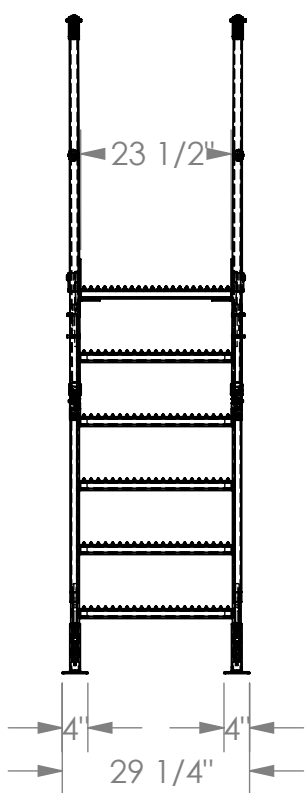


# CROSS-OVER LADDER - COL-6-56-33

APPROX WEIGHT: 426.53 lbs.  
 DOES NOT INCLUDE WEIGHT OF POWER OR PACKAGING!!!

\*\*\* ANY ADDITIONS, DELETIONS, OR OMISSIONS MUST BE CORRECTED ON THIS DRAWING AS THIS DRAWING WILL BE CONSIDERED ALL INCLUSIVE \*\*\*

ALL GRAPHICS PROVIDED ARE FOR REFERENCE ONLY. IF CERTAIN DIMENSIONS ARE CRITICAL PLEASE VERIFY THOSE DIMENSIONS WITH YOUR SALESPERSON



DIMENSION TOLERANCE ± 1/4"

## STANDARD FEATURES

- MODEL NUMBER: COL-6-56-33
- OVERALL SIZE:  
29 1/4" W x 116" L x 102 7/8" H
- CLEARANCE SPAN:  
38 1/8" W x 58 1/4" H
- TOP PLATFORM HEIGHT: 60"
- STEP HEIGHT SPACING: 10"
- STEP DEPTH: 7"
- STEP & PLATFORM WIDTH 23 1/2"
- CLIMB ANGLE: 58°
- ALL STEPS & PLATFORM ARE  
SERRATED STEEL
- KNOCK-DOWN HANDRAILING  
(UNIT SHIPS KNOCKED DOWN,  
ASSEMBLY REQUIRED)

## SPECIAL FEATURES

NONE

## NOTE

- UNIT MUST BE ANCHORED TO  
THE FLOOR!!!
- Ø7/16" MOUNTING HOLES
- 8 TOTAL MOUNTING HOLES PER  
STANDARD UNIT
- 2 MOUNTING HOLES PER CORNER  
BRACKET

FOR INTERNAL USE ONLY PROJECT SIGN OFF	
SALES	
ENG.	
FAB.	
POWER	

**APPROVAL**

I, THE UNDERSIGNED, AGREE THAT THE PRODUCT AS REPRESENTED SATISFIES DESIGN AND DIMENSION REQUIREMENTS. I ALSO ACKNOWLEDGE MY DUTY TO CONFIRM PRODUCT AND INSTALLATION COMPLIANCE WITH ALL APPLICABLE FEDERAL, STATE AND LOCAL REGULATIONS AND STANDARDS.

**ANY MODIFIED UNITS ARE NON-RETURNABLE**

[ ] As drawn      [ ] As marked

Signed: \_\_\_\_\_ Date: \_\_\_\_\_

Printed Name: \_\_\_\_\_

*LEAD TIME WILL START UPON RECEIPT OF SIGNED APPROVAL DRAWING*

DISTRIBUTOR'S NAME:		P.O.#
VESTIL MANUFACTURING		X
		W.O.#
DRAWN BY: BCN		X
DATE: 4/29/2016		SALES: X
REFERENCE: X	SCALE: 1:30	FILE NAME:
QUOTED LEAD TIME: X	QUOTE #	44-007-072
	X	