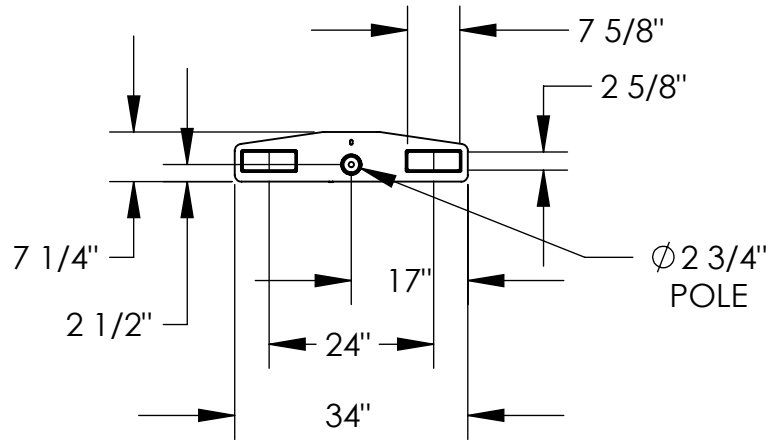


FORK MOUNTED RUG-RAM - CRF-120

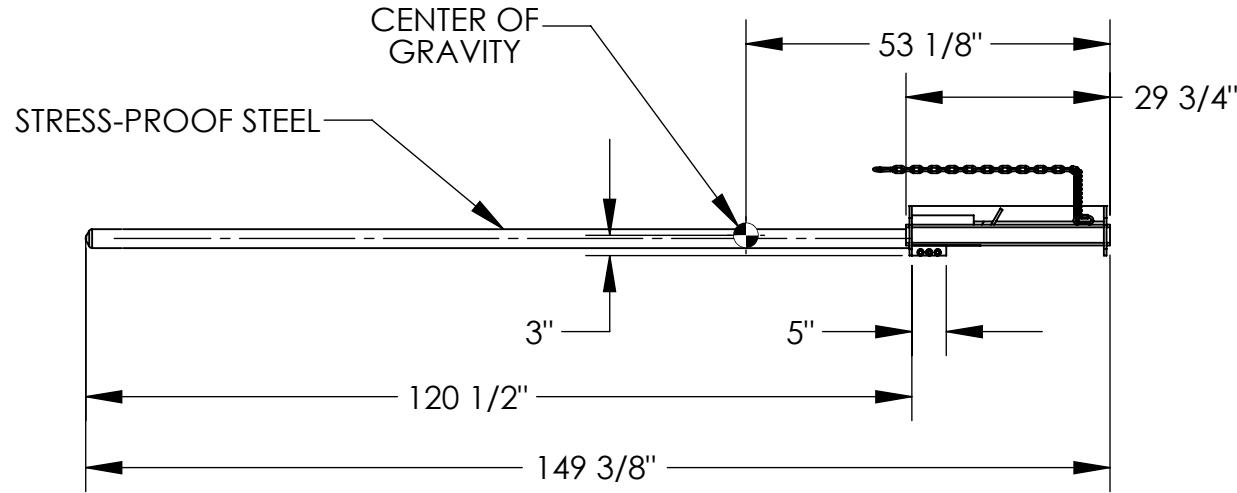
APPROX WEIGHT: 396.54 lbs.
DOES NOT INCLUDE WEIGHT OF POWER OR PACKAGING!!!

*** ANY ADDITIONS, DELETIONS, OR OMISSIONS MUST BE CORRECTED ON THIS DRAWING AS THIS DRAWING WILL BE CONSIDERED ALL INCLUSIVE ***

ALL GRAPHICS PROVIDED ARE FOR REFERENCE ONLY. IF CERTAIN DIMENSIONS ARE CRITICAL PLEASE VERIFY THOSE DIMENSIONS WITH YOUR SALESPERSON



HORIZONTAL CENTER OF GRAVITY: 53 1/8"
VERTICAL CENTER OF GRAVITY: 3"
LOST LOAD: 396 LBS. (APPROX.)



POLE DIMENSION TOLERANCE $\pm 1/2$ "

SAFETY RESTRAINT
CHAIN TO SECURE
UNIT TO FORK TRUCK

3-D VIEW
FOR REFERENCE

NOTE: NEVER EXCEED LOAD CENTER RATING PER
FORK TRUCK MANUFACTURER'S GUIDELINES.
DO NOT USE THIS FORK TRUCK ATTACHMENT
IF LOAD WILL EXCEED FORK TRUCK
MANUFACTURER'S LOAD CENTER RATING.

A P P R O V A L	I, THE UNDERSIGNED, AGREE THAT THE PRODUCT AS REPRESENTED SATISFIES DESIGN AND DIMENSION REQUIREMENTS. I ALSO ACKNOWLEDGE MY DUTY TO CONFIRM PRODUCT AND INSTALLATION COMPLIANCE WITH ALL APPLICABLE FEDERAL, STATE AND LOCAL REGULATIONS AND STANDARDS.	
	ANY MODIFIED UNITS ARE NON-RETURNABLE	
	[] As drawn [] As marked	
	Signed: _____	Date: _____
Printed Name: _____		
LEAD TIME WILL START UPON RECEIPT OF SIGNED APPROVAL DRAWING		

DISTRIBUTOR'S NAME:		P.O.#
VESTIL MANUFACTURING		X
		W.O.#
SALES	DATE: 1/12/2008	X
ENG.	DRAWN BY: BJW	SALES: X
FAB.	REFERENCE: X	SCALE: 1:28
POWER	QUOTED LEAD TIME: X	FILE NAME: 08-007-157
	QUOTE # X	

FOR INTERNAL USE ONLY PROJECT SIGN OFF	
SALES	
ENG.	
FAB.	
POWER	

STANDARD FEATURES

- MODEL NUMBER: CRF-120
- CAPACITY: 2,200 LBS. UNIFORM CAPACITY
- POLE LENGTH: 120 1/2"
- OVERALL LENGTH: 149 3/8"
- POLE DIAMETER: 2 3/4"
- FORK POCKETS ARE 7 5/8" W x 2 5/8" H
- USABLE ON 24" FORK CENTERS
- WITH SAFETY CHAIN TO SECURE TO THE UNIT TO THE MAST OF THE FORK TRUCK
- DURABLE LIQUID PAINT
- BLUE FINISH ON FRAME

SPECIAL FEATURES

NONE