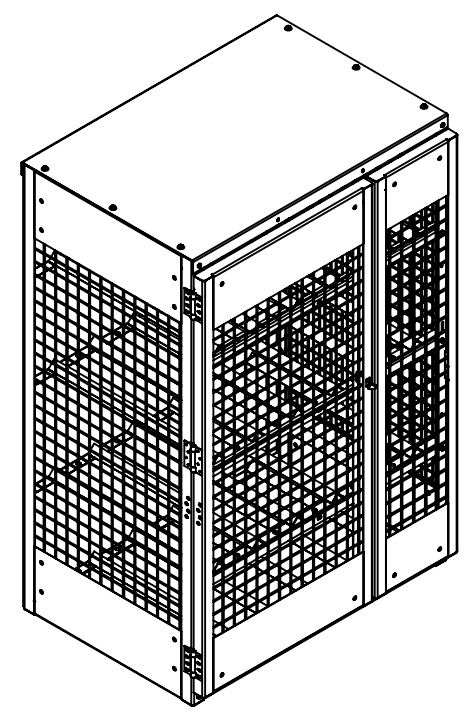
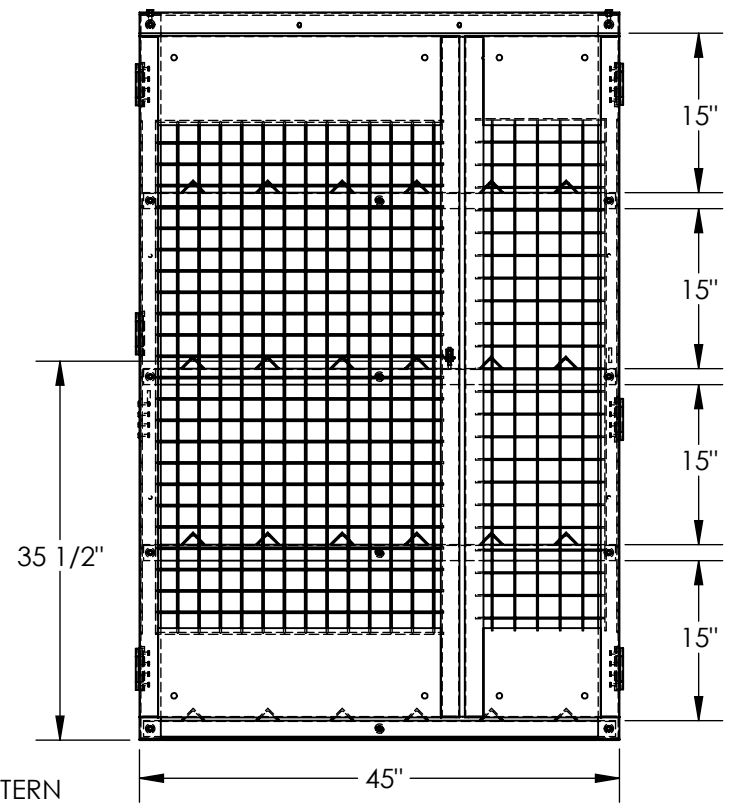
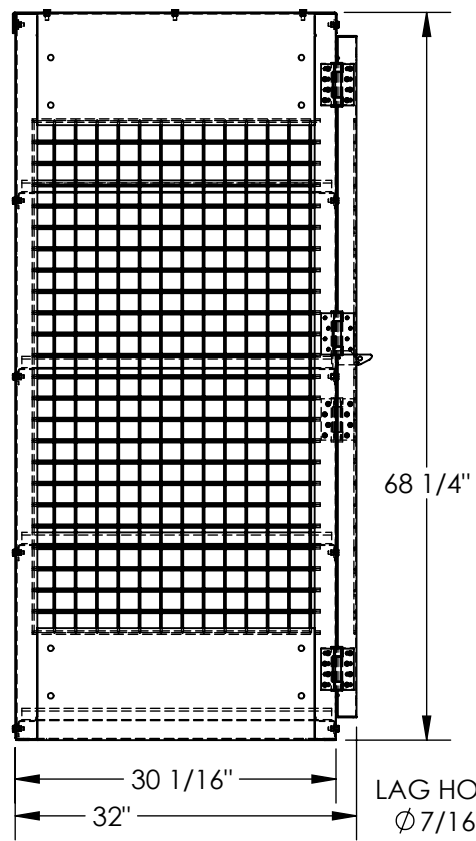


KNOCK DOWN HORIZONTAL CYLINDER STORAGE CABINET - CYL-H-12-KD APPROX WEIGHT: 342.2209 DOES NOT INCLUDE WEIGHT OF POWER OR PACKAGING!!!

*** ANY ADDITIONS, DELETIONS, OR OMISSIONS MUST BE CORRECTED ON THIS DRAWING AS THIS DRAWING WILL BE CONSIDERED ALL INCLUSIVE ***
ALL GRAPHICS PROVIDED ARE FOR REFERENCE ONLY. IF CERTAIN DIMENSIONS ARE CRITICAL PLEASE VERIFY THOSE DIMENSIONS WITH YOUR SALESPERSON



LAG HOLE PATTERN
Ø 7/16" X 3/4" LG
SLOT
4-PLACES

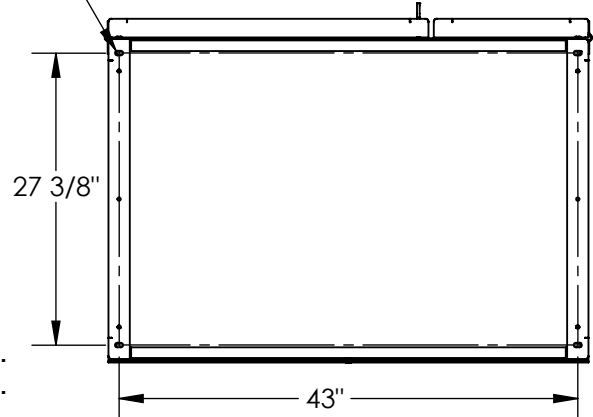
DIMENSION TOLERANCE ± 1/4"

STANDARD FEATURES

- MODEL NUMBER IS CYL-H-12-KD
- OVERALL WIDTH IS 45"
- OVERALL LENGTH IS 32"
- OVERALL HEIGHT IS 68 1/4"
- MAX CAPACITY IS 12 CYLINDERS
- SHELF UNIFORM CAPACITY IS 110 LBS.
- TOTAL UNIFORM CAPACITY IS 440 LBS.
- DOORS ARE BOLTED ON TO UNIT
- TOUGH BAKED IN POWDER COATED YELLOW FINISH
- INCLUDES RED LETTER SIGNAGE "FLAMMABLE NO SMOKING" (NOT SHOWN)
- INCLUDES LAG HOLES (LAG HARDWARE NOT INCLUDED)

SPECIAL FEATURES

NONE



APPROVAL

I, THE UNDERSIGNED, AGREE THAT THE PRODUCT AS REPRESENTED SATISFIES DESIGN AND DIMENSION REQUIREMENTS. I ALSO ACKNOWLEDGE MY DUTY TO CONFIRM PRODUCT AND INSTALLATION COMPLIANCE WITH ALL APPLICABLE FEDERAL, STATE AND LOCAL REGULATIONS AND STANDARDS.

UNITS REQUIRING APPROVAL DRAWINGS OR MODIFIED ARE NON-RETURNABLE

As drawn As marked

Signed: _____ Date: _____

Printed Name: _____

LEAD TIME WILL START UPON RECEIPT OF SIGNED APPROVAL DRAWING

DISTRIBUTOR'S NAME:		P.O.#
VESTIL MANUFACTURING		X
DRAWN BY: CA		W.O.#
DATE: 05/24/2021		X
REFERENCE: X	SCALE: 1:18	SALES: X
QUOTED LEAD TIME: X	QUOTE #	FILE NAME:
	X	31-007-087