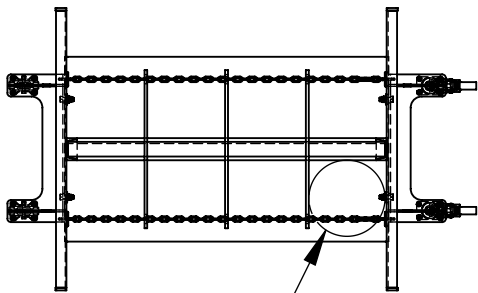


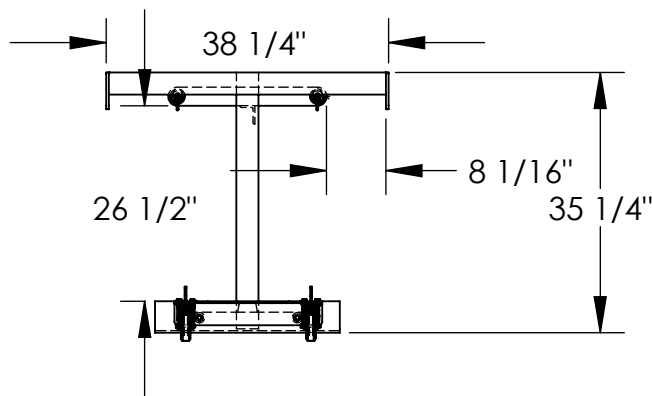
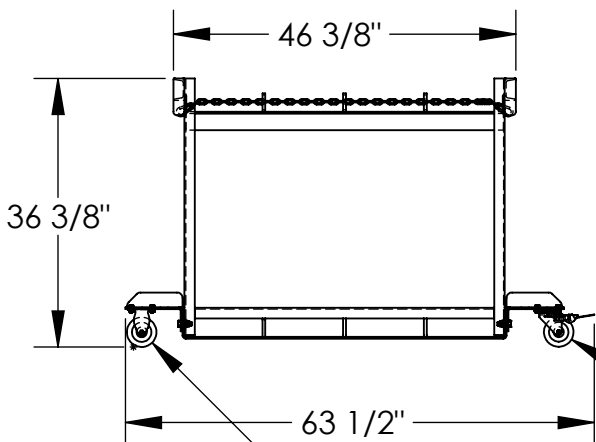
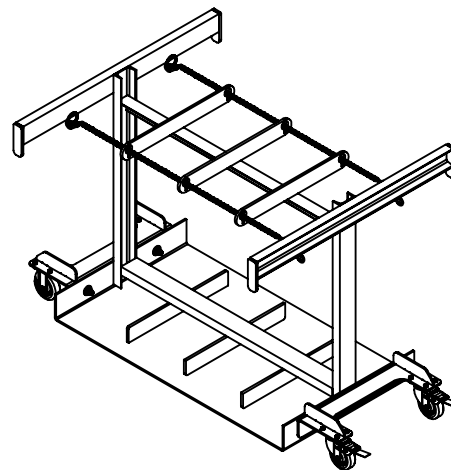
CYLINDER CADDY - CYL-TRUCK-8

APPROX WEIGHT: 249.65 lbs.
DOES NOT INCLUDE WEIGHT OF POWER OR PACKAGING!!!

ANY ADDITIONS, DELETIONS, OR OMISSIONS MUST BE CORRECTED ON THIS DRAWING AS THIS DRAWING WILL BE CONSIDERED ALL INCLUSIVE



Ø 9 1/2" MAXIMUM
CYLINDER DIAMETER



Ø 4" x 1 1/4" MAROON DURATOUGH POLY
SWIVEL W/ BRAKE CASTERS

Ø 4" x 1 1/4" MAROON DURATOUGH POLY
RIGID CASTERS

FOR INTERNAL USE ONLY PROJECT SIGN OFF	
SALES	
ENG.	
FAB.	
POWER	

ALL GRAPHICS PROVIDED ARE FOR REFERENCE ONLY. IF CERTAIN DIMENSIONS ARE CRITICAL PLEASE VERIFY THOSE DIMENSIONS WITH YOUR SALESPERSON

DIMENSION TOLERANCE ± 1/4"

STANDARD FEATURES

- MODEL NUMBER IS CYL-TRUCK-8
- OVERALL WIDTH IS 38 1/4"
- OVERALL LENGTH IS 63 1/2"
- OVERALL HEIGHT IS 36 3/8"
- HOLDS 8 CYLINDERS
- FORK TRUCK MOVABLE
- Ø 9 1/2" MAX CYLINDER DIAMETER
- CAPACITY IS 800 LBS
- INCLUDES (2) Ø 4" x 1 1/4" MAROON DURATOUGH POLY SWIVEL W/ BRAKE CASTERS
- (2) Ø 4" x 1 1/4" MAROON DURATOUGH POLY RIGID CASTERS
- TOUGH BAKED IN POWDER COATED BLUE FINISH

SPECIAL FEATURES

NONE

APPROVAL

I, THE UNDERSIGNED, AGREE THAT THE PRODUCT AS REPRESENTED SATISFIES DESIGN AND DIMENSION REQUIREMENTS. I ALSO ACKNOWLEDGE MY DUTY TO CONFIRM PRODUCT AND INSTALLATION COMPLIANCE WITH ALL APPLICABLE FEDERAL, STATE AND LOCAL REGULATIONS AND STANDARDS.
UNITS REQUIRING APPROVAL DRAWINGS OR MODIFIED ARE NON-RETURNABLE
[] As drawn [] As marked

Signed: _____ Date: _____

Printed Name: _____

LEAD TIME WILL START UPON RECEIPT OF SIGNED APPROVAL DRAWING

DISTRIBUTOR'S NAME:		P.O.#
VESTIL MANUFACTURING		X
DRAWN BY: TJM		W.O.#
DATE: 3/29/14		X
REFERENCE: X	SCALE: 1:26	SALES: X
QUOTED LEAD TIME: X	QUOTE #	FILE NAME:
	X	33-007-266