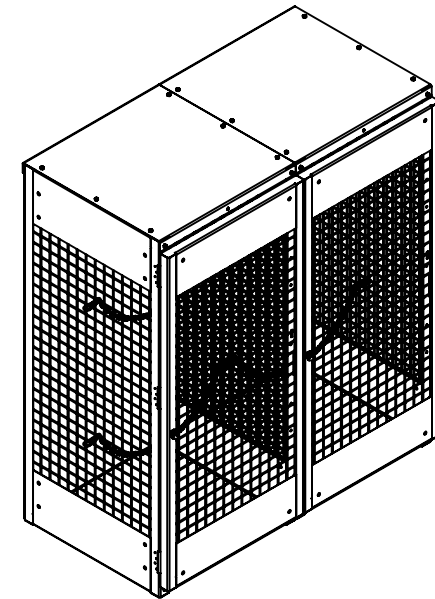
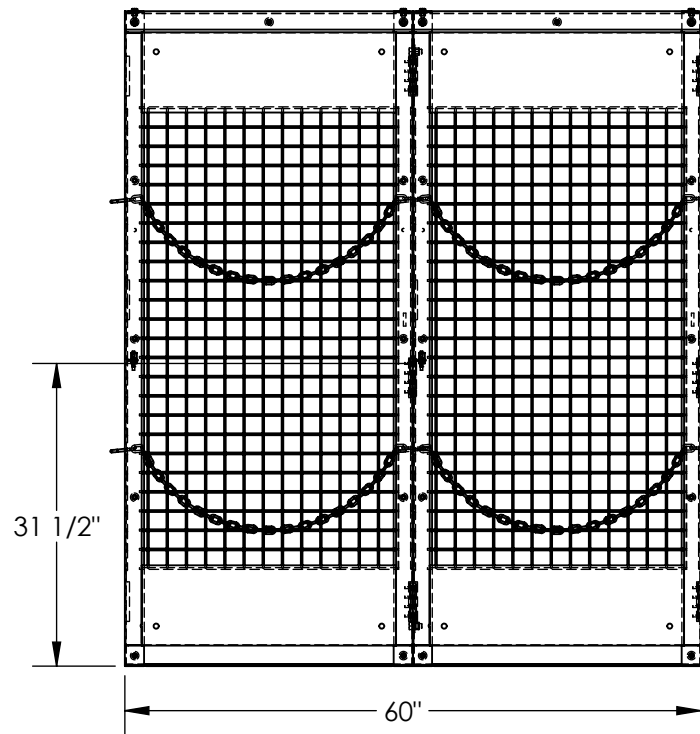
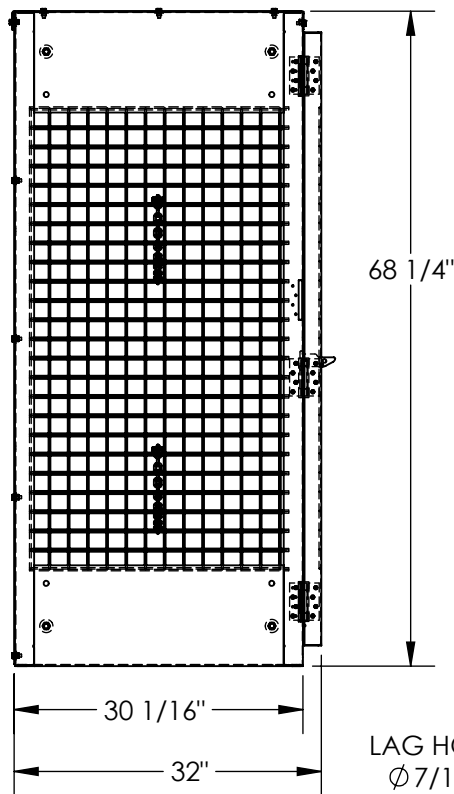


# VERTICAL CYLINDER STORAGE CABINET- CYL-V-1020-KD

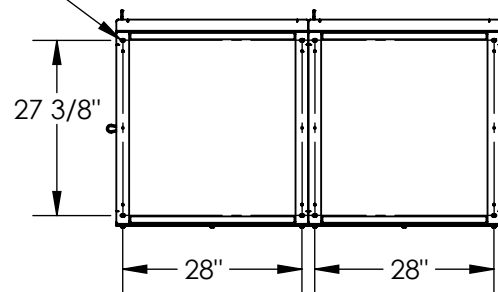
APPROX WEIGHT: 374.16 lbs.  
 DOES NOT INCLUDE WEIGHT OF POWER OR PACKAGING!!!

\*\*\* ANY ADDITIONS, DELETIONS, OR OMISSIONS MUST BE CORRECTED ON THIS DRAWING AS THIS DRAWING WILL BE CONSIDERED ALL INCLUSIVE \*\*\*

ALL GRAPHICS PROVIDED ARE FOR REFERENCE ONLY. IF CERTAIN DIMENSIONS ARE CRITICAL PLEASE VERIFY THOSE DIMENSIONS WITH YOUR SALESPERSON



LAG HOLE PATTERN  
 Ø 7/16" X 3/4" LG  
 SLOT  
 8-PLACES



FOR INTERNAL USE ONLY  
 PROJECT SIGN OFF

SALES	
ENG.	
FAB.	
POWER	

DIMENSION TOLERANCE ± 1/4"

## STANDARD FEATURES

- MODEL NUMBER IS CYL-V-1020-KD
- OVERALL WIDTH IS 60"
- OVERALL LENGTH IS 32"
- OVERALL HEIGHT IS 68 1/4"
- MAX CAPACITY IS 10-20 CYLINDERS
- TOUGH BAKED IN POWDER COATED YELLOW FINISH
- INCLUDES RED LETTER SIGNAGE "FLAMMABLE NO SMOKING" (NOT SHOWN)
- INCLUDES LAG HOLES (LAG HARDWARE NOT INCLUDED)

## SPECIAL FEATURES

NONE

**APPROVAL**

I, THE UNDERSIGNED, AGREE THAT THE PRODUCT AS REPRESENTED SATISFIES DESIGN AND DIMENSION REQUIREMENTS. I ALSO ACKNOWLEDGE MY DUTY TO CONFIRM PRODUCT AND INSTALLATION COMPLIANCE WITH ALL APPLICABLE FEDERAL, STATE AND LOCAL REGULATIONS AND STANDARDS.

**ANY MODIFIED UNITS ARE NON-RETURNABLE**

[ ] As drawn [ ] As marked

Signed: \_\_\_\_\_ Date: \_\_\_\_\_

Printed Name: \_\_\_\_\_

LEAD TIME WILL START UPON RECEIPT OF SIGNED APPROVAL DRAWING

DISTRIBUTOR'S NAME:		P.O.#
VESTIL MANUFACTURING		X
DRAWN BY: CA		DATE: 08/05/2011
REFERENCE: X		SCALE: 1:20
QUOTED LEAD TIME: X		QUOTE #
		X
		FILE NAME:
		31-007-168