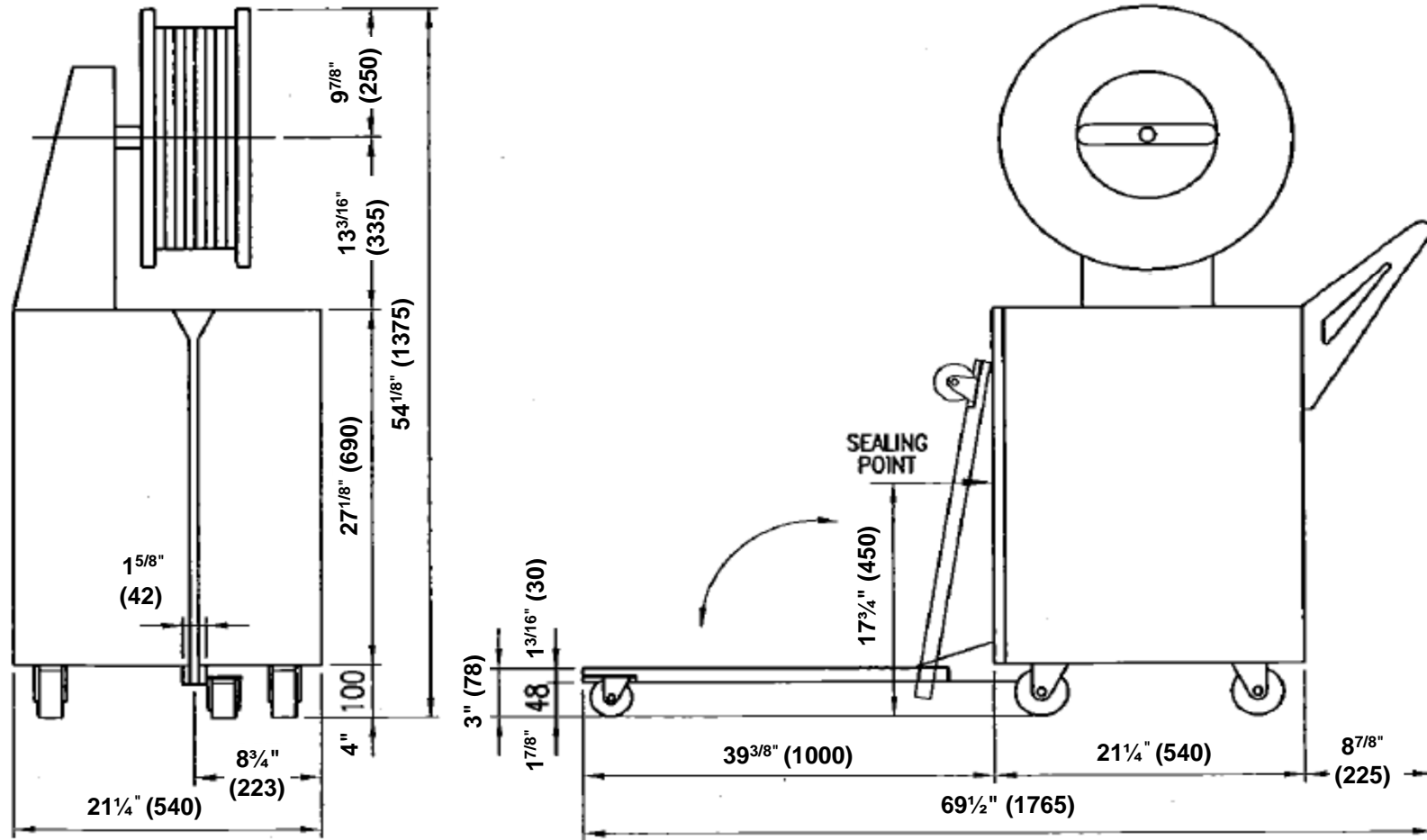


DBA - 130 (SEMI-AUTOMATIC PALLET PROBE STRAPPING MACHINE)



Vestil Manufacturing Company

2999 North Wayne Street, P.O. Box 570, Angola Indiana 46703
Telephone (260) 665-7586 * Fax (260) 665-1339