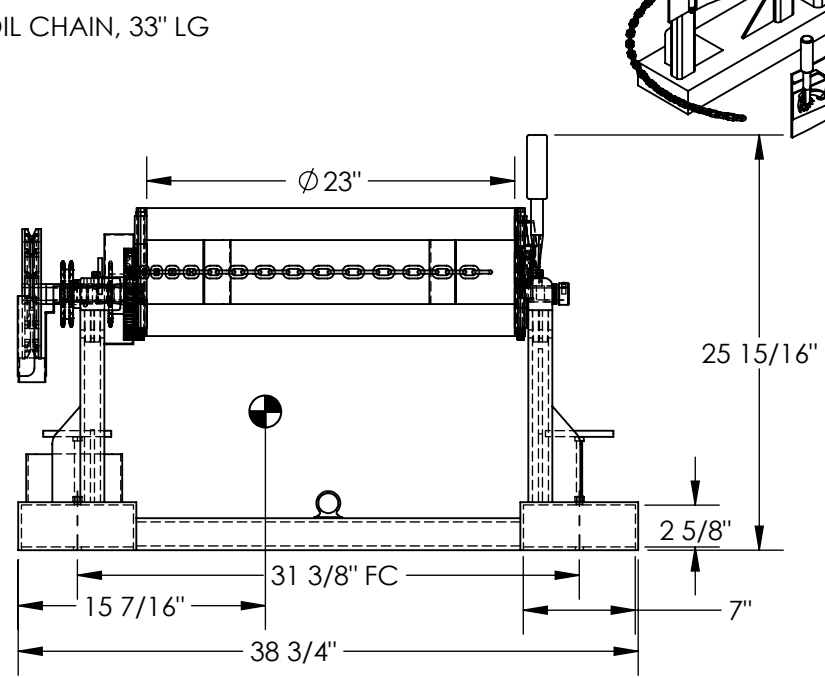
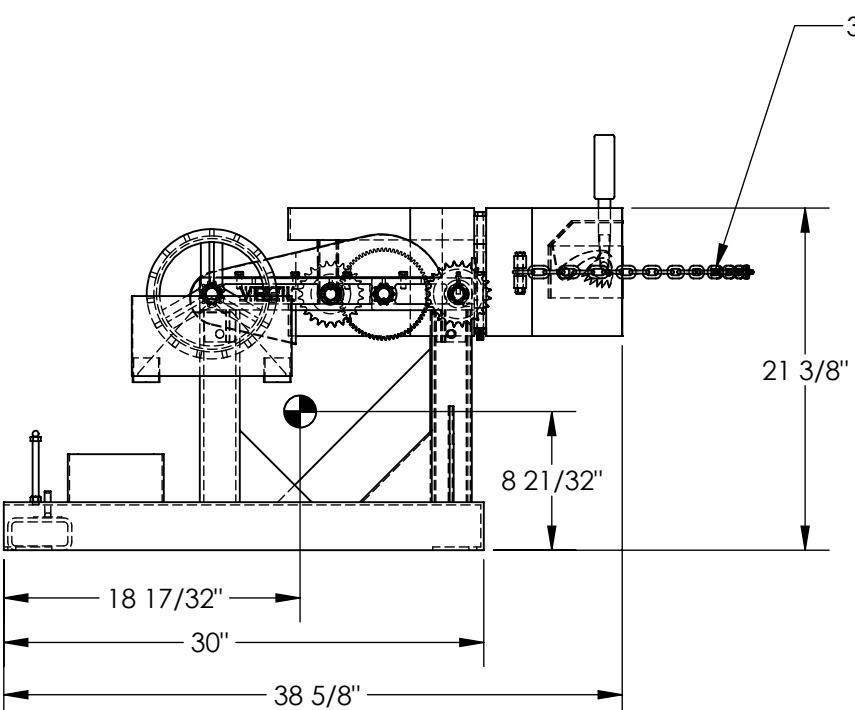
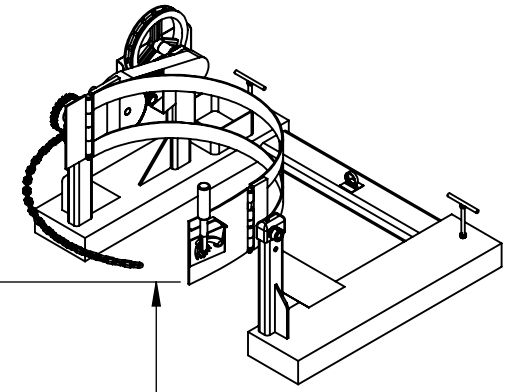


FORK MOUNTED DRUM CARRIER/ROTATOR - DCR-205-15

APPROX WEIGHT: 150.31 lbs.
DOES NOT INCLUDE WEIGHT OF POWER OR PACKAGING!!!

*** ANY ADDITIONS, DELETIONS, OR OMISSIONS MUST BE CORRECTED ON THIS DRAWING AS THIS DRAWING WILL BE CONSIDERED ALL INCLUSIVE ***
ALL GRAPHICS PROVIDED ARE FOR REFERENCE ONLY. IF CERTAIN DIMENSIONS ARE CRITICAL PLEASE VERIFY THOSE DIMENSIONS WITH YOUR SALESPERSON



DIMENSION TOLERANCE ± 1/2"

STANDARD FEATURES

- MODEL NUMBER IS DCR-205-15
- OVERALL WIDTH IS 38 3/4"
- OVERALL LENGTH IS 38 5/8"
- OVERALL HEIGHT IS 25 15/16"
- FITS 1- 55 GALLON DRUM
- MAX CAPACITY IS 1,500 LBS.
- FORK TRUCK RESTRAINT CHAIN LENGTH IS 56" (NOT SHOWN)
- 15' ROTATION PULL CHAIN (NOT SHOWN)
- FORK POCKET CENTER-TO-CENTER IS 31 3/8"
- USABLE FORK POCKET SIZE IS 7" X 2 5/8"
- BUNG WRENCH INCLUDED (NOT SHOWN)
- LOST LOAD IS 151 LBS. (APPROX)
- EFFECTIVE THICKNESS IS FORK LENGTH MINUS 29 3/4"
- FRAME IS TOUGH BAKED INPOWDER COATED YELLOW FINISH
- CRADLE IS TOUGH BAKED IN POWDER COATED BLUE FINISH

NEVER EXCEED LOAD CENTER RATING PER FORK TRUCK MANUFACTURER'S GUIDELINES.

DO NOT USE THIS FORK TRUCK ATTACHMENT IF LOAD WILL EXCEED FORK TRUCK MANUFACTURER'S LOAD CENTER RATING.

SPECIAL FEATURES

NONE

A P P R O V A L	I, THE UNDERSIGNED, AGREE THAT THE PRODUCT AS REPRESENTED SATISFIES DESIGN AND DIMENSION REQUIREMENTS. I ALSO ACKNOWLEDGE MY DUTY TO CONFIRM PRODUCT AND INSTALLATION COMPLIANCE WITH ALL APPLICABLE FEDERAL, STATE AND LOCAL REGULATIONS AND STANDARDS.	
	UNITS REQUIRING APPROVAL DRAWINGS OR MODIFIED ARE NON-RETURNABLE	
	[] As drawn [] As marked	
	Signed: _____ Date: _____	
Printed Name: _____		
<i>LEAD TIME WILL START UPON RECEIPT OF SIGNED APPROVAL DRAWING</i>		

DISTRIBUTOR'S NAME:		P.O.#
VESTIL MANUFACTURING		X
DRAWN BY: CA		W.O.#
DATE: 08/26/2013		X
REFERENCE: X		SALES: X
QUOTED LEAD TIME: X		SCALE: 1:12
QUOTE # X		FILE NAME:
		09-007-180