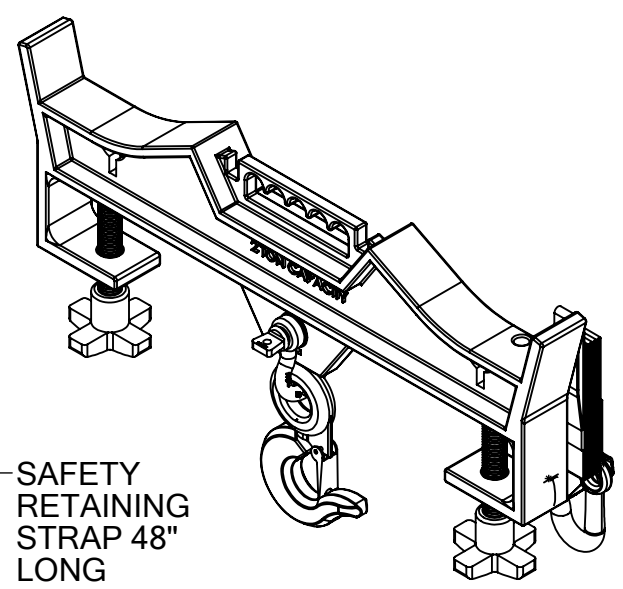
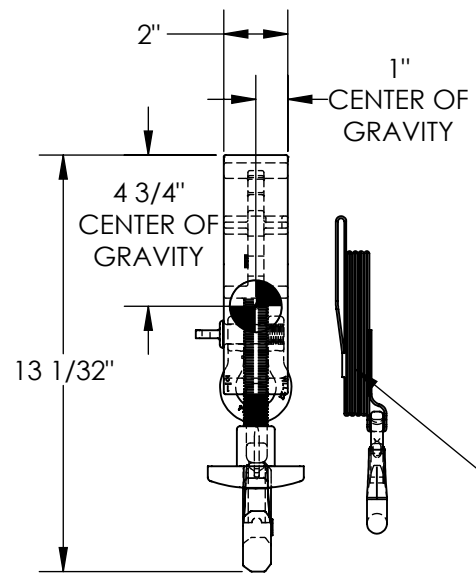
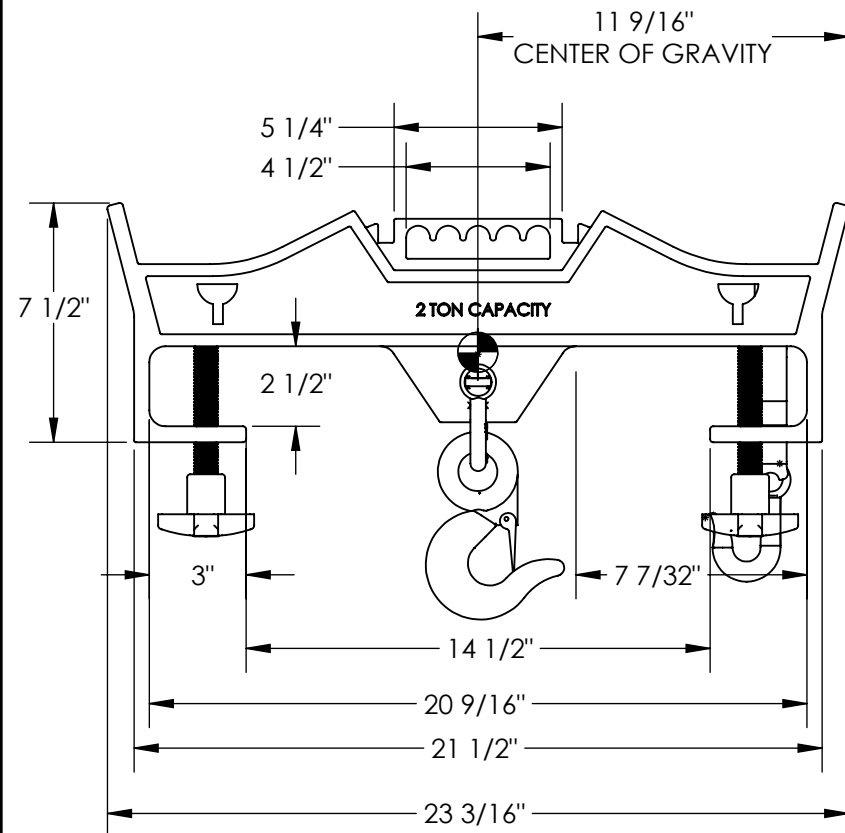


DOUBLE/RIGID HOISTING HOOK - D-FORK-4-RL

APPROX WEIGHT: 30.40 lbs.
DOES NOT INCLUDE WEIGHT OF POWER OR PACKAGING!!!

*** ANY ADDITIONS, DELETIONS, OR OMISSIONS MUST BE CORRECTED ON THIS DRAWING AS THIS DRAWING WILL BE CONSIDERED ALL INCLUSIVE ***

ALL GRAPHICS PROVIDED ARE FOR REFERENCE ONLY. IF CERTAIN DIMENSIONS ARE CRITICAL PLEASE VERIFY THOSE DIMENSIONS WITH YOUR SALESPERSON



SAFETY
RETAINING
STRAP 48"
LONG

STANDARD FEATURES

MODEL NUMBER: D-FORK-4-RL
CAPACITY: 4,000 LBS (2 TONS)
FORK OPENINGS: 7 7/32" W x 2 1/2" H
MAX FORK WIDTH 20 9/16"
OVERALL LENGTH: 23 3/16"
BODY HEIGHT: 7 1/2"
STRAP LENGTH: SAFETY RETAINING STRAP 48" LONG
HOT DIPPED GALVANIZED STEEL

SPECIAL FEATURES

NONE

APPROX. WEIGHT / LOST LOAD = 31 LBS. (APPROX)
MINIMUM EFFECTIVE THICKNESS = ADJUSTABLE
NEVER EXCEED LOAD CENTER
RATING PER FORKTRUCK
MANUFACTURERS GUIDELINES.
DO NOT USE THIS FORK TRUCK
ATTACHMENT IF LOAD WILL
EXCEED FORK TRUCK MANUFACTURER'S
LOAD CENTER RATING

DIMENSION TOLERANCE ± 1/4"

APPROVAL	I, THE UNDERSIGNED, AGREE THAT THE PRODUCT AS REPRESENTED SATISFIES DESIGN AND DIMENSION REQUIREMENTS. I ALSO ACKNOWLEDGE MY DUTY TO CONFIRM PRODUCT AND INSTALLATION COMPLIANCE WITH ALL APPLICABLE FEDERAL, STATE AND LOCAL REGULATIONS AND STANDARDS.	
	UNITS REQUIRING APPROVAL DRAWINGS OR MODIFIED ARE NON-RETURNABLE	
	<input type="checkbox"/> As drawn	<input type="checkbox"/> As marked
	Signed: _____ Date: _____	
Printed Name: _____		
LEAD TIME WILL START UPON RECEIPT OF SIGNED APPROVAL DRAWING		

DISTRIBUTOR'S NAME:		P.O.#
VESTIL MANUFACTURING		X
DRAWN BY: WHR		W.O.#
DATE: 12/28/11		X
REFERENCE: X	SCALE: 1:6	SALES: X
QUOTED LEAD TIME: X	QUOTE # X	FILE NAME:
		08-007-145