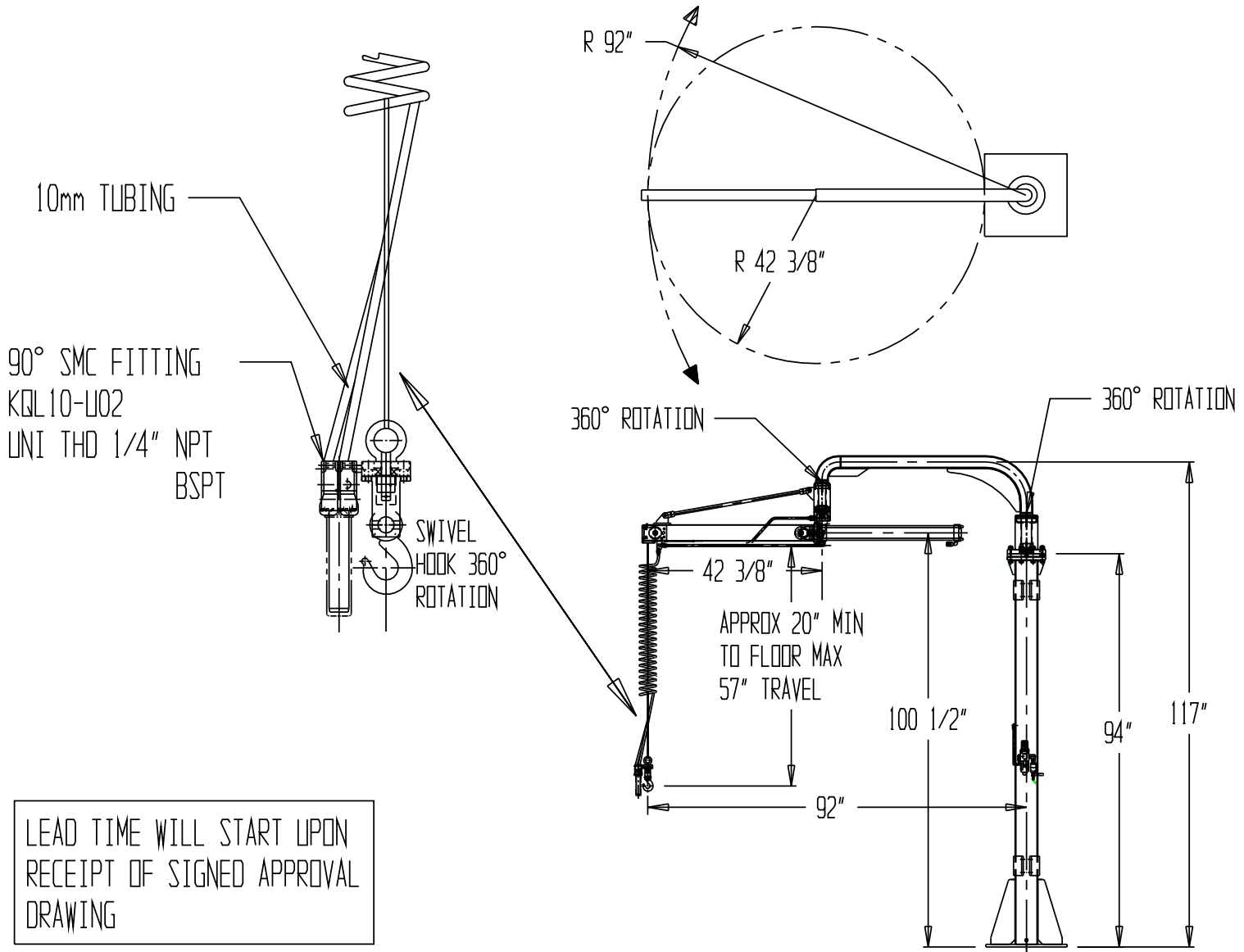


# DSJ-300 AIR BALANCE JIB LIFTER



LEAD TIME WILL START UPON RECEIPT OF SIGNED APPROVAL DRAWING

## STANDARD FEATURES:

- MODEL NUMBER DSJ-300
- CAPACITY 250 LBS.
- UP / DOWN PENDANT CONTROL OPERATION
- UP / DOWN STROKE IS 57 INCHES
- AIR PRESSURE 100 P.S.I.
- AIR REGULATOR / FILTER INCLUDED
- MOUNTING HARDWARE NOT INCLUDED

**APPROVAL**

I, the undersigned, hereby approve this print  
 As drawn       As marked

This includes my approval of design & dimensions.

Signed: \_\_\_\_\_  
 Date: \_\_\_\_\_

DISTRIBUTOR'S NAME: -		P.O.#: -
DRAWN BY: -		W.O.#: -
DATE: -	SALES: -	DRWG./FILE NAME: -
REFERENCE: -		

\* SPECIAL UNITS ARE NON RETURNABLE \*