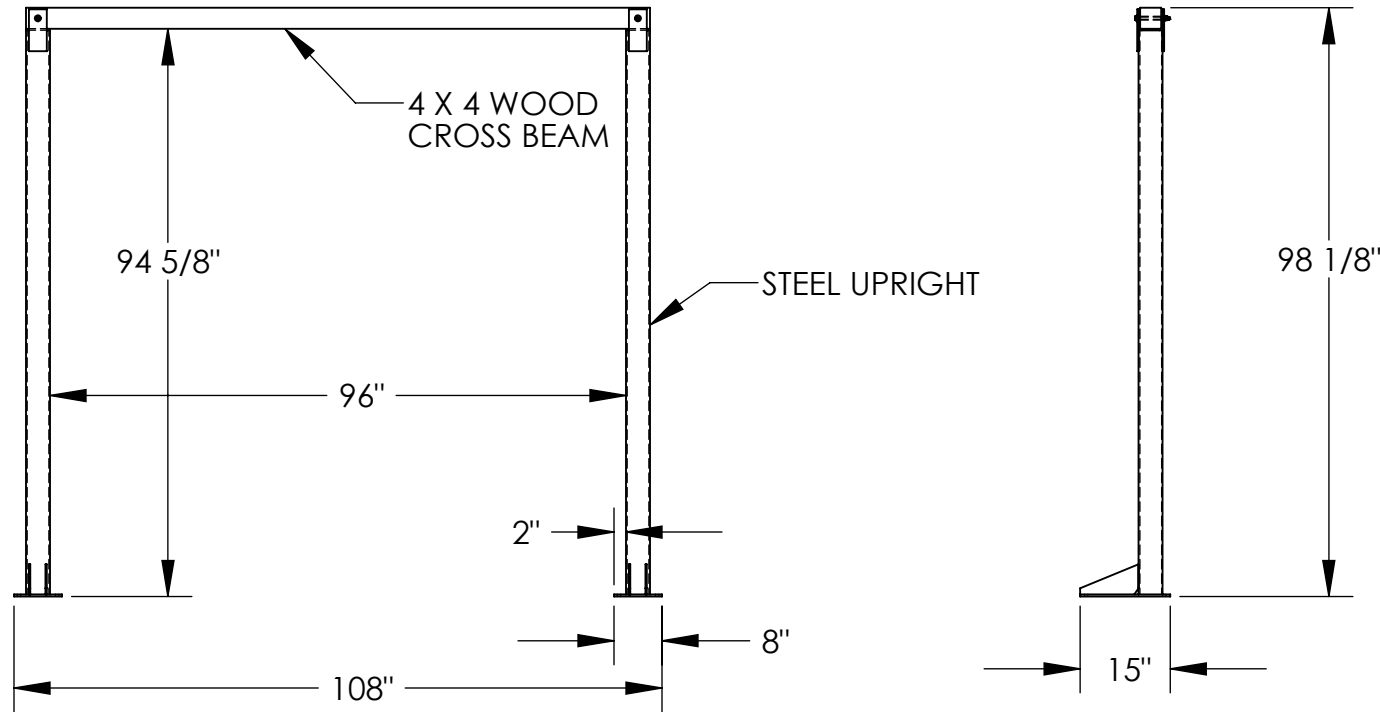


OVERHEAD DOOR WARNING BARRIER - DWB-88

APPROX WEIGHT: 199.77 lbs.
 DOES NOT INCLUDE WEIGHT OF POWER OR PACKAGING!!!

*** ANY ADDITIONS, DELETIONS, OR OMISSIONS MUST BE CORRECTED ON THIS DRAWING AS THIS DRAWING WILL BE CONSIDERED ALL INCLUSIVE ***

ALL GRAPHICS PROVIDED ARE FOR REFERENCE ONLY. IF CERTAIN DIMENSIONS ARE CRITICAL PLEASE VERIFY THOSE DIMENSIONS WITH YOUR SALESPERSON



DIMENSION TOLERANCE $\pm 1/4"$

STANDARD FEATURES

- MODEL NUMBER IS DWB-88
- OVERALL WIDTH IS 108"
- USABLE WIDTH IS 96"
- OVERALL LENGTH IS 15"
- OVERALL HEIGHT IS 98 1/8"
- USABLE HEIGHT IS 94 5/8"
- DURABLE LIQUID PAINT YELLOW FINISH

- *HARDWARE TO ATTACH BEAM IS INCLUDED
- **FLOOR MOUNTING HARDWARE IS NOT INCLUDED

SPECIAL FEATURES

NONE

| | | |
|---|--|-------------|
| APPROVAL | I, THE UNDERSIGNED, AGREE THAT THE PRODUCT AS REPRESENTED SATISFIES DESIGN AND DIMENSION REQUIREMENTS. I ALSO ACKNOWLEDGE MY DUTY TO CONFIRM PRODUCT AND INSTALLATION COMPLIANCE WITH ALL APPLICABLE FEDERAL, STATE AND LOCAL REGULATIONS AND STANDARDS. | |
| | ANY MODIFIED UNITS ARE NON-RETURNABLE | |
| | [] As drawn [] As marked | |
| | Signed: _____ | Date: _____ |
| | Printed Name: _____ | |
| LEAD TIME WILL START UPON RECEIPT OF SIGNED APPROVAL DRAWING | | |

| | |
|---|--|
| FOR INTERNAL USE ONLY PROJECT SIGN OFF | |
| SALES | |
| ENG. | |
| FAB. | |
| POWER | |

| | | |
|----------------------|------------------|------------|
| DISTRIBUTOR'S NAME: | | P.O.# |
| VESTIL MANUFACTURING | | X |
| DRAWN BY: SR | DATE: 12/14/2005 | W.O.# |
| REFERENCE: X | SCALE: 1:32 | X |
| QUOTED LEAD TIME: X | QUOTE # | FILE NAME: |
| | X | 23-007-148 |