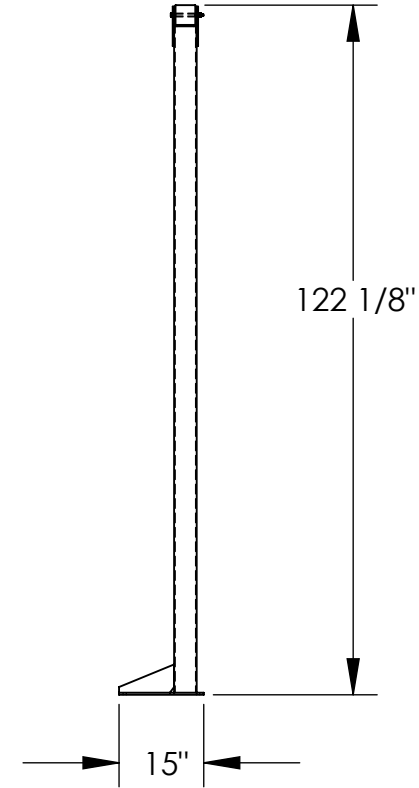
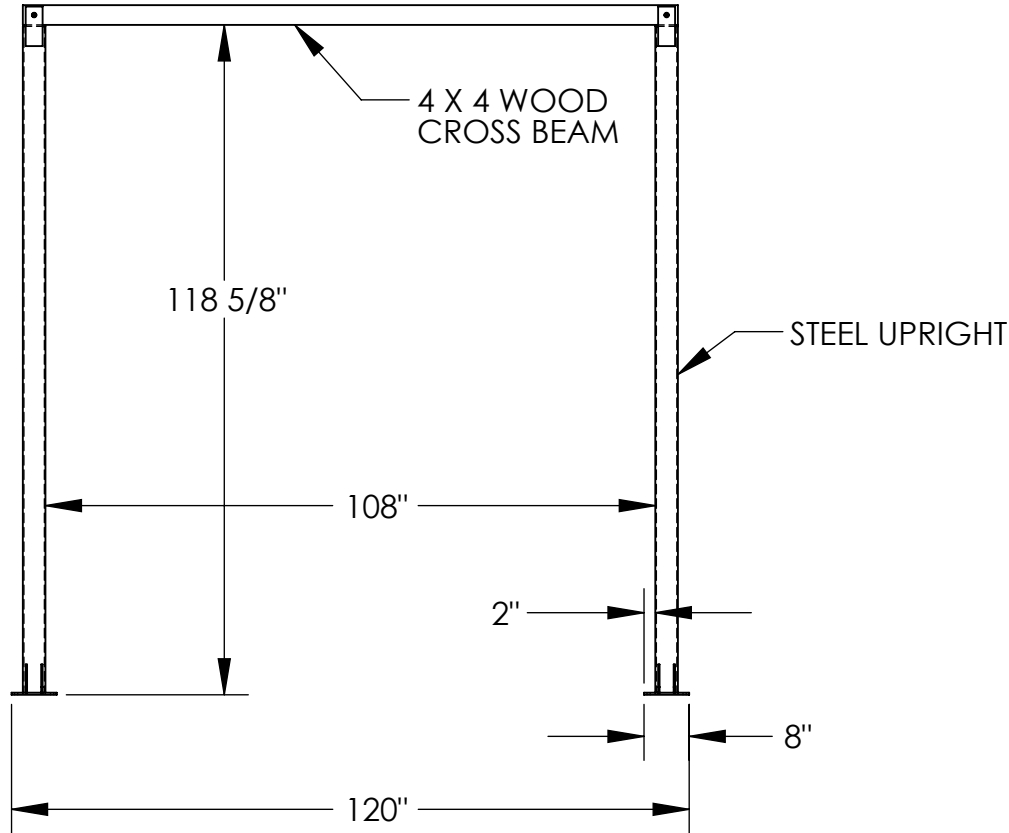


OVERHEAD DOOR WARNING BARRIER, DWB-910

APPROXIMATE WEIGHT IS: 238.44 lbs.

*** ANY ADDITIONS, DELETIONS, OR OMISSIONS MUST BE CORRECTED ON THIS DRAWING AS THIS DRAWING WILL BE CONSIDERED ALL INCLUSIVE ***
 ALL GRAPHICS PROVIDED ARE FOR REFERENCE ONLY. IF CERTAIN DIMENSIONS ARE CRITICAL PLEASE VERIFY THOSE DIMENSIONS WITH YOUR SALESPERSON



STANDARD FEATURES

MODEL NUMBER IS DWB-910
 OVERALL WIDTH IS 120"
 USABLE WIDTH IS 108"
 OVERALL LENGTH IS 15"
 OVERALL HEIGHT IS 122 1/8"
 USABLE HEIGHT IS 118 5/8"
 UNIT IS PAINTED SAFETY YELLOW

*HARDWARE TO ATTACH BEAM IS INCLUDED
 **FLOOR MOUNTING HARDWARE IS NOT INCLUDED

SPECIAL FEATURES

NONE

**ALL SPECIAL UNITS
 ARE NON-RETURNABLE**

A P P R O V A L	I, the undersigned, hereby approve this print. This includes my approval of design & dimensions	
	<input type="checkbox"/> As drawn	<input type="checkbox"/> As marked
	Signed: _____ Date: _____	
	LEAD TIME WILL START UPON RECEIPT OF SIGNED APPROVAL DRAWING	

DISTRIBUTOR'S NAME: VESTIL MANUFACTURING		P.O.# X
DRAWN BY: SR		W.O.# X
DATE: 12-14-05	SCALE: 1:34	SALES: X
REFERENCE: X	QUOTE # X	FILE NAME: 23-007-221