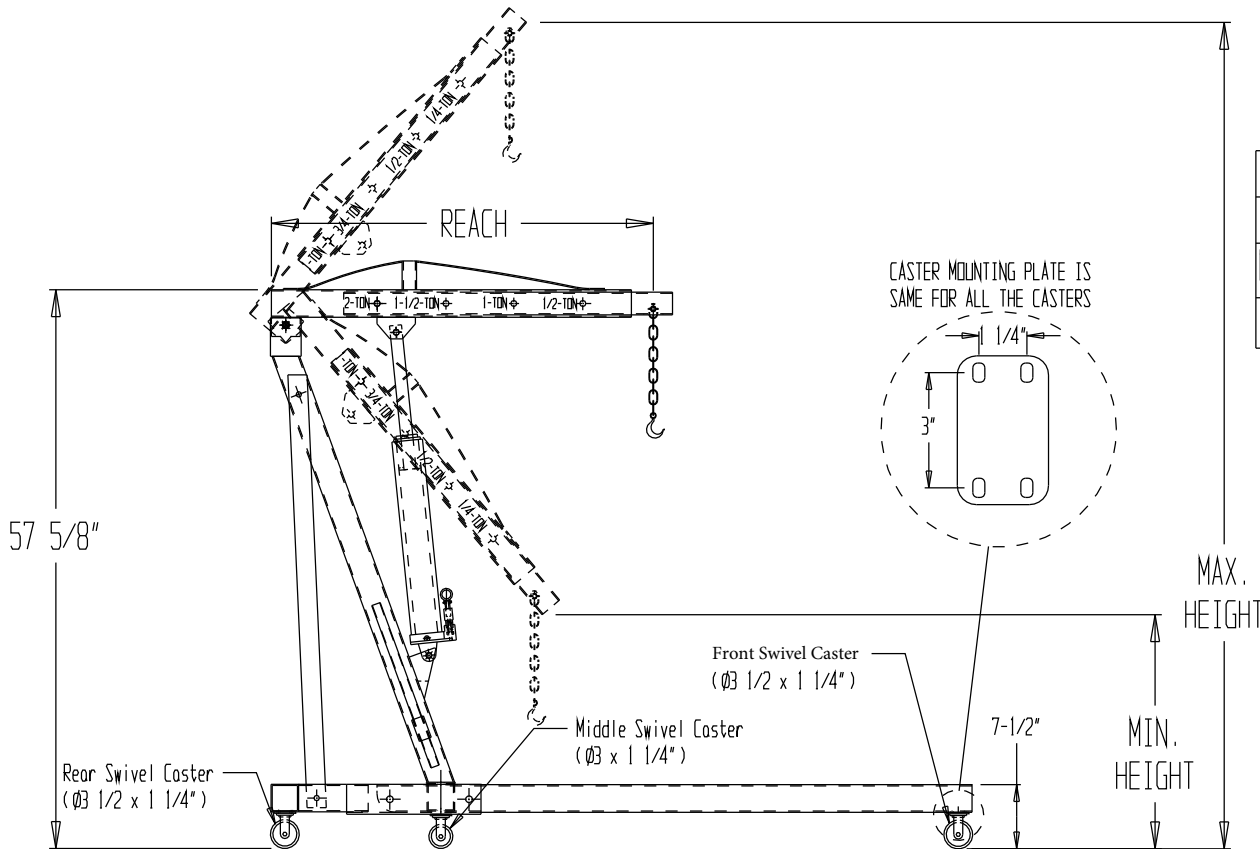


STANDARD FEATURES:

- 1 - FOLDABLE DESIGN
- 2 - HEAVY DUTY STEEL CONSTRUCTION.
- 3 - FIXED LEGS.
- 4 - ADJUSTABLE BOOM ALLOWS FOR MULTIPLE LIFTING CAPACITY.
- 5 - 8-TON CAPACITY HYDRAULIC LONG RAM PROVIDES FASTER RISING ACTION, AND A LARGE DIA. RAM TO WITHSTAND ANGLE LOADS.



CAPACITY	2 TON	1-1/2 TON	1 TON	1/2 TON
REACH	39 1/4"	46 1/4"	53 1/4"	60 1/2"
MAX. HEIGHT	85 3/4"	91 1/4"	96 9/16"	102"
MIN. HEIGHT	21"	15"	9"	3"

OVERALL SIZE (WXL): 42 5/8" X 72"

COLLAPSED SIZE (WXLXH): 31" X 21" X 65 7/8"

WEIGHT: 190 LBS.

T & S EQUIPMENT COMPANY

SCALE: 1:14	APPROVED BY:	DRAWN BY: T. MAHMOOD
DATE: 05-05-05		SIZE: B
EHN-40-C (FOLDABLE 4000 lbs. SHOP CRANE ENGINE HOIST)		
MATERIAL:	DRAWING NUMBER: TM-05-005-004	REV: