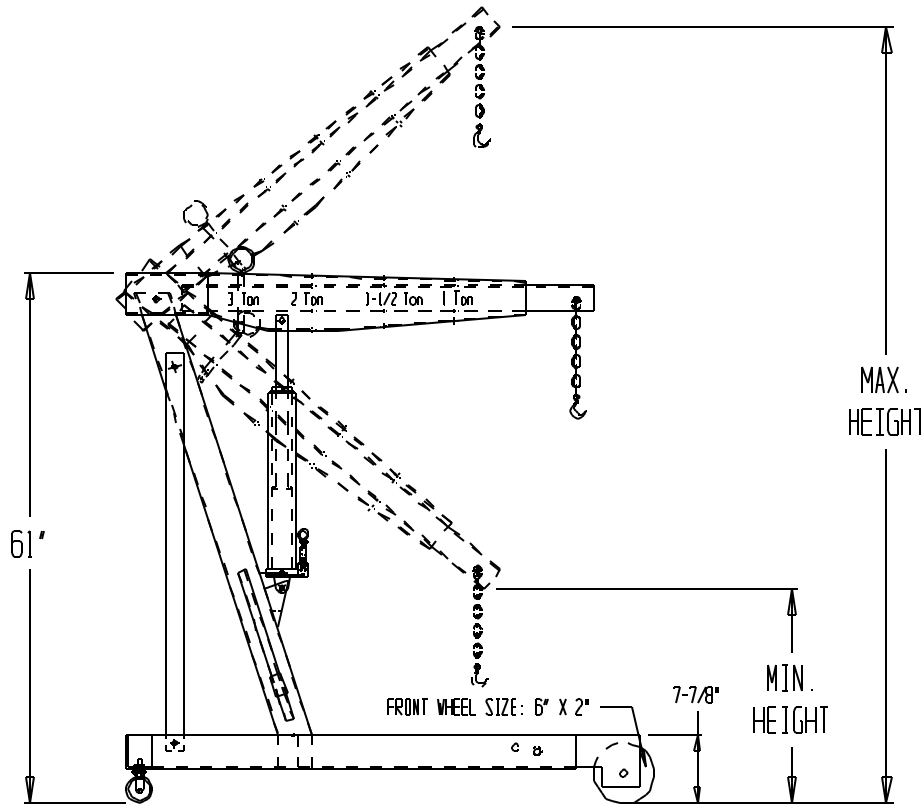


**STANDARD FEATURES:**

- 1 - NON-FOLDABLE DESIGN
- 2 - HEAVY DUTY STEEL CONSTRUCTION.
- 3 - ADJUSTABLE LEGS FOR GREATER STABILITY.
- 4 - ADJUSTABLE BOOM ALLOWS FOR MULTIPLE LIFTING CAPACITY.
- 5 - 12-TON CAPACITY HYDRAULIC LONG RAM PROVIDES FASTER RISING ACTION, AND A LARGE DIA. RAM TO WITHSTAND ANGLE LOADS.



CAPACITY	3 TON	2 TON	1-1/2 TON	1 TON
BOOM REACH	51 7/8"	60"	68"	76 1/4"
MAX. HEIGHT	84"	88 3/16"	92 3/8"	96 9/16"
MIN. HEIGHT	22"	16 11/16"	11 1/2"	6 1/4"
LEG EXTENSION	6-11/16"	18-1/2"	26-1/2"	34-1/4"

OVERALL SIZE (WXL): 31 3/4" X 54 1/2"

WEIGHT: 340 LBS.

**T & S EQUIPMENT COMPANY**

SCALE: 1:15	APPROVED BY:	DRAWN BY: T. MAHMOUD
DATE: 05-05-05		SIZE: 8
EHN-60-T (NON FOLDABLE 6000 lbs. SHOP CRANE ENGINE HOIST)		
MATERIAL:	DRAWING NUMBER: TN-05-005-005	REV: