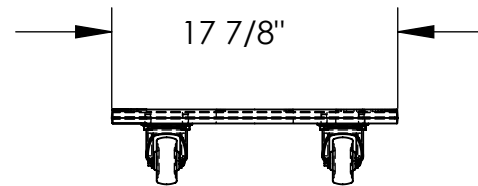
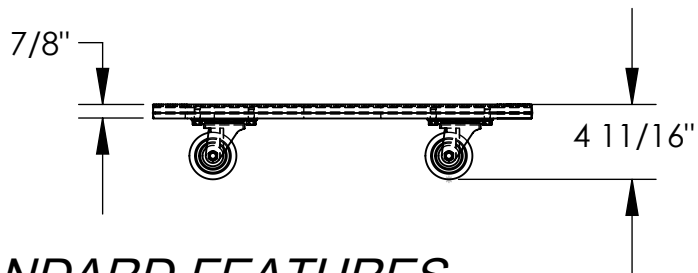
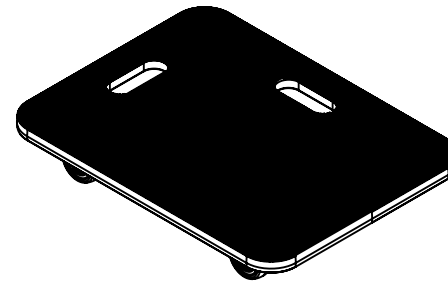
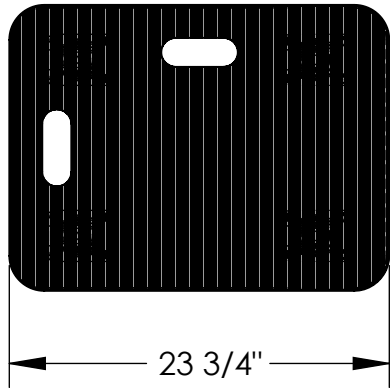


# FIBERWOOD DOLLY - FWD-1824-3R

APPROXIMATE WEIGHT IS: 16 lbs.

\*\*\* ANY ADDITIONS, DELETIONS, OR OMISSIONS MUST BE CORRECTED ON THIS DRAWING AS THIS DRAWING WILL BE CONSIDERED ALL INCLUSIVE \*\*\*

ALL GRAPHICS PROVIDED ARE FOR REFERENCE ONLY. IF CERTAIN DIMENSIONS ARE CRITICAL PLEASE VERIFY THOSE DIMENSIONS WITH YOUR SALESPERSON



## STANDARD FEATURES

- MODEL NUMBER IS: FWD-1824-3R
- WEIGHT IS: 16 LBS.
- CAPACITY IS: 800 LBS.
- OVERALL WIDTH IS: 17 7/8"
- OVERALL LENGTH IS: 23 3/4"
- OVERALL HEIGHT IS: 4 11/16"
- FEATURES A RUBBER PADDED SURFACE
- TWO HAND HOLES FOR CARRYING DOLLY
- PVC EDGE STRIP PROTECTS WALLS FROM SCRAPES
- NON-MARRING, OIL RESISTANT SWIVEL WHEELS

## SPECIAL FEATURES

NONE

**ALL SPECIAL UNITS ARE NON-RETURNABLE**

<b>A P P R O V A L</b>	I, the undersigned, hereby approve this print. This includes my approval of design & dimensions	
	<input type="checkbox"/> As drawn	<input type="checkbox"/> As marked
	Signed: _____ Date: _____	
	LEAD TIME WILL START UPON RECEIPT OF SIGNED APPROVAL DRAWING	

DISTRIBUTOR'S NAME: <b>VESTIL MANUFACTURING</b>		P.O.# X
DRAWN BY: <b>T. MOORE</b>		W.O.# X
DATE: <b>04/30/08</b>	SCALE: 1:12	SALES: X
REFERENCE: X	QUOTE # X	FILE NAME: 16-007-150