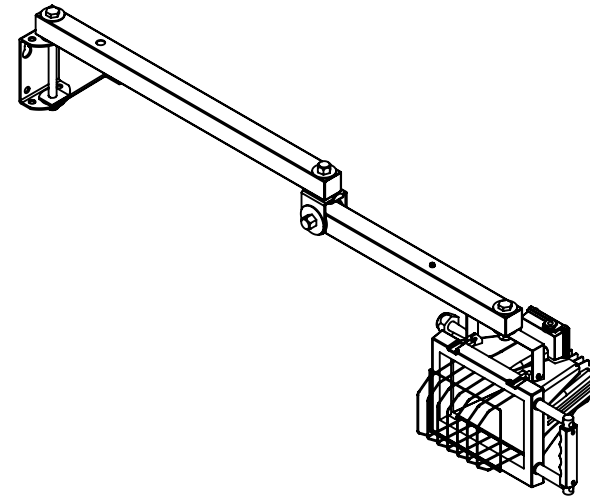
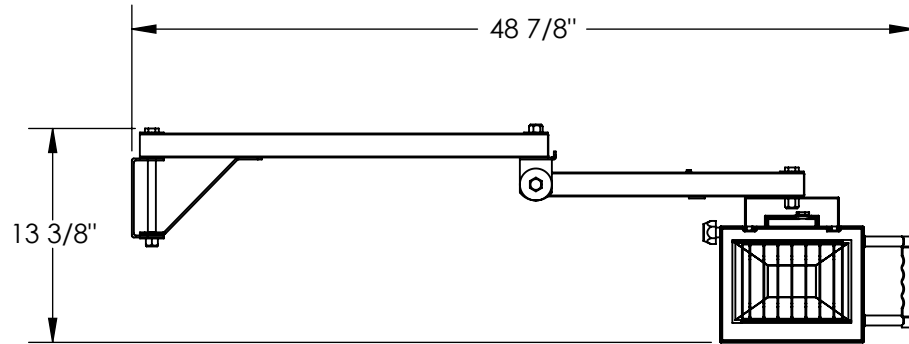


MODEL NAME - HLGN-40

APPROX WEIGHT: 39.75 lbs.
DOES NOT INCLUDE WEIGHT OF POWER OR PACKAGING!!!

*** ANY ADDITIONS, DELETIONS, OR OMISSIONS MUST BE CORRECTED ON THIS DRAWING AS THIS DRAWING WILL BE CONSIDERED ALL INCLUSIVE ***
ALL GRAPHICS PROVIDED ARE FOR REFERENCE ONLY. IF CERTAIN DIMENSIONS ARE CRITICAL PLEASE VERIFY THOSE DIMENSIONS WITH YOUR SALESPERSON



STANDARD FEATURES

MODEL NUMBER IS HLGN-40
OVERALL HEIGHT IS 13 3/8"
OVERALL LENGTH IS 40 7/8"
LAMP HEAD AND ARMS
MOVES AT THE JOINTS

PLEASE CIRCLE SPECIFICATIONS:

| | | | |
|--------------------------------------|--------|-----------|-----------|
| POWER | AC | *DC (12V) | * AIR/OIL |
| MOTOR VOLTAGE | 115 | 208 | 230 460 |
| DEDICATED CIRCUIT REQUIRED | | | |
| MOTOR PHASE | SINGLE | THREE | |
| CONTROL | HAND | * FOOT | |
| ~ ALL BATTERY CHARGERS ARE 115V AC ~ | | | |
| * BATTERY CHRG. | REMOTE | ON-BOARD | |
| * CHRG. INDICATOR | YES | NO | |

* AVAILABLE AT ADDITIONAL COST

SPECIAL FEATURES

NONE

| | | |
|--|--|---------------|
| A P P R O V A L | I, THE UNDERSIGNED, AGREE THAT THE PRODUCT AS REPRESENTED SATISFIES DESIGN AND DIMENSION REQUIREMENTS. I ALSO ACKNOWLEDGE MY DUTY TO CONFIRM PRODUCT AND INSTALLATION COMPLIANCE WITH ALL APPLICABLE FEDERAL, STATE AND LOCAL REGULATIONS AND STANDARDS. | |
| | ALL SPECIAL UNITS ARE NON-RETURNABLE | |
| | [] As drawn | [] As marked |
| Signed: _____ | | Date: _____ |
| LEAD TIME WILL START UPON RECEIPT OF SIGNED APPROVAL DRAWING | | |

| | | |
|----------------------|-------------|------------|
| DISTRIBUTOR'S NAME: | | P.O.# |
| VESTIL MANUFACTURING | | X |
| DRAWN BY: X | | W.O.# |
| DATE: XX/XX/XX | | X |
| REFERENCE: X | SCALE: 1:12 | SALES: X |
| QUOTED LEAD TIME: X | QUOTE # | FILE NAME: |
| X | X | 30-007-161 |