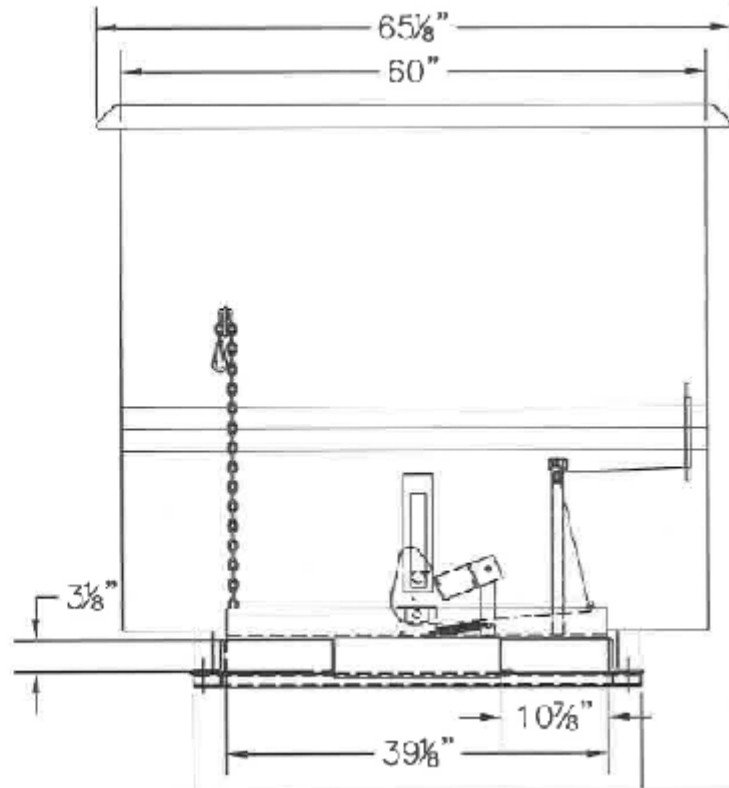
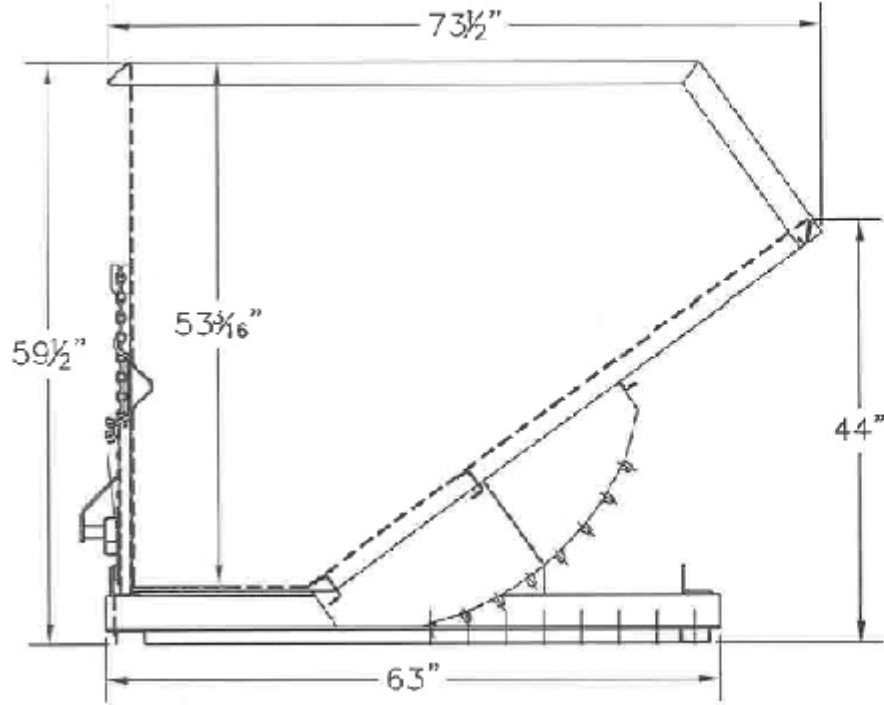


STACKABLE STEEL SELF-DUMPING HOPPER, HOP-300-HD

*** ANY ADDITIONS, DELETIONS, OR OMISSIONS MUST BE CORRECTED ON THIS DRAWING AS THIS DRAWING WILL BE CONSIDERED ALL INCLUSIVE ***
 ALL GRAPHICS PROVIDED ARE FOR REFERENCE ONLY. IF CERTAIN DIMENSIONS ARE CRITICAL PLEASE VERIFY THOSE DIMENSIONS WITH YOUR SALESPERSON



DIMENSION TOLERANCE ± 1/4"

STANDARD FEATURES

MODEL NUMBER: HOP-300-HD
 CAPACITY: 6,000 LBS.
 VOLUME: 3 CUBIC YARDS
 OVERALL WIDTH: 65 1/8"
 OVERALL DEPTH: 73 1/2"
 OVERALL HEIGHT: 59 1/2"

SPECIAL FEATURES

NONE

APPROX. WEIGHT / LOST LOAD = 1250 LBS.
 MINIMUM EFFECTIVE THICKNESS = LESS THAN 1"
 NEVER EXCEED LOAD CENTER RATING PER FORKTRUCK
 MANUFACTURERS GUIDELINES.
 DO NOT USE THIS FORK TRUCK ATTACHMENT IF LOAD WILL
 EXCEED FORK TRUCK MANUFACTURER'S LOAD CENTER
 RATING

APPROVAL

I, THE UNDERSIGNED, AGREE THAT THE PRODUCT AS REPRESENTED SATISFIES DESIGN AND DIMENSION REQUIREMENTS. I ALSO ACKNOWLEDGE MY DUTY TO CONFIRM PRODUCT AND INSTALLATION COMPLIANCE WITH ALL APPLICABLE FEDERAL, STATE AND LOCAL REGULATIONS AND STANDARDS.
UNITS REQUIRING APPROVAL DRAWINGS OR MODIFIED ARE NON-RETURNABLE
 As drawn As marked

Signed: _____ Date: _____

Printed Name: _____

LEAD TIME WILL START UPON RECEIPT OF SIGNED APPROVAL DRAWING

DISTRIBUTOR'S NAME:		P.O.#
VESTIL MANUFACTURING		X
DRAWN BY: DEC		W.O.#
DATE: 8/5/14		X
REFERENCE: X	SCALE: 1:1	SALES: X
QUOTED LEAD TIME: X	QUOTE #	FILE NAME:
	X	HOP-300-HD