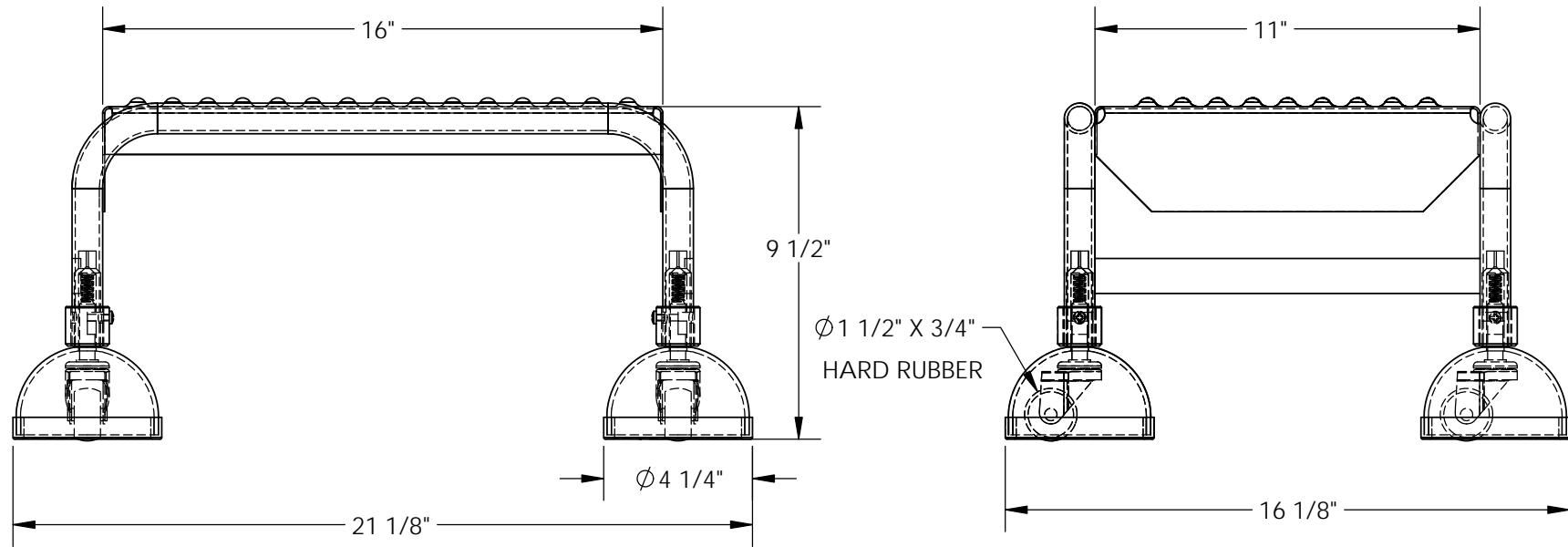


# COMMERCIAL ROLLING LADDER, WHITE - LAD-1-W-P

APPROX WEIGHT: 19.10 lbs.  
DOES NOT INCLUDE WEIGHT OF POWER OR PACKAGING!!!

\*\*\* ANY ADDITIONS, DELETIONS, OR OMISSIONS MUST BE CORRECTED ON THIS DRAWING AS THIS DRAWING WILL BE CONSIDERED ALL INCLUSIVE \*\*\*

ALL GRAPHICS PROVIDED ARE FOR REFERENCE ONLY. IF CERTAIN DIMENSIONS ARE CRITICAL PLEASE VERIFY THOSE DIMENSIONS WITH YOUR SALESPERSON



## STANDARD FEATURES

- MODEL NUMBER IS LAD-1-W-P
- OVERALL WIDTH IS 21 1/8"
- USABLE WIDTH IS 16"
- OVERALL LENGTH IS 16 1/8"
- USABLE LENGTH IS 11"
- OVERALL HEIGHT IS 9 1/2"
- MAX CAPACITY IS 300 LBS
- STEP TYPE: FORMED STEEL STEPS WITH ANT-SLIP TOP SURFACE
- STEP HEIGHT: 9 1/2" ± 1/4"
- COLOR: POWDERCOATED WHITE
- SPRING LOADED CASTERS WITH STEEL DOME AND RUBBER PAD BOTTOMS
- WHEEL SIZE: Ø 1 1/2" X 3/4"

## SPECIAL FEATURES

NONE

DIMENSION TOLERANCE ± 1/4"

<b>APPROVAL</b>	I, THE UNDERSIGNED, AGREE THAT THE PRODUCT AS REPRESENTED SATISFIES DESIGN AND DIMENSION REQUIREMENTS. I ALSO ACKNOWLEDGE MY DUTY TO CONFIRM PRODUCT AND INSTALLATION COMPLIANCE WITH ALL APPLICABLE FEDERAL, STATE AND LOCAL REGULATIONS AND STANDARDS.	
	<b>ALL SPECIAL UNITS ARE NON-RETURNABLE</b> [ ] As drawn [ ] As marked	
Signed: _____		Date: _____
LEAD TIME WILL START UPON RECEIPT OF SIGNED APPROVAL DRAWING		

FOR INTERNAL USE ONLY PROJECT SIGN OFF		DISTRIBUTOR'S NAME:		P.O.#
		VESTIL MANUFACTURING		X
SALES		DRAWN BY: BN	DATE: 12/26/13	W.O.#
ENG.		REFERENCE: X	SCALE: 1:5	X
FAB.		QUOTED LEAD TIME: X	QUOTE #	FILE NAME:
POWER			X	44-007-276