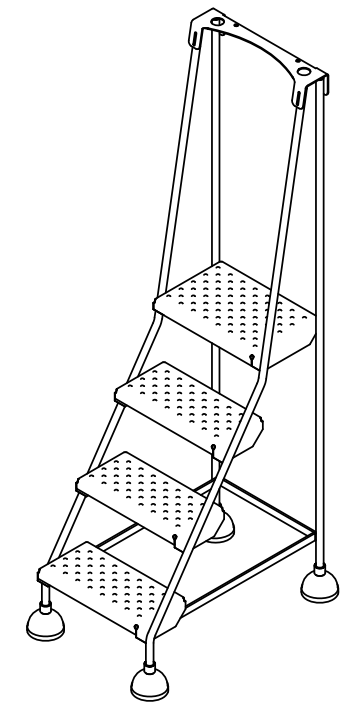
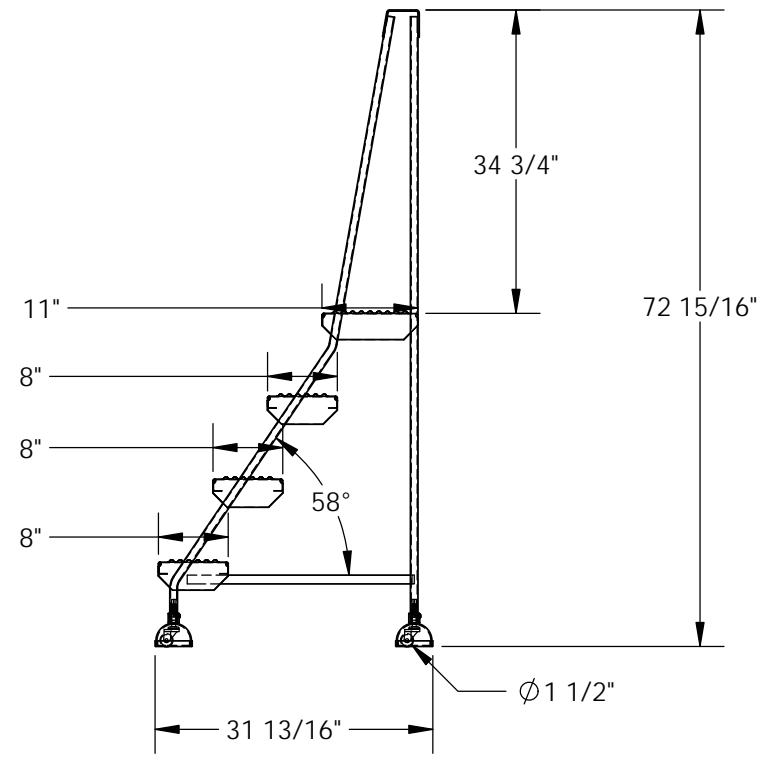
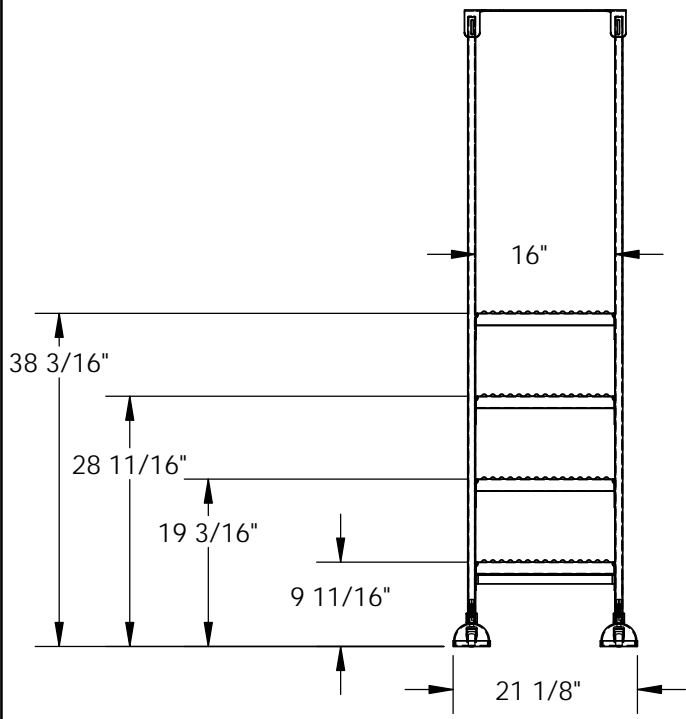


COMMERCIAL ROLLING LADDER, BLUE - LAD-4-B-P

APPROX WEIGHT: 53.64 lbs.
DOES NOT INCLUDE WEIGHT OF POWER OR PACKAGING!!!

*** ANY ADDITIONS, DELETIONS, OR OMISSIONS MUST BE CORRECTED ON THIS DRAWING AS THIS DRAWING WILL BE CONSIDERED ALL INCLUSIVE ***

ALL GRAPHICS PROVIDED ARE FOR REFERENCE ONLY. IF CERTAIN DIMENSIONS ARE CRITICAL PLEASE VERIFY THOSE DIMENSIONS WITH YOUR SALESPERSON



STANDARD FEATURES

- MODEL NUMBER IS LAD-4-B-P
- OVERALL WIDTH IS 21 1/8"
- USABLE WIDTH IS 16"
- OVERALL LENGTH IS 31 13/16"
- OVERALL HEIGHT IS 72 15/16"
- CAPACITY IS 300 LBS
- STEP TYPE: FORMED STEEL STEPS WITH PERFORATED ANTI-SLIP TOP SURFACE
- BOTTOM STEP HEIGHT 9 11/16" ± 1/4"
- TOP STEP HEIGHT 38 3/16" ± 1/4"
- STEP SIZES 8" X 16"
- COLOR: POWDERCOATED BLUE
- SPRING LOADED CASTER WITH STEEL DOME AND RUBBER PAD BOTTOM
- CLIMB ANGLE 58°
- WHEEL SIZE: Ø1 1/2"

SPECIAL FEATURES

NONE

DIMENSION TOLERANCE ± 1/4"

APPROVAL	I, THE UNDERSIGNED, AGREE THAT THE PRODUCT AS REPRESENTED SATISFIES DESIGN AND DIMENSION REQUIREMENTS. I ALSO ACKNOWLEDGE MY DUTY TO CONFIRM PRODUCT AND INSTALLATION COMPLIANCE WITH ALL APPLICABLE FEDERAL, STATE AND LOCAL REGULATIONS AND STANDARDS.	
	ALL SPECIAL UNITS ARE NON-RETURNABLE	
	[] As drawn [] As marked	
Signed: _____	Date: _____	
LEAD TIME WILL START UPON RECEIPT OF SIGNED APPROVAL DRAWING		

FOR INTERNAL USE ONLY PROJECT SIGN OFF	
SALES	
ENG.	
FAB.	
POWER	

DISTRIBUTOR'S NAME:		P.O.#
VESTIL MANUFACTURING		X
W.O.#		X
DRAWN BY:	DATE:	SALES:
B.NOTHNAGEL	10/8/2015	X
REFERENCE:	SCALE:	FILE NAME:
X	1:22	44-007-237
QUOTED LEAD TIME:	QUOTE #	
X	X	