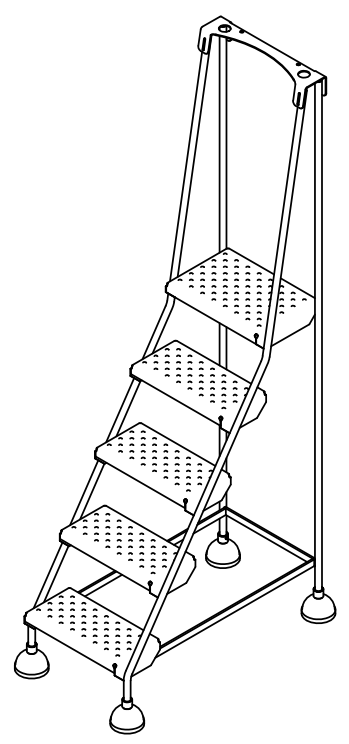
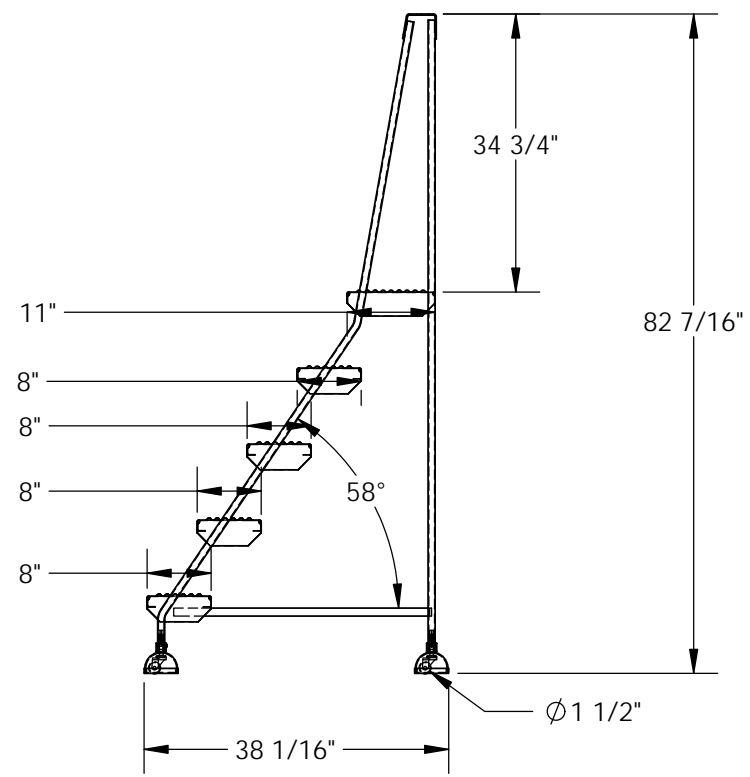
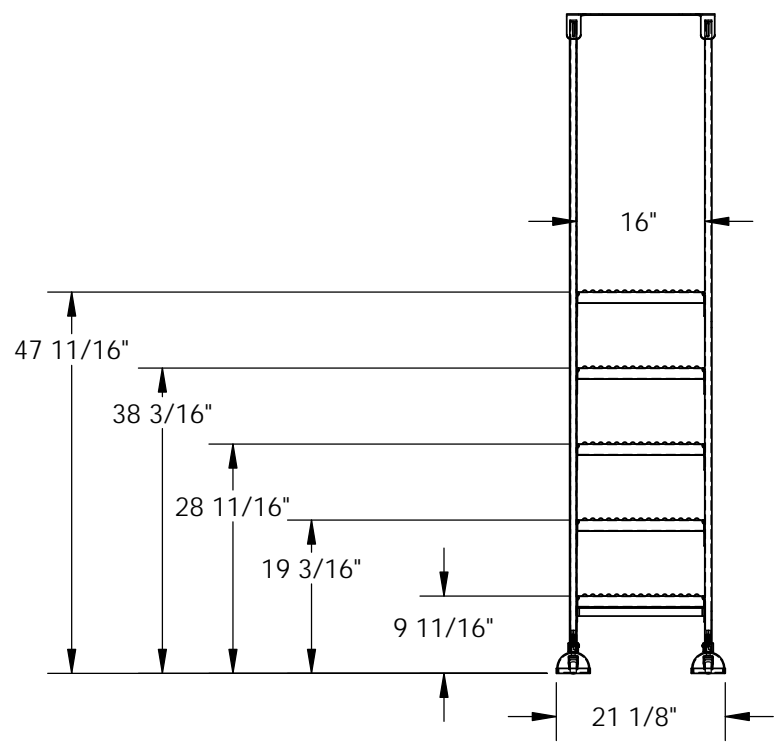


COMMERCIAL ROLLING LADDER, YELLOW - LAD-5-Y-P

APPROX WEIGHT: 61.82 lbs.
 DOES NOT INCLUDE WEIGHT OF POWER OR PACKAGING!!!

*** ANY ADDITIONS, DELETIONS, OR OMISSIONS MUST BE CORRECTED ON THIS DRAWING AS THIS DRAWING WILL BE CONSIDERED ALL INCLUSIVE ***
 ALL GRAPHICS PROVIDED ARE FOR REFERENCE ONLY. IF CERTAIN DIMENSIONS ARE CRITICAL PLEASE VERIFY THOSE DIMENSIONS WITH YOUR SALESPERSON



STANDARD FEATURES

- MODEL NUMBER IS LAD-5-Y-P
- OVERALL WIDTH IS 21 1/8"
- USABLE WIDTH IS 16"
- OVERALL LENGTH IS 38 1/16"
- OVERALL HEIGHT IS 82 7/16"
- CAPACITY IS 300 LBS
- STEP TYPE: FORMED STEEL STEPS WITH PERFORATED ANTI-SLIP TOP SURFACE
- BOTTOM STEP HEIGHT 9 11/16" ± 1/4"
- TOP STEP HEIGHT 47 11/16" ± 1/4"
- STEP SIZES 8" X 16"
- COLOR: POWDERCOATED YELLOW
- SPRING LOADED CASTER WITH STEEL DOME AND RUBBER PAD BOTTOM
- CLIMB ANGLE 58°
- WHEEL SIZE: Ø1 1/2"

DIMENSION TOLERANCE ± 1/4"

A P P R O V A L	I, THE UNDERSIGNED, AGREE THAT THE PRODUCT AS REPRESENTED SATISFIES DESIGN AND DIMENSION REQUIREMENTS. I ALSO ACKNOWLEDGE MY DUTY TO CONFIRM PRODUCT AND INSTALLATION COMPLIANCE WITH ALL APPLICABLE FEDERAL, STATE AND LOCAL REGULATIONS AND STANDARDS.	
	ALL SPECIAL UNITS ARE NON-RETURNABLE	
	[] As drawn [] As marked	
Signed: _____		Date: _____
LEAD TIME WILL START UPON RECEIPT OF SIGNED APPROVAL DRAWING		

SPECIAL FEATURES

NONE

FOR INTERNAL USE ONLY PROJECT SIGN OFF	
SALES	
ENG.	
FAB.	
POWER	

DISTRIBUTOR'S NAME:		P.O.#
VESTIL MANUFACTURING		X
DRAWN BY:	DATE:	W.O.#
B.NOTHNAGEL	10/8/2015	X
REFERENCE:	SCALE:	FILE NAME:
X	1:24	44-007-291
QUOTED LEAD TIME:	QUOTE #	
X	X	