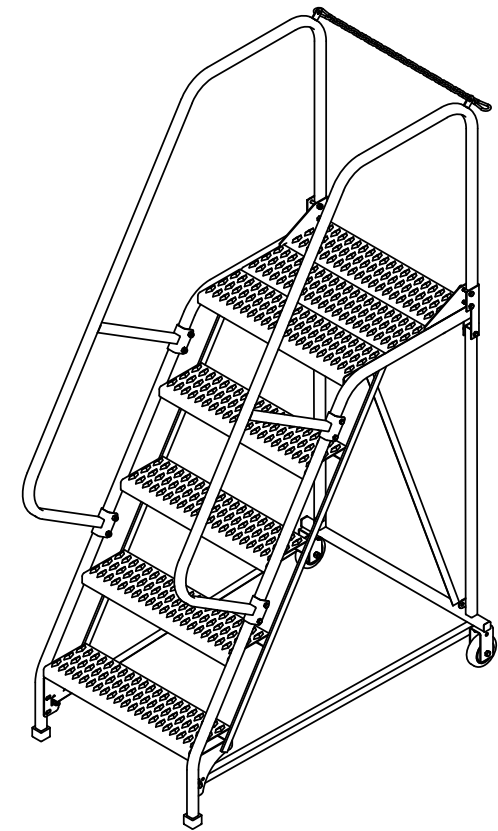
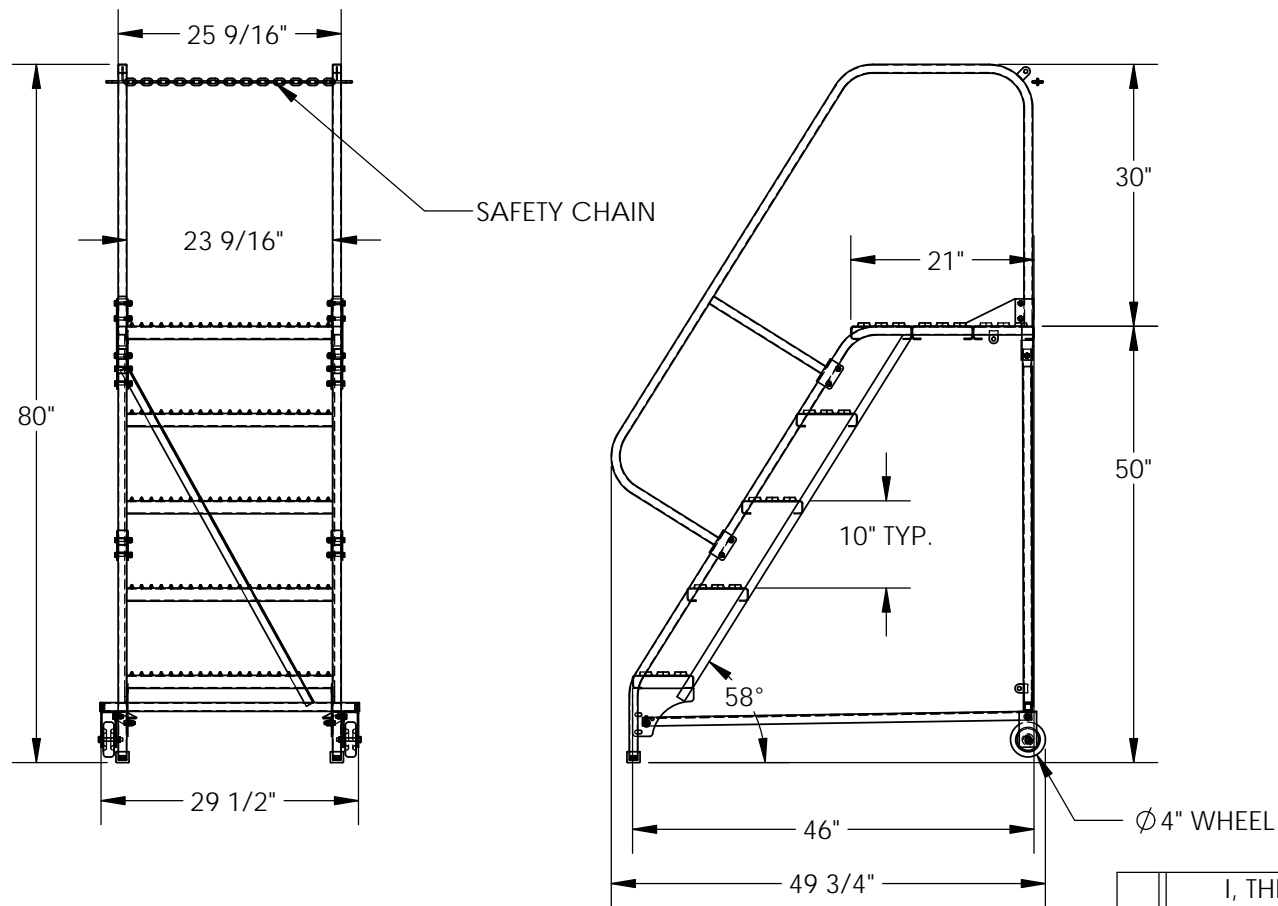


MAINTENANCE LADDER, GRIP STRUT - LAD-MM-5-G

APPROX WEIGHT: 120.05 lbs.
 DOES NOT INCLUDE WEIGHT OF POWER OR PACKAGING!!!

*** ANY ADDITIONS, DELETIONS, OR OMISSIONS MUST BE CORRECTED ON THIS DRAWING AS THIS DRAWING WILL BE CONSIDERED ALL INCLUSIVE ***
 ALL GRAPHICS PROVIDED ARE FOR REFERENCE ONLY. IF CERTAIN DIMENSIONS ARE CRITICAL PLEASE VERIFY THOSE DIMENSIONS WITH YOUR SALESPERSON



DIMENSION TOLERANCE ± 1/4"

STANDARD FEATURES

MODEL NUMBER IS LAD-MM-5-G
 OVERALL WIDTH IS 29 1/2"
 USABLE WIDTH IS 23 9/16"
 OVERALL LENGTH IS 49 3/4"
 USABLE LENGTH IS 46"
 OVERALL HEIGHT IS 80"
 PLATFORM HEIGHT IS 50"
 COLOR: VESTIL BLUE
 STEP TYPE: GRIP STRUT STEPS
 CLIMB ANGLE: 58°
 STEP DIM. 24" X 7"
 MAX CAPACITY IS 350 LBS

SPECIAL FEATURES

NONE

NOTE

-SOME ASSEMBLY REQUIRED
 -TOOL TRAY SOLD SEPARATELY

APPROVAL

I, THE UNDERSIGNED, AGREE THAT THE PRODUCT AS REPRESENTED SATISFIES DESIGN AND DIMENSION REQUIREMENTS. I ALSO ACKNOWLEDGE MY DUTY TO CONFIRM PRODUCT AND INSTALLATION COMPLIANCE WITH ALL APPLICABLE FEDERAL, STATE AND LOCAL REGULATIONS AND STANDARDS.
ALL SPECIAL UNITS ARE NON-RETURNABLE
 [] As drawn [] As marked

Signed: _____ Date: _____

LEAD TIME WILL START UPON RECEIPT OF SIGNED APPROVAL DRAWING

FOR INTERNAL USE ONLY PROJECT SIGN OFF	
SALES	
ENG.	
FAB.	
POWER	

DISTRIBUTOR'S NAME:		P.O.#
VESTIL MANUFACTURING		X
DRAWN BY:	DATE:	W.O.#
B.NOTHNAGEL	8/28/2015	X
REFERENCE:	SCALE:	SALES:
X	1:22	X
QUOTED LEAD TIME:	QUOTE #	FILE NAME:
X	X	44-007-175