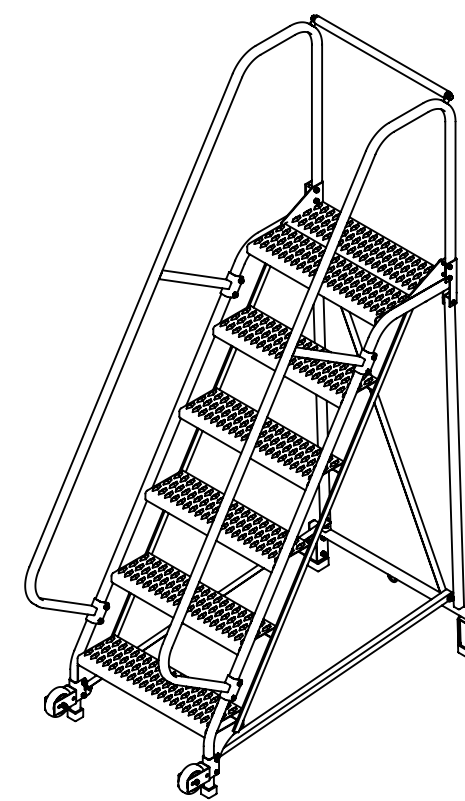
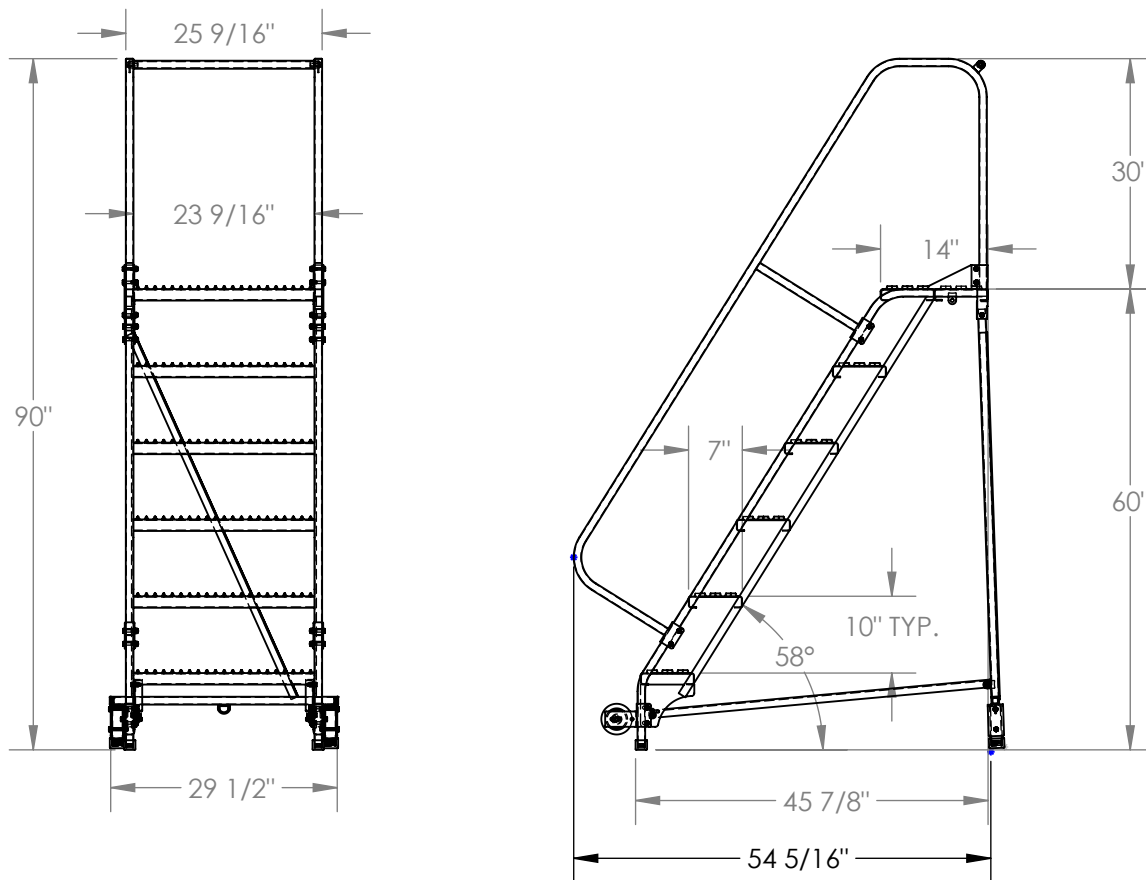


TIP-N-ROLL MOBILE LADDER, NON STRADDLE - LAD-TRN-60-6-G

APPROX WEIGHT: 132.06 lbs.
DOES NOT INCLUDE WEIGHT OF POWER OR PACKAGING!!!

*** ANY ADDITIONS, DELETIONS, OR OMISSIONS MUST BE CORRECTED ON THIS DRAWING AS THIS DRAWING WILL BE CONSIDERED ALL INCLUSIVE ***
ALL GRAPHICS PROVIDED ARE FOR REFERENCE ONLY. IF CERTAIN DIMENSIONS ARE CRITICAL PLEASE VERIFY THOSE DIMENSIONS WITH YOUR SALESPERSON



DIMENSION TOLERANCE ± 1/4"

STANDARD FEATURES

MODEL NUMBER IS LAD-TRN-60-6-G
OVERALL WIDTH IS 29 1/2"
USABLE WIDTH IS 23 9/16"
OVERALL LENGTH IS 54 5/16"
USABLE LENGTH IS 45 7/8"
OVERALL HEIGHT IS 90"
PLATFORM HEIGHT IS 60"
COLOR IS VESTIL BLUE
STEP TYPE IS GRIP STRUT
CLIMB ANGLE IS 58°
STEP DIMENSION IS 24" x 7"
TOP STEP DIMENSION IS 24" x 14"
MAX CAPACITY IS 350 LBS

SPECIAL FEATURES

NONE

NOTE

-SOME ASSEMBLY REQUIRED
-TOOL TRAY SOLD SEPARATELY

APPROVAL

I, THE UNDERSIGNED, AGREE THAT THE PRODUCT AS REPRESENTED SATISFIES DESIGN AND DIMENSION REQUIREMENTS. I ALSO ACKNOWLEDGE MY DUTY TO CONFIRM PRODUCT AND INSTALLATION COMPLIANCE WITH ALL APPLICABLE FEDERAL, STATE AND LOCAL REGULATIONS AND STANDARDS.
ALL SPECIAL UNITS ARE NON-RETURNABLE
[] As drawn [] As marked

Signed: _____ Date: _____

LEAD TIME WILL START UPON RECEIPT OF SIGNED APPROVAL DRAWING

FOR INTERNAL USE ONLY PROJECT SIGN OFF	
SALES	
ENG.	
FAB.	
POWER	

DISTRIBUTOR'S NAME:		P.O.#
VESTIL MANUFACTURING		X
DRAWN BY:	DATE:	W.O.#
B.NOTHNAGEL	01/20/2015	X
REFERENCE:	SCALE:	FILE NAME:
X	1:25	
QUOTED LEAD TIME:	QUOTE #	44-007-385
X	X	