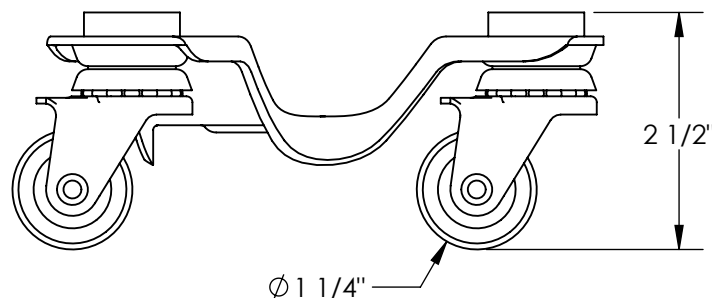
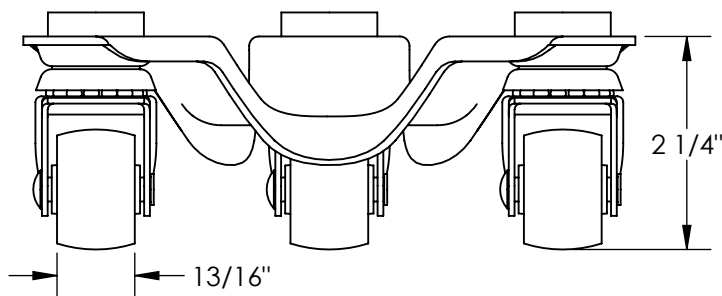
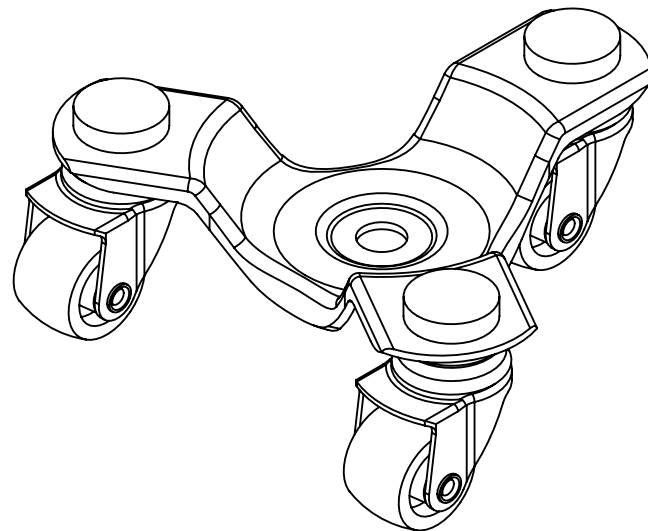
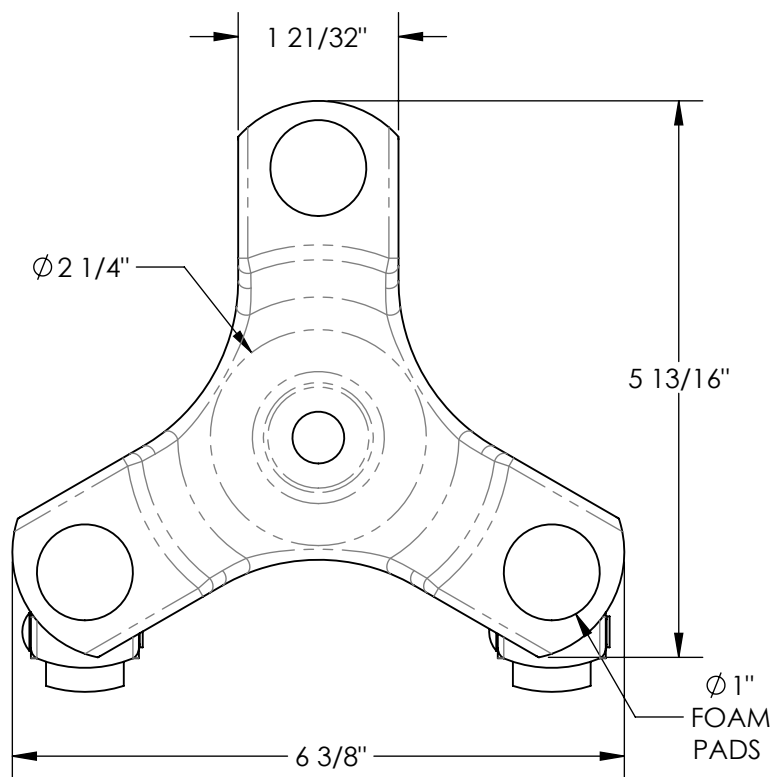


LEG DOLLY - LEG-D

APPROX WEIGHT: 0.97 lbs.
 DOES NOT INCLUDE WEIGHT OF POWER OR PACKAGING!!!

ANY ADDITIONS, DELETIONS, OR OMISSIONS MUST BE CORRECTED ON THIS DRAWING AS THIS DRAWING WILL BE CONSIDERED ALL INCLUSIVE



ALL GRAPHICS PROVIDED ARE FOR REFERENCE ONLY. IF CERTAIN DIMENSIONS ARE CRITICAL PLEASE VERIFY THOSE DIMENSIONS WITH YOUR SALESPERSON

DIMENSION TOLERANCE $\pm 1/4$ "

STANDARD FEATURES

- MODEL NUMBER IS LEG-D
- CAPACITY IS 200 LBS.
- OVERALL WIDTH IS 6 3/8"
- OVERALL LENGTH IS 5 13/16"
- OVERALL HEIGHT IS 2 1/2"
- DECK HEIGHT IS 2 1/4"
- MAX. LOAD DIAMETER IS Ø2 1/4"
- (3) Ø1 1/4" x 13/16" HARD POLY SWIVEL CASTERS
- (3) Ø1" FOAM PADS
- STEEL CONSTRUCTION
- UNIT IS PAINTED BLACK

SPECIAL FEATURES

NONE

A P P R O V A L	I, THE UNDERSIGNED, AGREE THAT THE PRODUCT AS REPRESENTED SATISFIES DESIGN AND DIMENSION REQUIREMENTS. I ALSO ACKNOWLEDGE MY DUTY TO CONFIRM PRODUCT AND INSTALLATION COMPLIANCE WITH ALL APPLICABLE FEDERAL, STATE AND LOCAL REGULATIONS AND STANDARDS.	
	ALL SPECIAL UNITS ARE NON-RETURNABLE <input type="checkbox"/> As drawn <input type="checkbox"/> As marked	
Signed: _____		Date: _____
LEAD TIME WILL START UPON RECEIPT OF SIGNED APPROVAL DRAWING		

DISTRIBUTOR'S NAME:		P.O.#
VESTIL MANUFACTURING		X
		W.O.#
DRAWN BY: TJM		X
DATE: 01/24/12		SALES:
REFERENCE: X		X
SCALE: 1:2		FILE NAME:
QUOTED LEAD TIME: X		48-007-009
QUOTE #		X