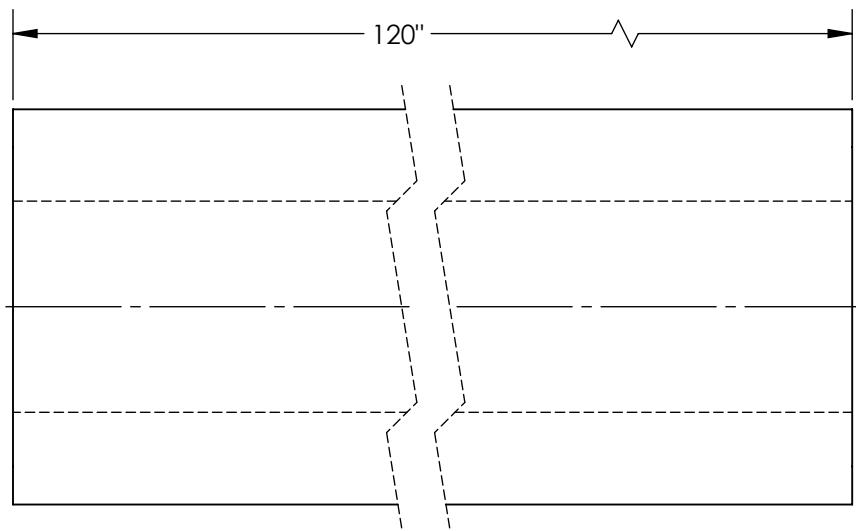
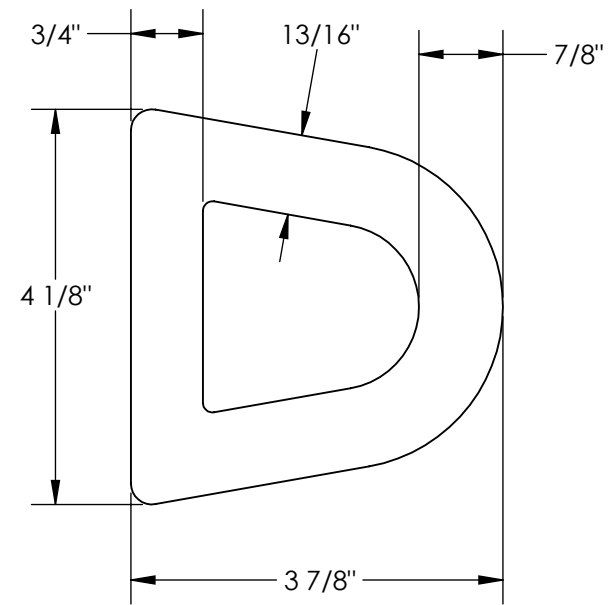


EXTRUDED RUBBER BUMPER (NO HOLES) - M-4-120

APPROX WEIGHT: 38.43 lbs.
DOES NOT INCLUDE WEIGHT OF POWER OR PACKAGING!!!

*** ANY ADDITIONS, DELETIONS, OR OMISSIONS MUST BE CORRECTED ON THIS DRAWING AS THIS DRAWING WILL BE CONSIDERED ALL INCLUSIVE ***
ALL GRAPHICS PROVIDED ARE FOR REFERENCE ONLY. IF CERTAIN DIMENSIONS ARE CRITICAL PLEASE VERIFY THOSE DIMENSIONS WITH YOUR SALESPERSON



NOTE: ACTUAL PART LENGTH
MAY BE -0"/+7"

DIMENSION TOLERANCE ± 3/4"

STANDARD FEATURES

- MODEL NUMBER IS M-4-120
- OVERALL WIDTH IS 4 1/8"
- OVERALL LENGTH IS 120"
- OVERALL HEIGHT IS 3 7/8"
- NUMBER OF MOUNTING HOLES 0
- DUROMETER READING: A70 ± 5
- TENSIL: 1850 PSI
- ELONGATION: 220%
- TEAR STRENGTH: 229 LBS
- IMPACT RESISTANCE: 75%
- BUMPER COLOR: BLACK

SPECIAL FEATURES

NONE

APPROVAL	I, THE UNDERSIGNED, AGREE THAT THE PRODUCT AS REPRESENTED SATISFIES DESIGN AND DIMENSION REQUIREMENTS. I ALSO ACKNOWLEDGE MY DUTY TO CONFIRM PRODUCT AND INSTALLATION COMPLIANCE WITH ALL APPLICABLE FEDERAL, STATE AND LOCAL REGULATIONS AND STANDARDS.	
	ANY MODIFIED UNITS ARE NON-RETURNABLE	
	<input type="checkbox"/> As drawn	<input type="checkbox"/> As marked
	Signed: _____	Date: _____
Printed Name: _____		
<i>LEAD TIME WILL START UPON RECEIPT OF SIGNED APPROVAL DRAWING</i>		

FOR INTERNAL USE ONLY PROJECT SIGN OFF	
SALES	
ENG.	
FAB.	
POWER	

DISTRIBUTOR'S NAME:		P.O.#
VESTIL MANUFACTURING		X
DRAWN BY: JWW		DATE: 04/25/19
REFERENCE: X		SCALE: 1:2
QUOTED LEAD TIME: X		QUOTE #
		X
		SALES: X
		FILE NAME:
		29-007-159