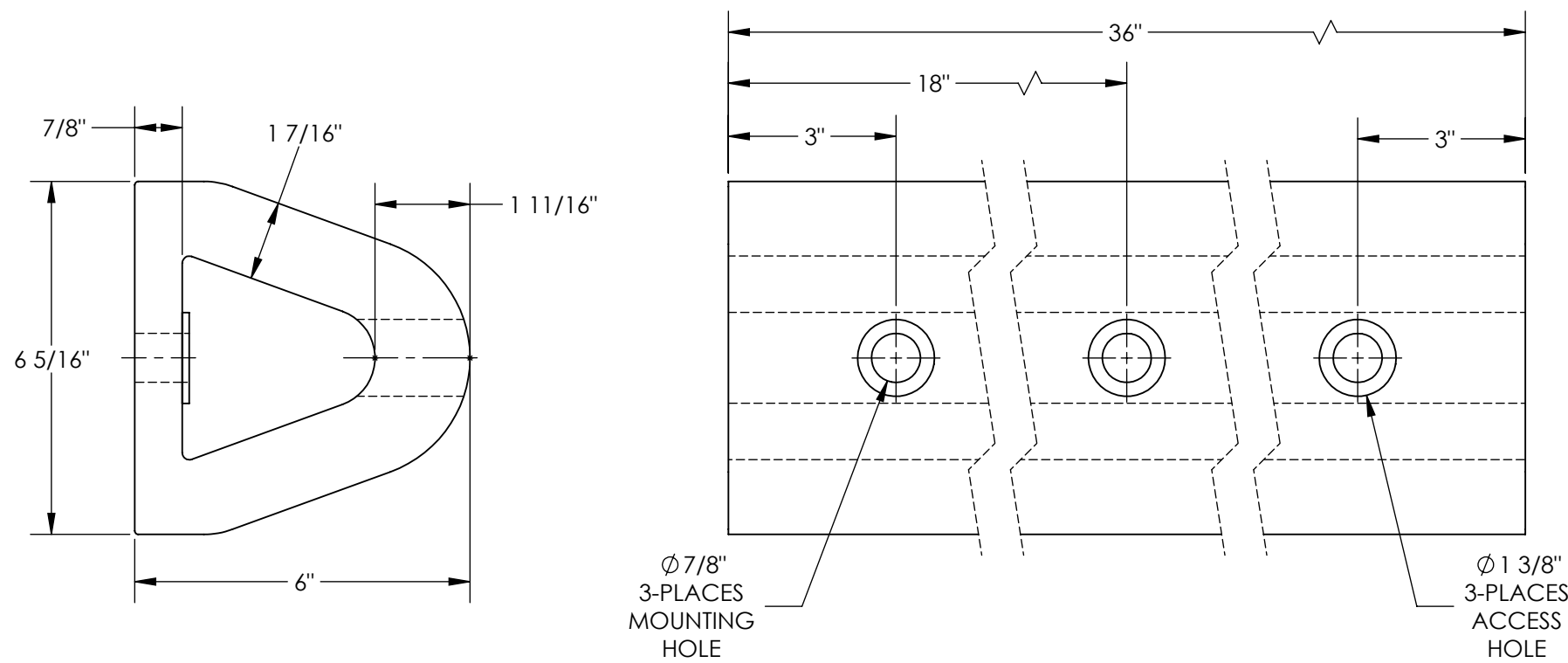


EXTRUDED RUBBER BUMPER - M-6-36

APPROX WEIGHT: 28.21 lbs.
 DOES NOT INCLUDE WEIGHT OF POWER OR PACKAGING!!!

*** ANY ADDITIONS, DELETIONS, OR OMISSIONS MUST BE CORRECTED ON THIS DRAWING AS THIS DRAWING WILL BE CONSIDERED ALL INCLUSIVE ***

ALL GRAPHICS PROVIDED ARE FOR REFERENCE ONLY. IF CERTAIN DIMENSIONS ARE CRITICAL PLEASE VERIFY THOSE DIMENSIONS WITH YOUR SALESPERSON



STANDARD FEATURES

- MODEL NUMBER IS M-6-36
- OVERALL WIDTH IS 6 5/16"
- OVERALL LENGTH IS 36"
- OVERALL HEIGHT IS 6"
- NUMBER OF MOUNTING HOLES 3
- MOUNTING HOLE SIZE ϕ 7/8"
- ACCESS HOLE SIZE ϕ 1 3/8"
- (3)-REINFORCEMENT PLATES INCLUDED
 SIZE: 1 5/8" x 6"
- DUROMETER READING: A70 \pm 5
- TENSIL: 1850 PSI
- ELONGATION: 220%
- TEAR STRENGTH: 229 LBS
- IMPACT RESISTANCE: 75%
- BUMPER COLOR: BLACK

SPECIAL FEATURES

NONE

DIMENSION TOLERANCE \pm 3/4"

APPROVAL	I, THE UNDERSIGNED, AGREE THAT THE PRODUCT AS REPRESENTED SATISFIES DESIGN AND DIMENSION REQUIREMENTS. I ALSO ACKNOWLEDGE MY DUTY TO CONFIRM PRODUCT AND INSTALLATION COMPLIANCE WITH ALL APPLICABLE FEDERAL, STATE AND LOCAL REGULATIONS AND STANDARDS.	
	ANY MODIFIED UNITS ARE NON-RETURNABLE	
	[] As drawn [] As marked	
Signed: _____		Date: _____
Printed Name: _____		
LEAD TIME WILL START UPON RECEIPT OF SIGNED APPROVAL DRAWING		

FOR INTERNAL USE ONLY PROJECT SIGN OFF	
SALES	
ENG.	
FAB.	
POWER	

DISTRIBUTOR'S NAME:		P.O.#
VESTIL MANUFACTURING		X
DRAWN BY: JWW		W.O.#
DATE: 04/25/19		X
REFERENCE: X	SCALE: 1:3	SALES: X
QUOTED LEAD TIME: X	QUOTE #	FILE NAME:
	X	29-007-073