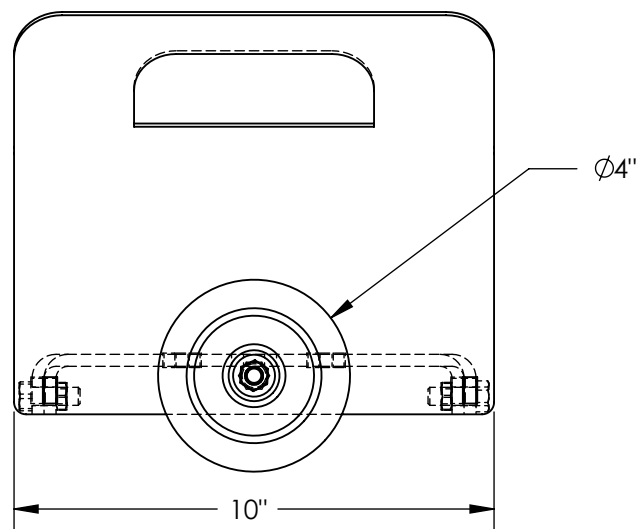
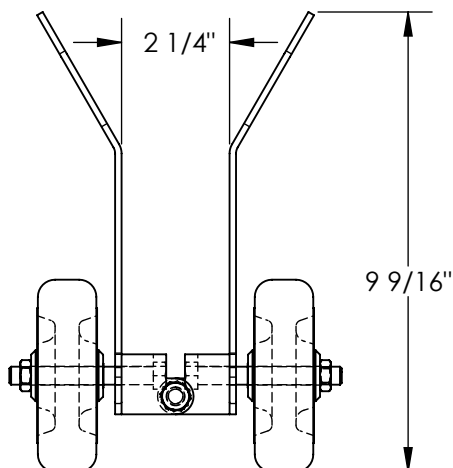
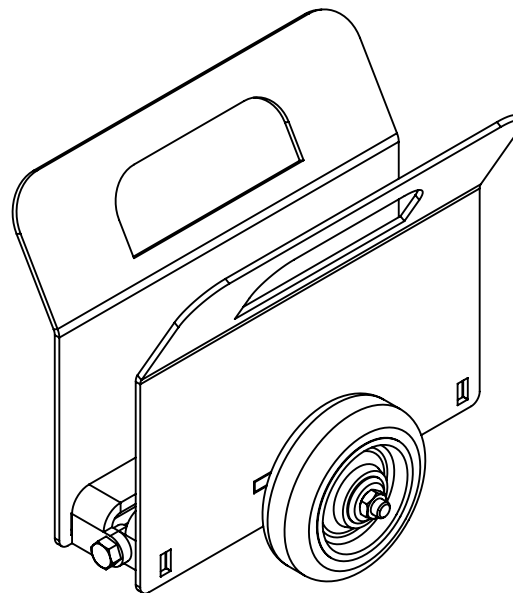
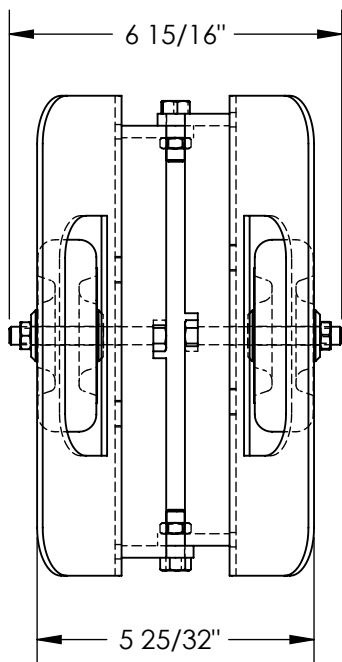


LIGHTWEIGHT PANEL DOLLY - PLDL-LD-2-4PP

APPROX WEIGHT: 8.49 lbs.
DOES NOT INCLUDE WEIGHT OF POWER OR PACKAGING!!!

ANY ADDITIONS, DELETIONS, OR OMISSIONS MUST BE CORRECTED ON THIS DRAWING AS THIS DRAWING WILL BE CONSIDERED ALL INCLUSIVE



ALL GRAPHICS PROVIDED ARE FOR REFERENCE ONLY. IF CERTAIN DIMENSIONS ARE CRITICAL PLEASE VERIFY THOSE DIMENSIONS WITH YOUR SALESPERSON

STANDARD FEATURES

- MODEL NUMBER IS PLDL-LD-2-4PP
- CAPACITY IS: 350 LBS.
- OVERALL WIDTH IS: 6 15/16"
- MAX. USABLE WIDTH IS 2 1/4"
- OVERALL LENGTH IS: 10"
- OVERALL HEIGHT IS: 9 9/16"
- DOLLY AUTOMATICALLY CLAMPS WHEN WEIGHT IS APPLIED
- USES TWO 4" POLY-ON-POLY WHEELS

SPECIAL FEATURES

NONE

APPROVAL

I, THE UNDERSIGNED, AGREE THAT THE PRODUCT AS REPRESENTED SATISFIES DESIGN AND DIMENSION REQUIREMENTS. I ALSO ACKNOWLEDGE MY DUTY TO CONFIRM PRODUCT AND INSTALLATION COMPLIANCE WITH ALL APPLICABLE FEDERAL, STATE AND LOCAL REGULATIONS AND STANDARDS.

ALL SPECIAL UNITS ARE NON-RETURNABLE

[] As drawn [] As marked

Signed: _____ Date: _____

LEAD TIME WILL START UPON RECEIPT OF SIGNED APPROVAL DRAWING

DISTRIBUTOR'S NAME:		P.O.#
VESTIL MANUFACTURING		X
DRAWN BY:		W.O.#
T. MOORE	DATE:	X
06/26/09	SCALE: 1:4	SALES:
REFERENCE:	QUOTE #	X
X	X	FILE NAME:
		16-007-208