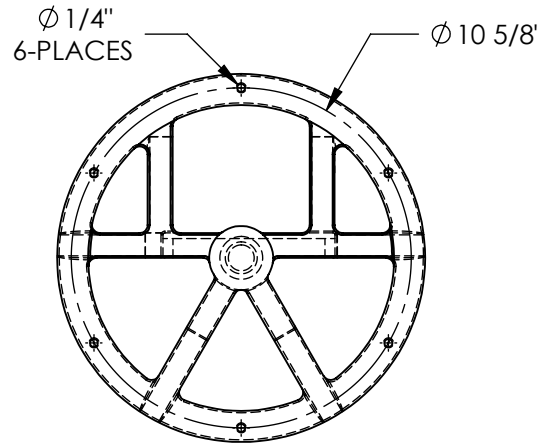
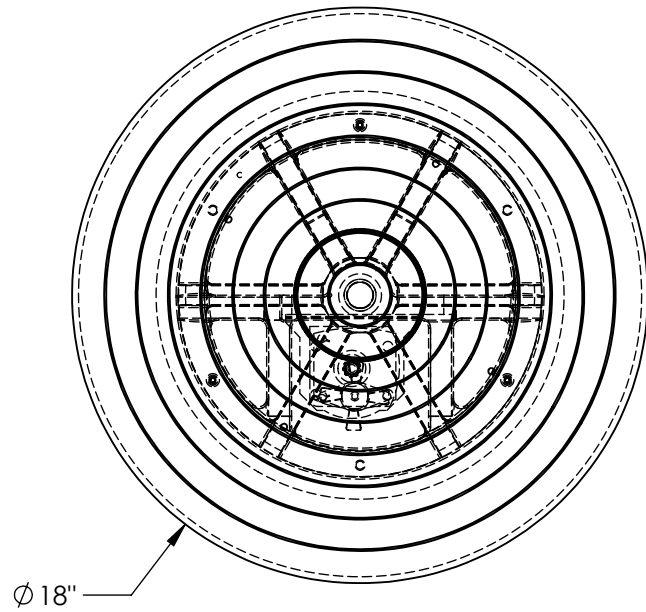


POWERED TURNTABLE - PT-750

APPROX WEIGHT: 71.59 lbs.
DOES NOT INCLUDE WEIGHT OF POWER OR PACKAGING!!!

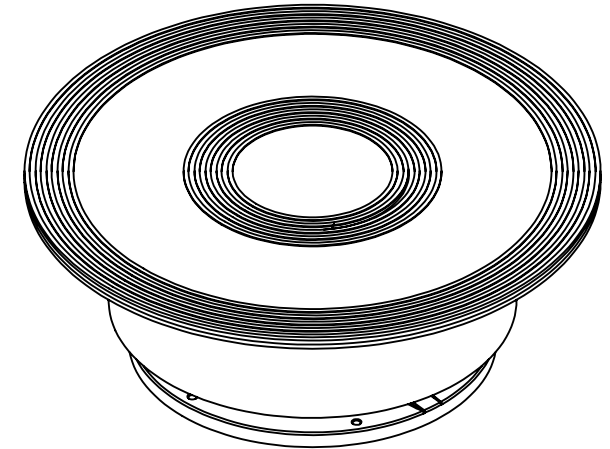
*** ANY ADDITIONS, DELETIONS, OR OMISSIONS MUST BE CORRECTED ON THIS DRAWING AS THIS DRAWING WILL BE CONSIDERED ALL INCLUSIVE ***

ALL GRAPHICS PROVIDED ARE FOR REFERENCE ONLY. IF CERTAIN DIMENSIONS ARE CRITICAL PLEASE VERIFY THOSE DIMENSIONS WITH YOUR SALESPERSON

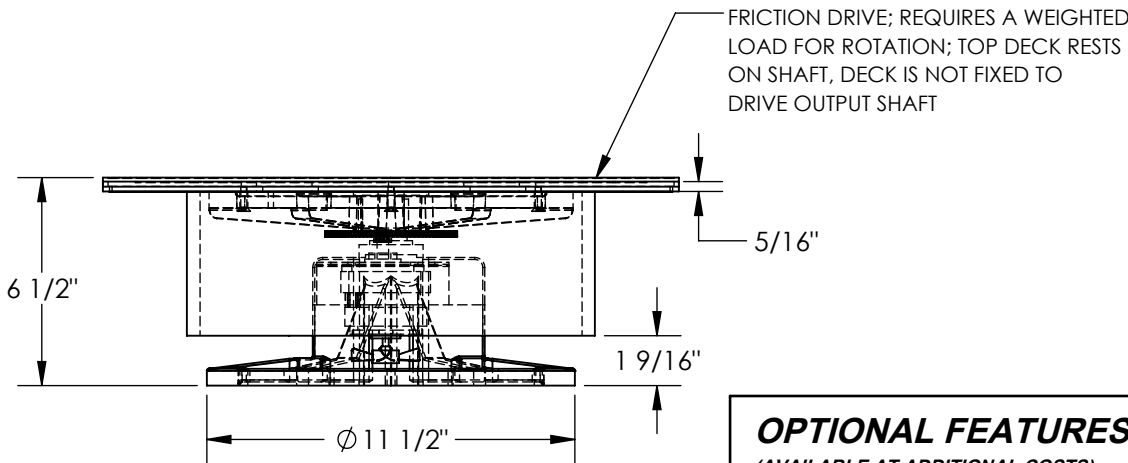


BASEPLATE
BOTTOM VIEW

NOTE:
-DO NOT STAND OR SIT ON UNIT
-MAXIMUM CAPACITY IS 750 LBS.
EVENLY DISTRIBUTED AND BALANCED;
NO OFFSET OR CANTILEVER LOADING.
-MAX. LOAD SIZE IS Ø24" x 36"H
-VARIABLE SPEED ROTATION NOT AVAILABLE
-UNIT TO BE FASTENED TO A FLAT, LEVEL SURFACE



DIMENSION TOLERANCE ± 1/4"



OPTIONAL FEATURES:
(AVAILABLE AT ADDITIONAL COSTS)
*PT-1/2RPM: 1 OR 2 R.P.M. OPTION
*PT-CCW: COUNTER CLOCKWISE ROTATION OPTION

STANDARD FEATURES

MODEL NUMBER IS PT-750
UNIFORM CAPACITY IS 750 LBS.
DIAMETER IS Ø18"
OVERALL HEIGHT IS 6 1/2"
2 RPM, CLOCKWISE ROTATION
115V SINGLE PHASE POWER SUPPLY

SPECIAL FEATURES

NONE

I, THE UNDERSIGNED, AGREE THAT THE PRODUCT AS REPRESENTED SATISFIES DESIGN AND DIMENSION REQUIREMENTS. I ALSO ACKNOWLEDGE MY DUTY TO CONFIRM PRODUCT AND INSTALLATION COMPLIANCE WITH ALL APPLICABLE FEDERAL, STATE AND LOCAL REGULATIONS AND STANDARDS.

ANY MODIFIED UNITS ARE NON-RETURNABLE

[] As drawn [] As marked

Signed: _____ Date: _____

Printed Name: _____

LEAD TIME WILL START UPON RECEIPT OF SIGNED APPROVAL DRAWING

FOR INTERNAL USE ONLY PROJECT SIGN OFF		DISTRIBUTOR'S NAME:		P.O.#
SALES		VESTIL MANUFACTURING		X
ENG.		DRAWN BY: TJM	DATE: 06/13/18	W.O.#
FAB.		REFERENCE: X	SCALE: 1:6	X
POWER		QUOTED LEAD TIME: X	QUOTE #	FILE NAME:
			X	20-007-041

SALES	
ENG.	
FAB.	
POWER	