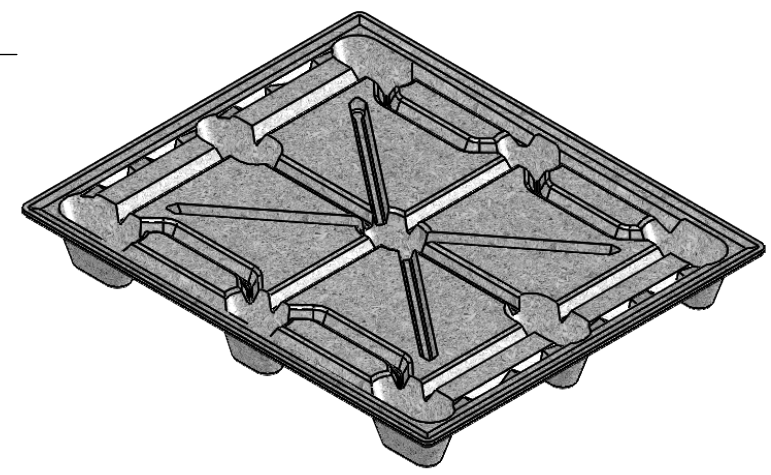
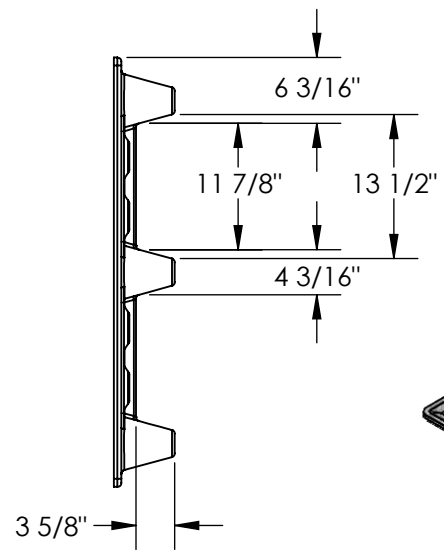
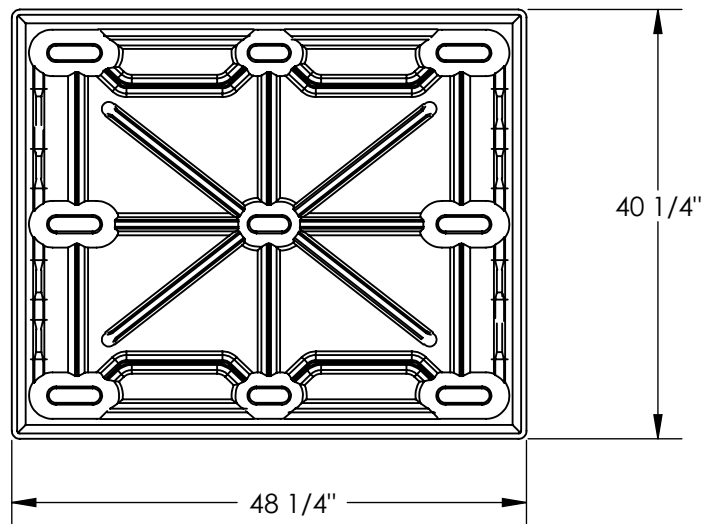


PRESSWOOD PALLET - PWP-4840

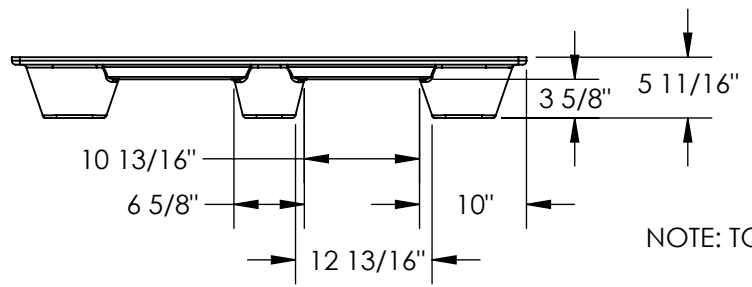
APPROX WEIGHT: 39 lbs.
DOES NOT INCLUDE WEIGHT OF POWER OR PACKAGING!!!

*** ANY ADDITIONS, DELETIONS, OR OMISSIONS MUST BE CORRECTED ON THIS DRAWING AS THIS DRAWING WILL BE CONSIDERED ALL INCLUSIVE ***

ALL GRAPHICS PROVIDED ARE FOR REFERENCE ONLY. IF CERTAIN DIMENSIONS ARE CRITICAL PLEASE VERIFY THOSE DIMENSIONS WITH YOUR SALESPERSON



ISOMETRIC VIEW
SCALE: 1:16



NOTE: TOP PATTERN MAY VARY

STANDARD FEATURES

- MODEL NUMBER: PWP-4840
- OVERALL WIDTH: 48 1/4" (FORK POCKETS 10 13/16" X 3 5/8")
- OVERALL LENGTH: 40 1/4" (FORK POCKETS 11 7/8" X 3 5/8")
- OVERALL HEIGHT: 5 11/16"
- STACKABLE (EACH PALLET ADDS 2" TO OVERALL HEIGHT)
- FLOOR (STATIC) WEIGHT CAPACITY: 6,000 LBS
- FORK (DYNAMIC) WEIGHT CAPACITY: 2,000 LBS
- UNSUPPORTED PALLET RACK WEIGHT CAPACITY: NOT RATED

SPECIAL FEATURES

NONE

APPROVAL	I, THE UNDERSIGNED, AGREE THAT THE PRODUCT AS REPRESENTED SATISFIES DESIGN AND DIMENSION REQUIREMENTS. I ALSO ACKNOWLEDGE MY DUTY TO CONFIRM PRODUCT AND INSTALLATION COMPLIANCE WITH ALL APPLICABLE FEDERAL, STATE AND LOCAL REGULATIONS AND STANDARDS.	
	UNITS REQUIRING APPROVAL DRAWINGS OR MODIFIED ARE NON-RETURNABLE	
	[] As drawn [] As marked	
Signed: _____		Date: _____
LEAD TIME WILL START UPON RECEIPT OF SIGNED APPROVAL DRAWING		

DISTRIBUTOR'S NAME:		P.O.#
VESTIL MANUFACTURING		X
DRAWN BY: DEY		W.O.#
DATE: 11/09/10		X
REFERENCE: X	SCALE: 1:18	SALES: X
QUOTED LEAD TIME: X	QUOTE #	FILE NAME:
	X	30-007-139