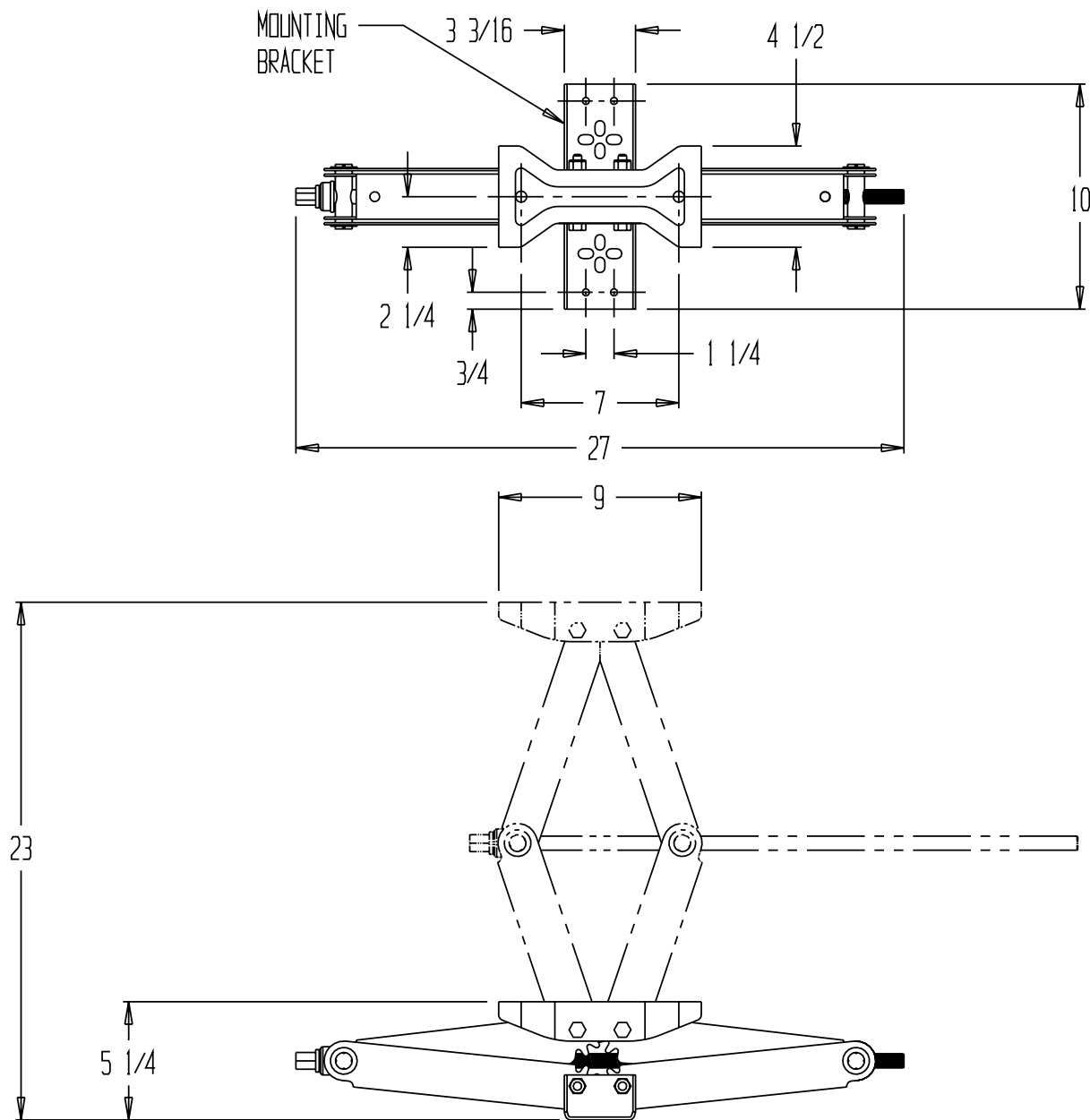


# SCISSOR TRAILER JACK, SJ-7523



## STANDARD FEATURES

MODEL NUMBER: SJ-7523  
 CAPACITY: 7,500 LBS.  
 OVERALL WIDTH: 10"  
 OVERALL LENGTH: 27"  
 SERVICE RANGE: 5 1/4" MIN., 23" MAX.

\*JACK CRANK HANDLE NOT INCLUDED\*

## SPECIAL FEATURES

NONE

\*\*SPECIAL UNITS ARE NON-RETURNABLE  
 \*AVAILABLE AT ADDITIONAL COSTS

LEAD TIME WILL START UPON  
 RECEIPT OF SIGNED APPROVAL  
 DRAWING

## APPROVAL

I, the undersigned, hereby approve this print  
 As drawn     As marked  
 This includes my approval of design & dimensions.  
 Signed: \_\_\_\_\_  
 Date: \_\_\_\_\_

DISTRIBUTOR'S NAME:		P.O.#: -
VESTIL MANUFACTURING		W.O.#: -
DRAWN BY: SR	DATE: 8-9-05	SALES: -
REFERENCE:	DRWG./FILE NAME:	
-	SCALE: 1:8	SJ-7523