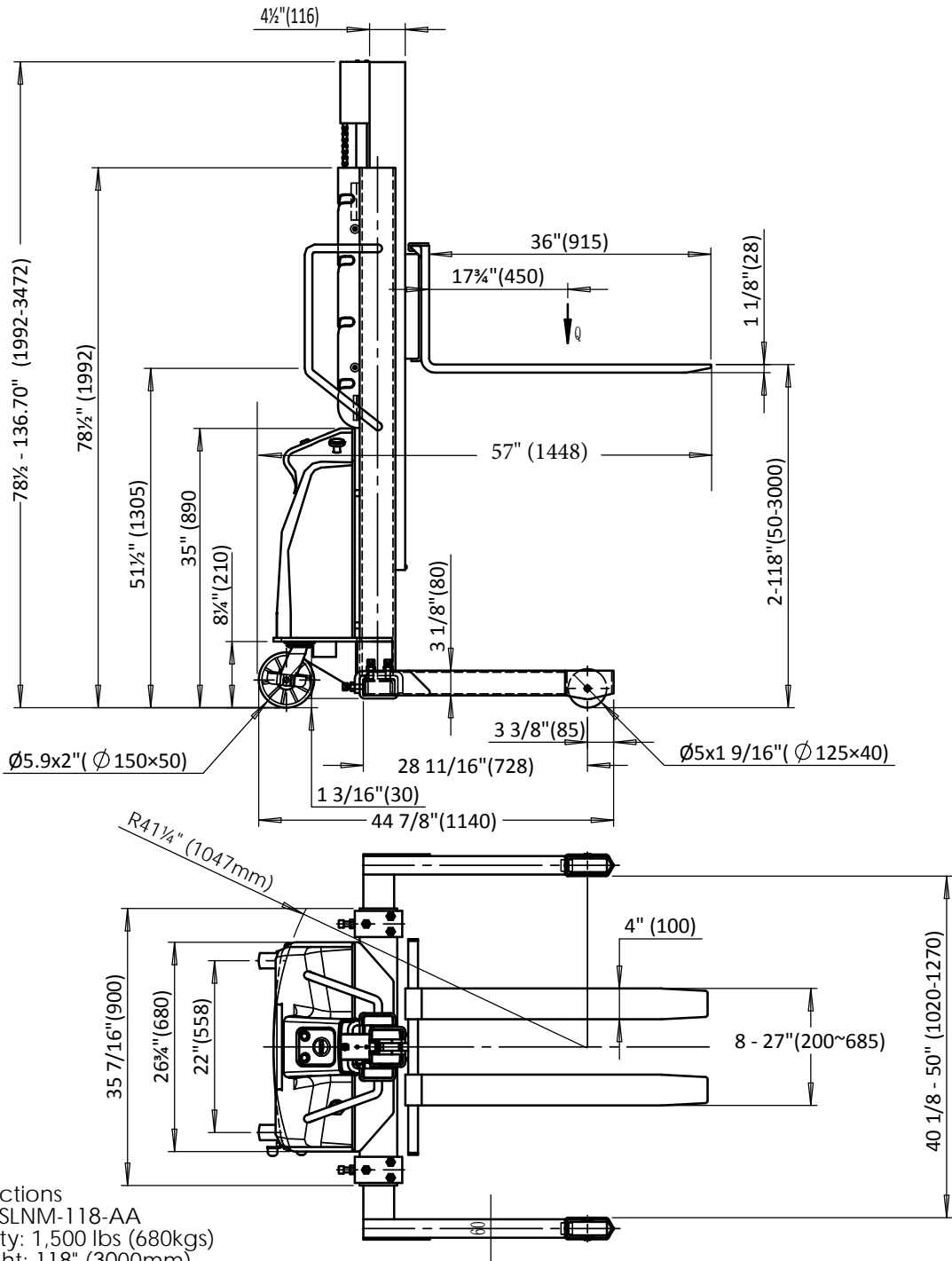


SLNM-118-AA (Narrow Mast Semi-Electric Stacker with Adjustable Forks and Adjustable Legs)



Specifications
 Model: SLNM-118-AA
 Capacity: 1,500 lbs (680kgs)
 Lift Height: 118" (3000mm)
 Lowered Height: 2" (50mm)
 Adjustable Legs & Adjustable Forks
 Overall Mast Height: 78 1/2" (1742mm)
 Lift Motor: DC12V/1.3KW
 Battery: 12V/140Ah
 Battery Charger: 12V/6amp

Raise Time Loaded: 5.9"/s
 Raise Time Unloaded: 2.95"/s
 Down Time Loaded: 4"/s
 Down Time Unloaded: 3.15"/s

VESTIL MANUFACTURING CORP.	
Model: SLNM-118-AA	
Description: Narrow Mast Semi-Electric Stacker with Adjustable Forks and Adjustable Legs	
DRAWN BY: T.M	DATE: 08/21/20