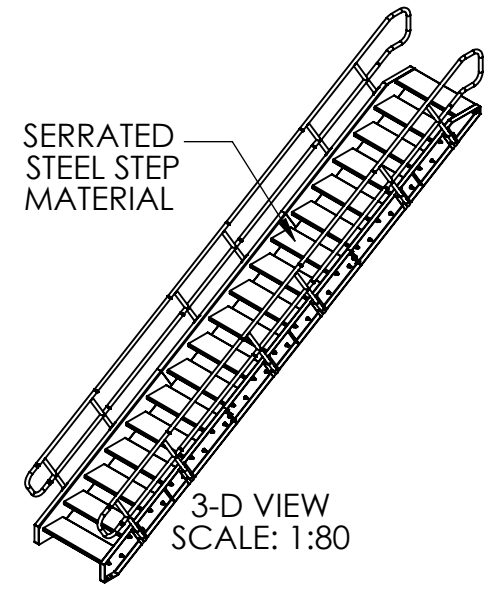
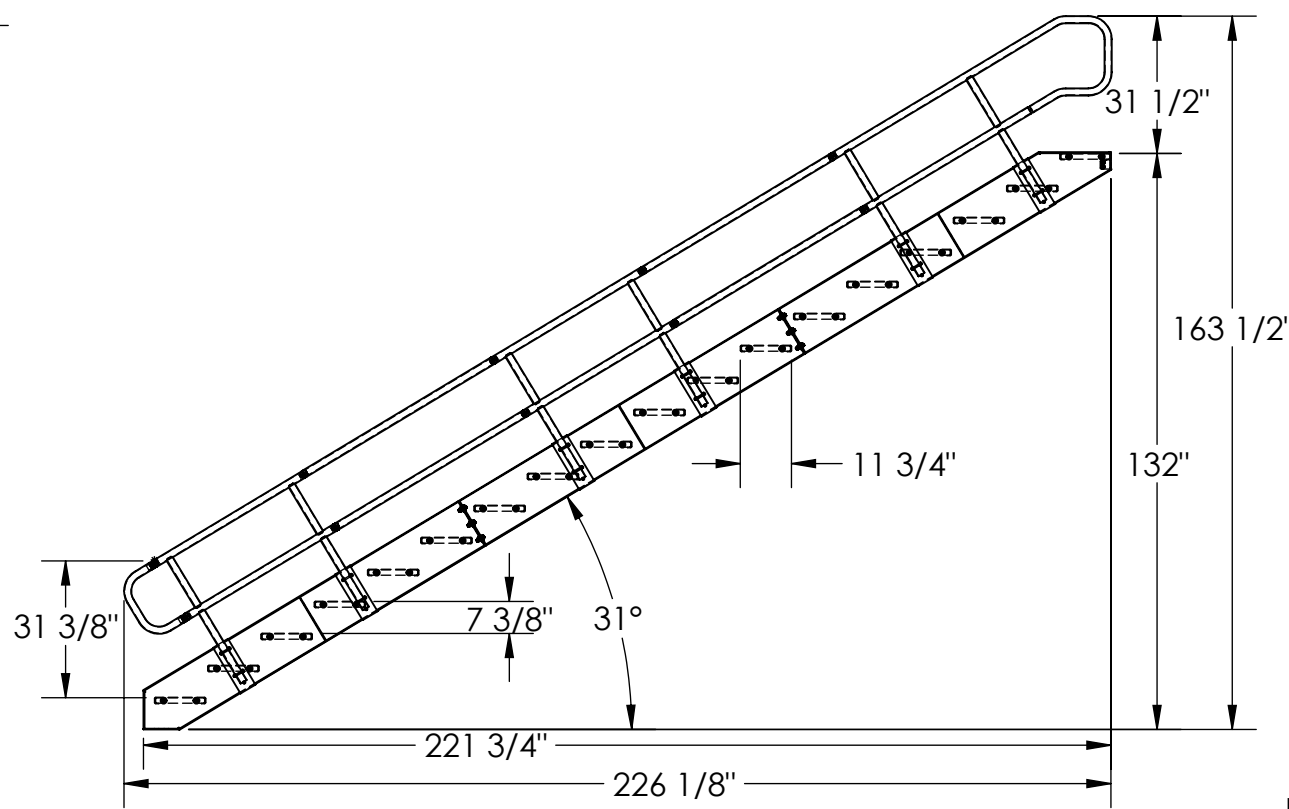
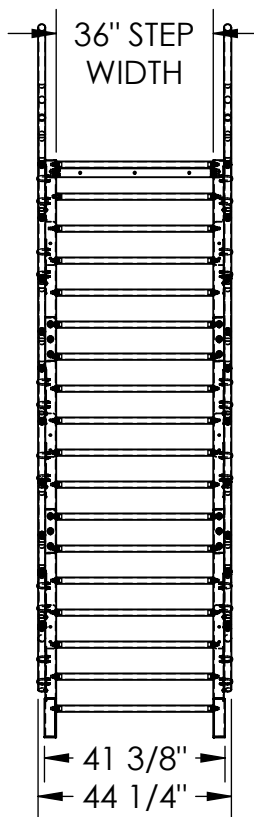


MODULAR STYLE STAIRWAY, STAIR-132

APPROX WEIGHT: 1018.62 lbs.
DOES NOT INCLUDE WEIGHT OF POWER OR PACKAGING!!!

*** ANY ADDITIONS, DELETIONS, OR OMISSIONS MUST BE CORRECTED ON THIS DRAWING AS THIS DRAWING WILL BE CONSIDERED ALL INCLUSIVE ***
ALL GRAPHICS PROVIDED ARE FOR REFERENCE ONLY. IF CERTAIN DIMENSIONS ARE CRITICAL PLEASE VERIFY THOSE DIMENSIONS WITH YOUR SALESPERSON



DIMENSION TOLERANCE $\pm 1/4"$

STANDARD FEATURES

- MODEL NUMBER: STAIR-132
- MAX CAPACITY: 1,000 LBS.
- STEP WIDTH: 36"
- STEP HEIGHT SPACING: 11 3/4"
- TOP STEP HEIGHT: 132"
- RUN DIMENSION: 221 3/4"
- OVERALL WIDTH: 44 1/4"
- OVERALL LENGTH: 226 1/8"
- OVERALL HEIGHT: 163 1/2"
- STEEL TREADPLATE
- STEP MATERIAL (31 1/2" DEEP x 36" WIDE)
- CLIMB ANGLE: 31° (APPROX.)
- STAIR IS TOUGH BAKED IN POWDER COATED BLUE FINISH
- HANDRAIL IS TOUGH BAKED IN POWDER COATED YELLOW FINISH
- MODULAR DESIGN WITH BOLT-ON HANDRAIL
- UNIT SHIPS KNOCKED-DOWN ASSEMBLY (REQUIRED)
- TOP STEP IS FLUSH WITH THE LANDING

SPECIAL FEATURES

NONE

APPROVAL	I, THE UNDERSIGNED, AGREE THAT THE PRODUCT AS REPRESENTED SATISFIES DESIGN AND DIMENSION REQUIREMENTS. I ALSO ACKNOWLEDGE MY DUTY TO CONFIRM PRODUCT AND INSTALLATION COMPLIANCE WITH ALL APPLICABLE FEDERAL, STATE AND LOCAL REGULATIONS AND STANDARDS.	
	UNITS REQUIRING APPROVAL DRAWINGS OR MODIFIED ARE NON-RETURNABLE	
	[] As drawn [] As marked	
	Signed: _____ Date: _____	
	Printed Name: _____	
<i>LEAD TIME WILL START UPON RECEIPT OF SIGNED APPROVAL DRAWING</i>		

DISTRIBUTOR'S NAME:		P.O.#
VESTIL MANUFACTURING		X
		W.O.#
DRAWN BY: NBE	DATE: 10/19/2021	SALES: X
REFERENCE: X	SCALE: 1:44	FILE NAME:
QUOTED LEAD TIME: X	QUOTE # X	44-007-725