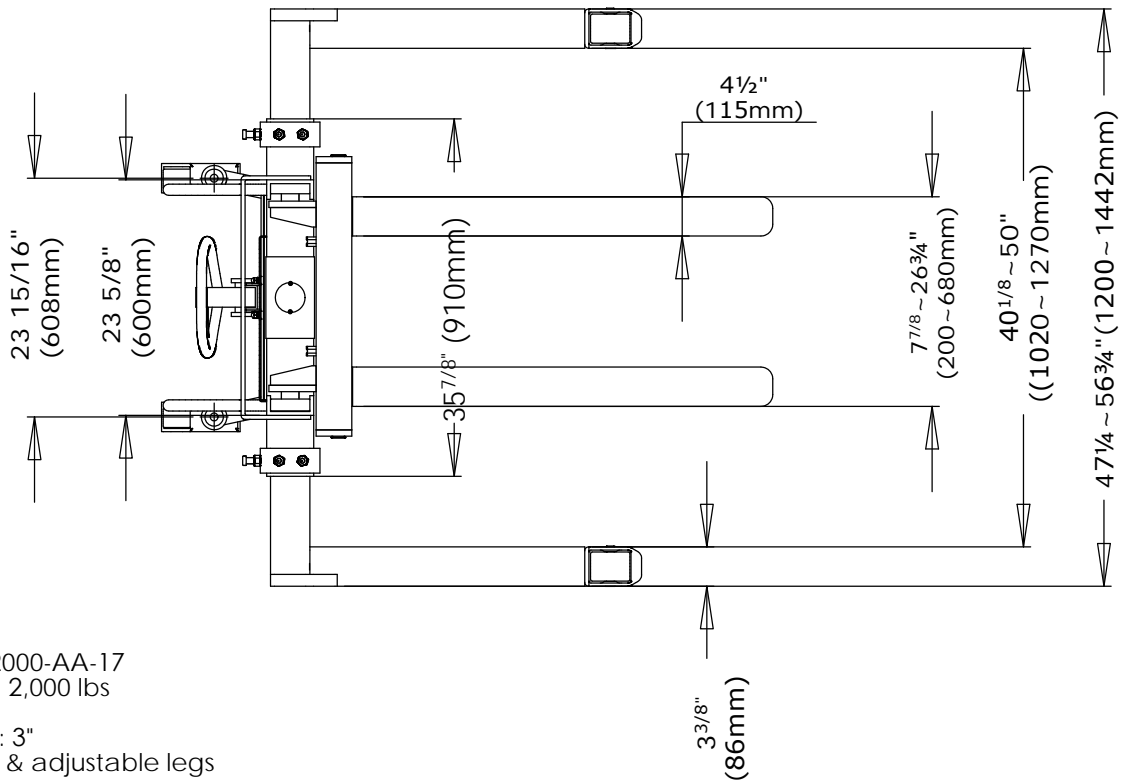
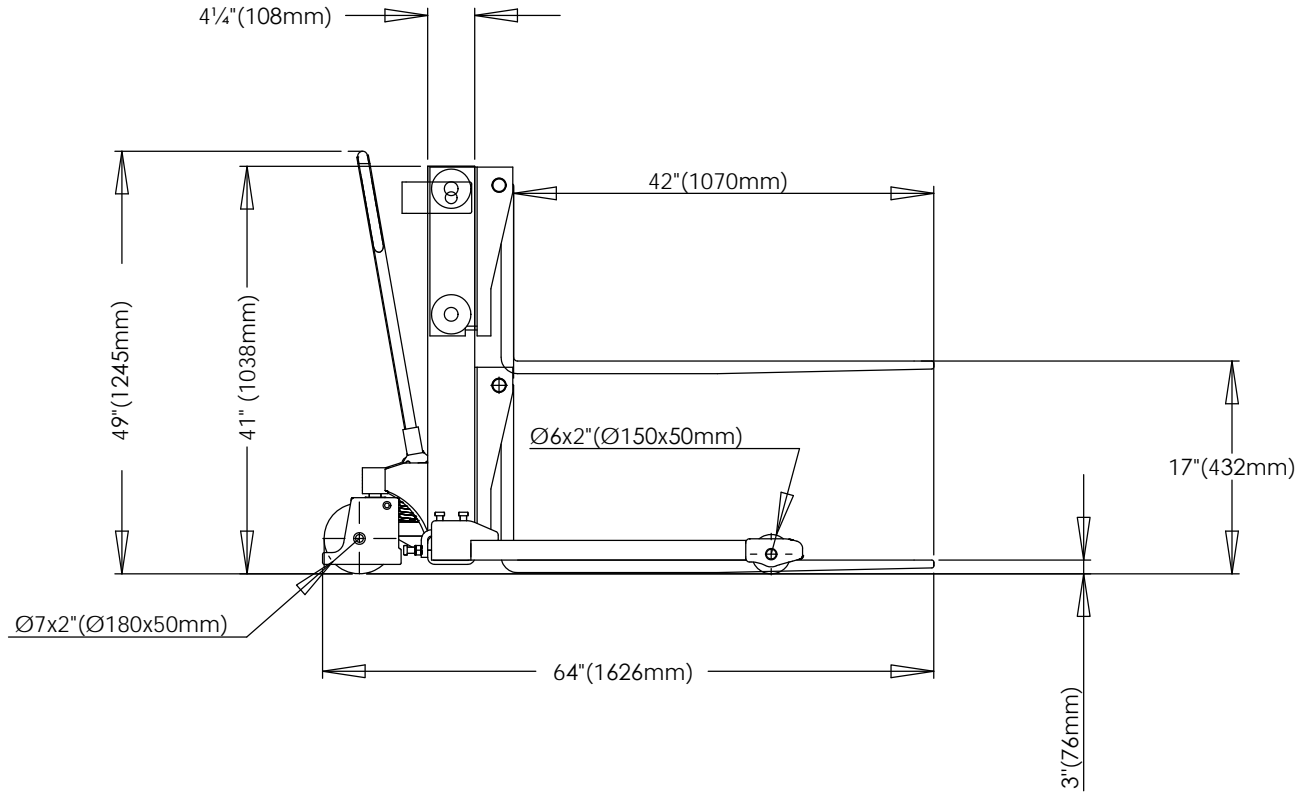


VHPS-2000-AA-17 (MANUAL HYDRAULIC HAND PUMP STACKER - ADJUSTABLE FORKS/ADJUSTABLE LEGS)



Specifications

- *Model # VHPS-2000-AA-17
- *Capacity (UDL): 2,000 lbs
- *Lift height: 17"
- *Lowered height: 3"
- *Adjustable forks & adjustable legs
- *Single mast
- *Number of pumps to raise to maximum height: 21
- * $7/8$ " stroke per pump
- *Down time loaded/unloaded: 6/5 secs
- *Overall mast height: 41"
- *Steering wheel: $\text{Ø}7 \times 2$ "
- *Front wheel: $\text{Ø}6 \times 2$ "

VESTIL MANUFACTURING CORP.		
DRAWN BY: TM	DATE:08/31/15	
Reference:		DRWG./FILE NAME: VHPS-2000-AA-18