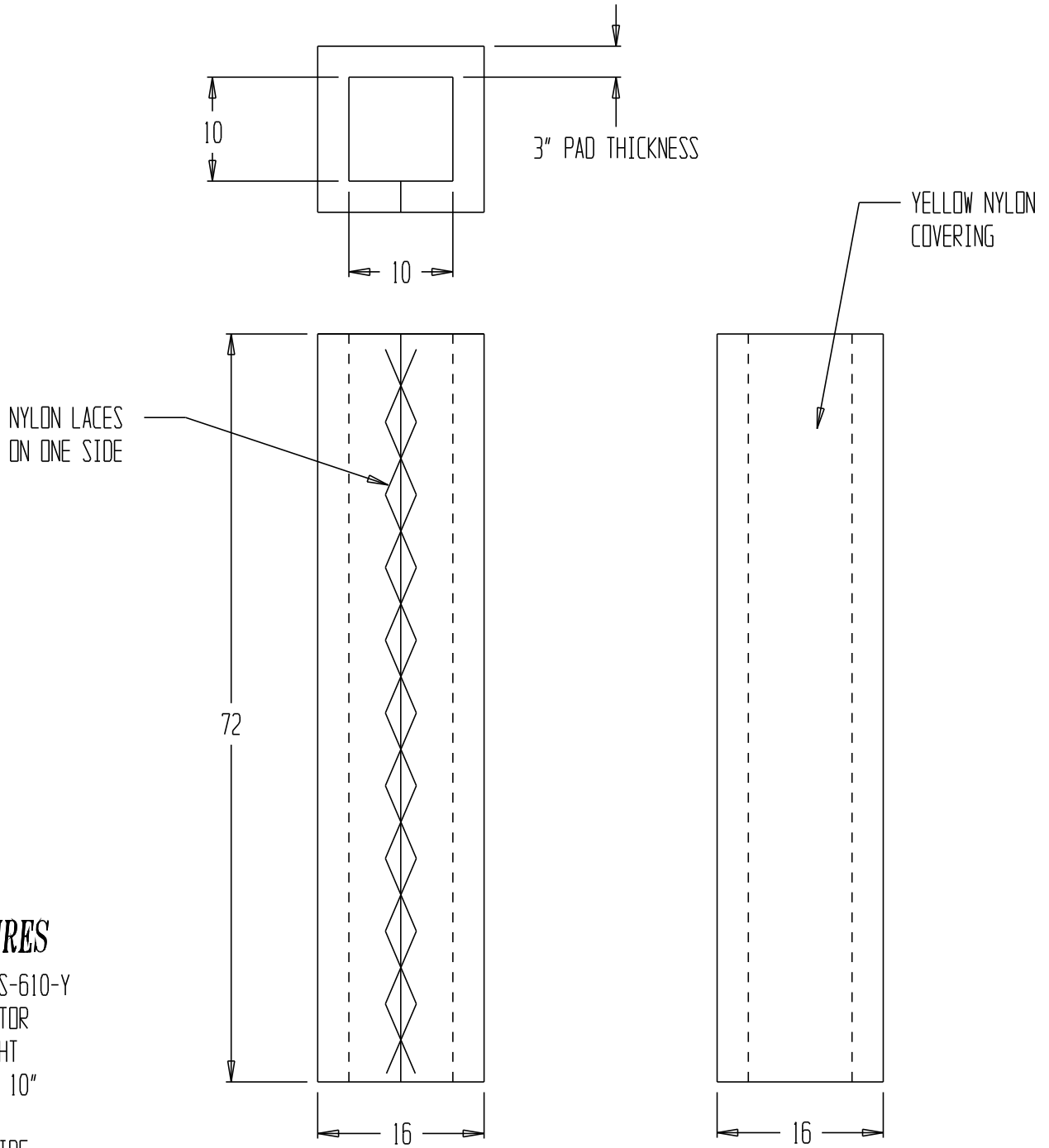


# STRUCTURAL COLUMN PAD - V-PAD-S-610-Y

DO NOT DUPLICATE © 2016 VESTIL MANUFACTURING



## STANDARD FEATURES

- MODEL NUMBER: V-PAD-S-610-Y
- SQUARE COLUMN PROTECTOR
- 72" OVERALL PAD HEIGHT
- COLUMN SIZE IS 10" x 10"
- ONE PIECE DESIGN
- NYLON LACES ON ONE SIDE
- 3" PAD THICKNESS
- YELLOW NYLON COVERING

## SPECIAL FEATURES

Any additions, deletions or omissions must be corrected on this drawing, as this drawing will be considered all inclusive.

All graphics provided are for reference only. If certain dimensions are critical please verify those dimensions with your salesperson

**A  
P  
P  
R  
O  
V  
A  
L**

I, THE UNDERSIGNED, AGREE THAT THE PRODUCT AS REPRESENTED SATISFIES DESIGN & DIMENSION REQUIREMENTS. I ALSO ACKNOWLEDGE MY DUTY TO CONFIRM PRODUCT & INSTALLATION COMPLIANCE WITH ALL APPLICABLE FEDERAL, STATE AND LOCAL REGULATIONS & STANDARDS.

**ANY MODIFIED UNITS ARE NON-RETURNABLE**

[ ] As drawn [ ] As marked

Signed: \_\_\_\_\_ Date: \_\_\_\_\_

Printed Name: \_\_\_\_\_

LEAD TIME WILL START UPON RECEIPT OF SIGNED APPROVAL DRAWING

FOR INTERNAL USE ONLY PROJECT SIGN OFF	
SALES	
ENG.	
FAB.	
POWER	

DISTRIBUTOR'S NAME: -		P.O.#: -
DRAWN BY: BB		W.D.#: -
DATE: 2/25/14	SCALE: 1:16	SALES: -
REFERENCE: -	QUOTED LEADTIME: -	DRWG./FILE NAME: V-PAD-S-610
QUOTE #:		