

POWER LIFT JIB CRANE - WTJ-20-4-AC

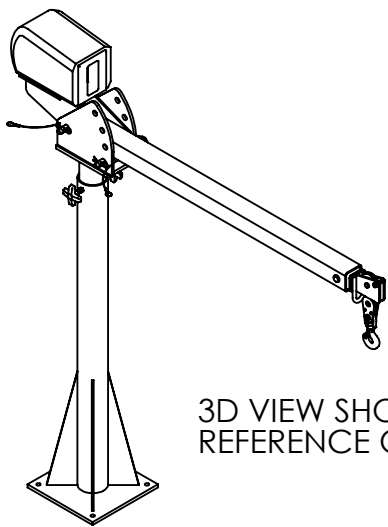
APPROX WEIGHT: 374.26 lbs. DOES NOT INCLUDE WEIGHT OF POWER OR PACKAGING!!!

ANY ADDITIONS, DELETIONS, OR OMISSIONS MUST BE CORRECTED ON THIS DRAWING AS THIS DRAWING WILL BE CONSIDERED ALL INCLUSIVE
 ALL GRAPHICS PROVIDED ARE FOR REFERENCE ONLY. IF CERTAIN DIMENSIONS ARE CRITICAL PLEASE VERIFY THOSE DIMENSIONS WITH YOUR SALESPERSON

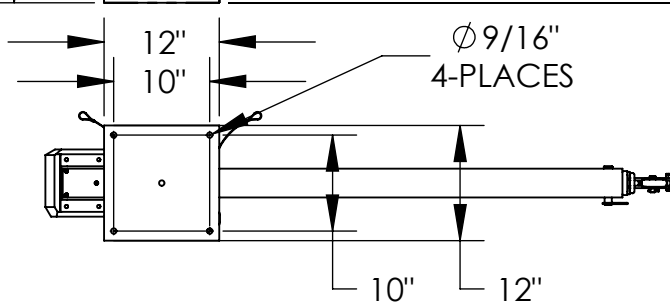
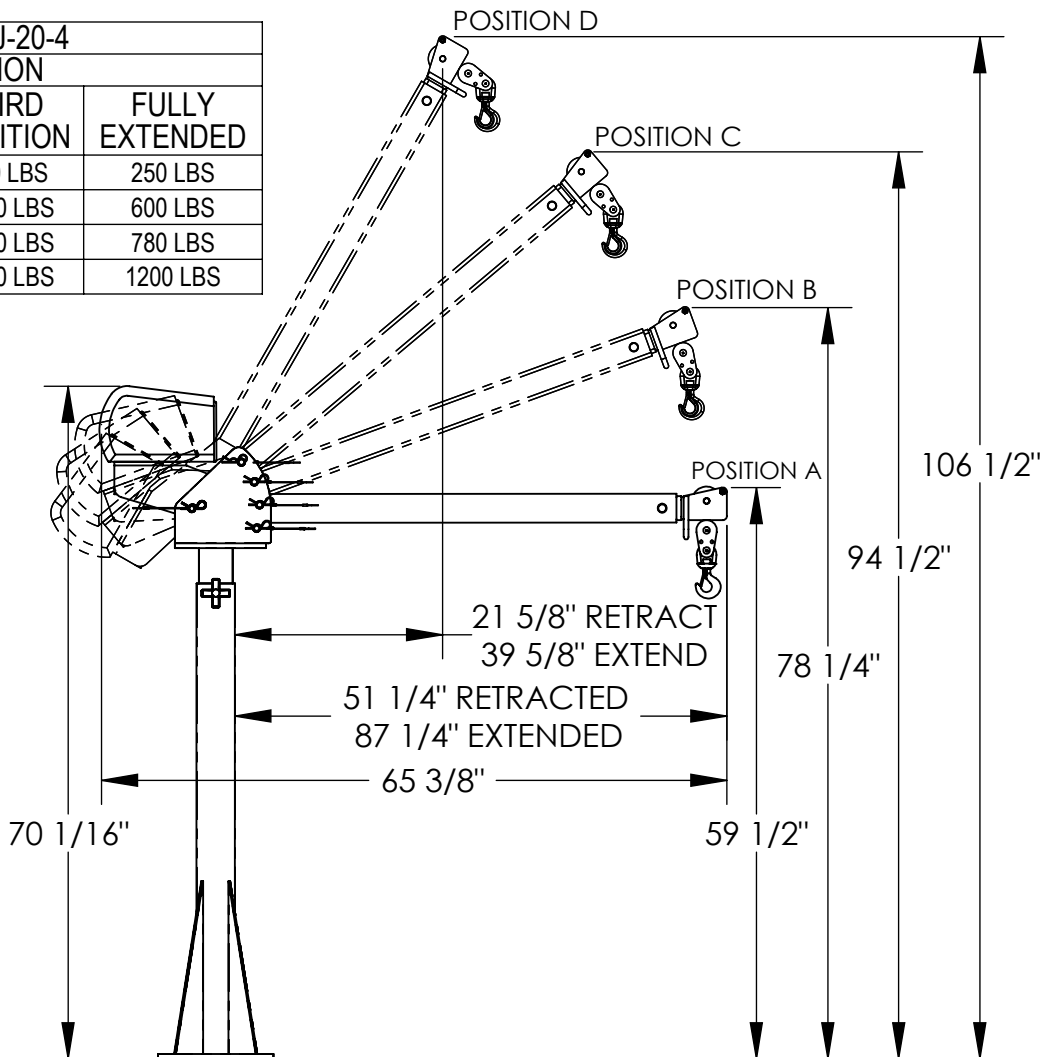
BOOM CAPACITY CHART WTJ-20-4

BOOM POSITION	BOOM EXTENSION			
	FULLY RETRACTED	SECOND POSITION	THIRD POSITION	FULLY EXTENDED
A	1100 LBS	800 LBS	600 LBS	250 LBS
B	1500 LBS	1200 LBS	1000 LBS	600 LBS
C	1850 LBS	1450 LBS	1250 LBS	780 LBS
D	2000 LBS	2000 LBS	1900 LBS	1200 LBS

SPECIAL FOUNDATION MAY BE REQUIRED, SEE OWNERS MANUAL FOR DETAILS. UNIT IS DESIGNED FOR VERTICAL LIFTING ONLY. DO NOT USE FOR LIFTING PERSONNEL OR FOR OVERHEAD LIFTING.



3D VIEW SHOWN FOR REFERENCE ONLY



FOR INTERNAL USE ONLY PROJECT SIGN OFF	
SALES	
ENG.	
FAB.	
POWER	

DIMENSION TOLERANCE ± 1/4"

STANDARD FEATURES

- MODEL NUMBER IS: WTJ-20-4-AC
- CAPACITY IS: 2,000 LBS.
- OVERALL WIDTH IS: 12"
- OVERALL LENGTH IS: 65 3/8"
- USABLE RETRACTED LENGTH IS: 51 1/4"
- USABLE EXTENDED LENGTH IS: 87 1/4"
- OVERALL HEIGHT IS: 70 1/16"
- OVERALL STORAGE HEIGHT IS: 73"
- 115V AC POWERED WINCH
- WITH FINGER TIP TOGGLE SWITCH
- Ø7/32" X 25' LG CABLE AND HOOK
- DURABLE LIQUID PAINT BLUE FINISH

SPECIAL FEATURES

NONE

APPROVAL

I, THE UNDERSIGNED, AGREE THAT THE PRODUCT AS REPRESENTED SATISFIES DESIGN AND DIMENSION REQUIREMENTS. I ALSO ACKNOWLEDGE MY DUTY TO CONFIRM PRODUCT AND INSTALLATION COMPLIANCE WITH ALL APPLICABLE FEDERAL, STATE AND LOCAL REGULATIONS AND STANDARDS.

ANY MODIFIED UNITS ARE NON-RETURNABLE

[] As drawn [] As marked

Signed: _____ Date: _____

Printed Name: _____

LEAD TIME WILL START UPON RECEIPT OF SIGNED APPROVAL DRAWING

DISTRIBUTOR'S NAME:		P.O.#
VESTIL MANUFACTURING		X
DRAWN BY: ND		DATE: 5/10/08
REFERENCE: X		SCALE: 1:20
QUOTED LEAD TIME: X		QUOTE # X
		SALES: X
		FILE NAME: 28-007-107