

L2688 Rev. E 03/21

For early models with date codes beginning with the Letter "A".
For models with eight digit Julian date codes (May 2009 and later).

Enerpac recommends that all kit components be installed to assure optimum performance of the repaired product.

Enerpac recommends that all torque wrenches should be verified for accuracy prior to use with any torque multiplier.

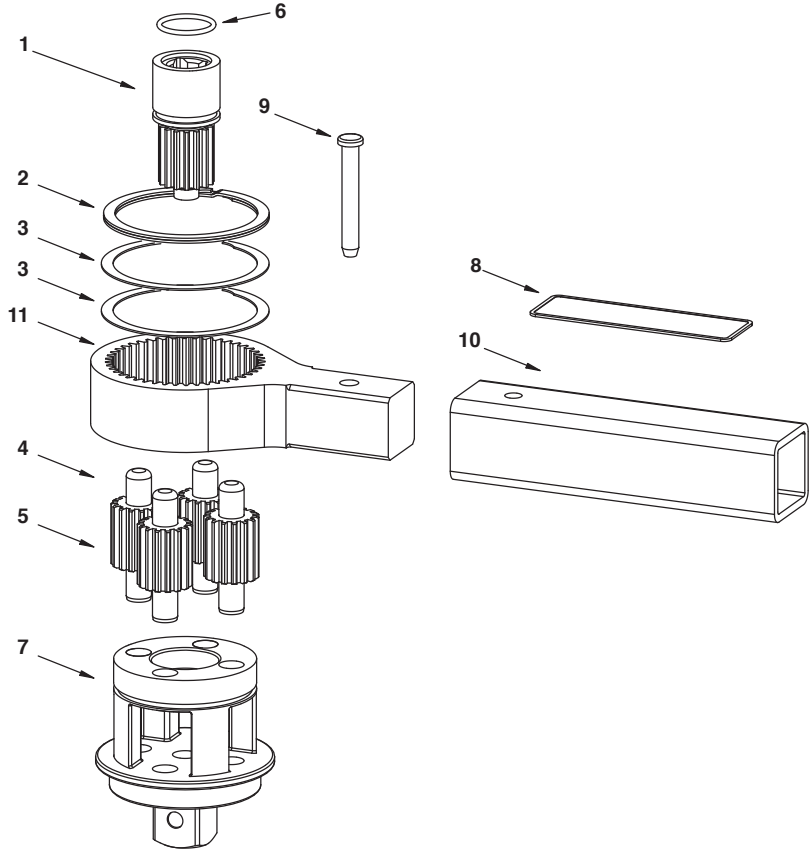


Figure 1, Models E290PLUS and E291

Repair Parts List for Models E290PLUS and E291

Item	E290PLUS	E291	Qty.	Description
1	E290PK	E290PK	1	Input Pinion (includes item #6)
2	★	★	1	Retaining Ring
3	★	★	2	Circular Shim
4	† ★	† ★	4	Dowel Pin
5	†	†	4	Planetary Gear
6	★	★	1	O-Ring
7	E290CK	E290CK	1	Gear Cage Assembly
8	★	★	1	Name Plate
9	★	★	1	Clevis Pin
10	E290PARM	E291ARM	1	Reaction Anchor
11	Not serviceable	Not serviceable	1	Ring Gear

★ Items included in and available only as part of Repair Kit E290HK.

† Items included in and available only as part of Repair Kit E290GK.

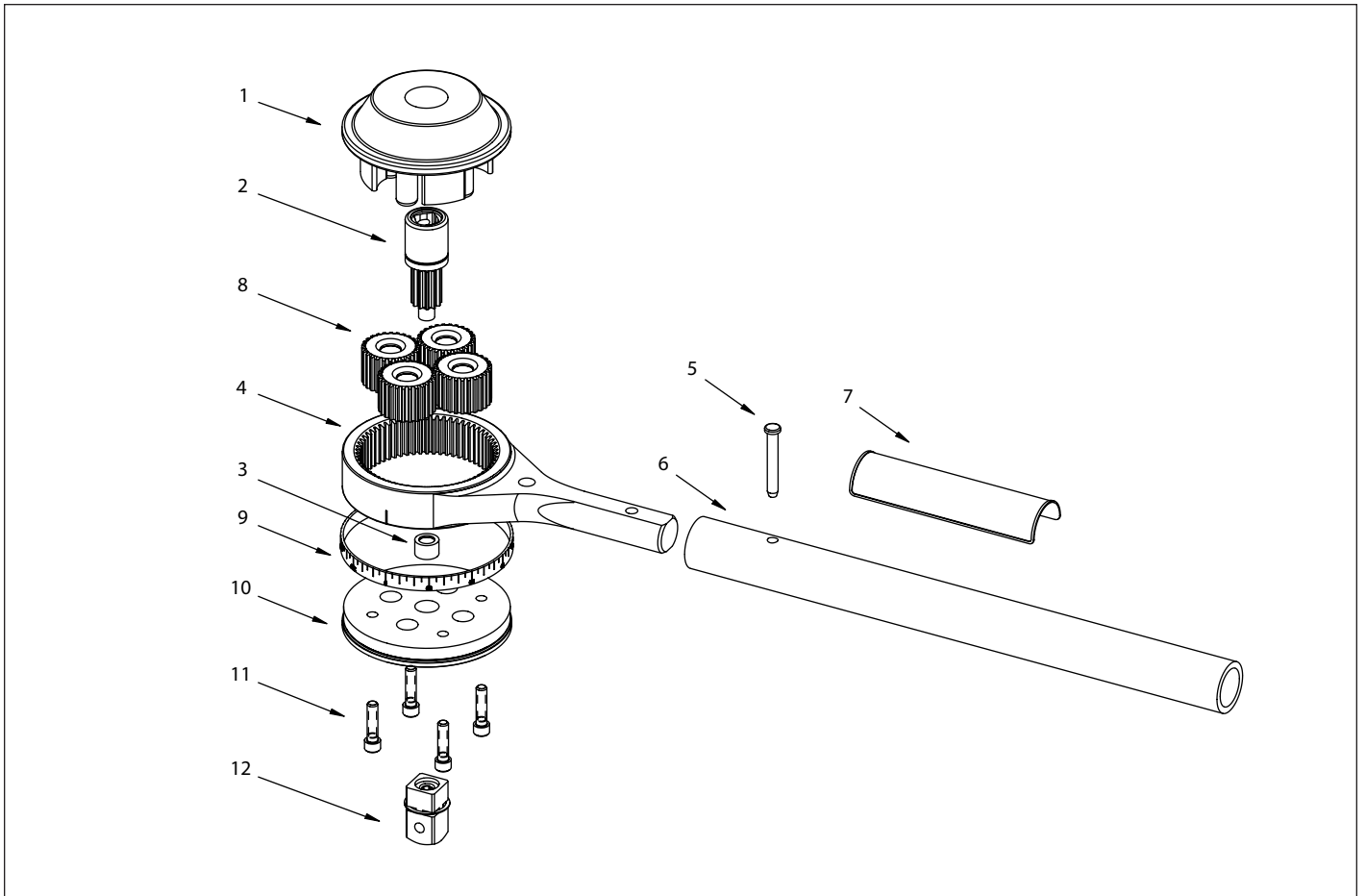


Figure 2 Model E391

Repair Parts List for Model E391

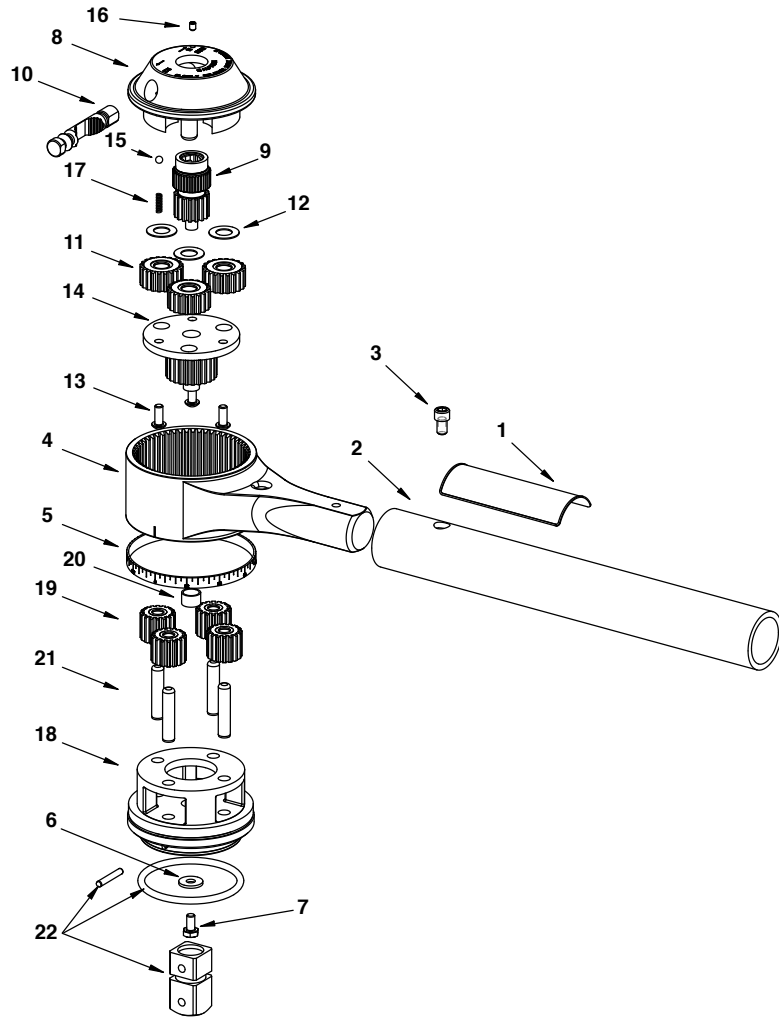
Item	Part Number	Qty.	Description	Item	Part Number	Qty.	Description
1	E391EK ¹	1	Input End Assembly	7	★	1	Name Plate
2	◆	1	Input Pinion	8	E391GK	4	Planetary Gear
3	◆	1	Bearing	9	★	1	Protractor
4	Not serviceable	1	Ring Gear	10	DC7128190K	1	Square Drive Carrier
5	★	1	Clevis Pin	11	★	4	1/4-28x1 SHC
6	E391ARM	1	Reaction Anchor	12	E391SDK	1	Square Drive Replacement Kit

Note ¹ - Contains four pressed in dowel pins.

◆ Items included in and available only as part of Repair Kit E391PK.

★ Items included in and available only as part of Repair Kit E391HK.

Figure 3, Model E392



Repair Parts List for Model E392

Item	Part Number	Qty.	Description	Item	Part Number	Qty.	Description
1	★	1	Name Plate	12	❖	3	Thrust Race
2	E392ARM	1	Reaction Anchor	13	★	3	1/4-28x5/8 BHC
3	N/A	1	5/16" -18 X 1/2" SHC Screw	14	▬	1	Secondary Input Assy. Kit
4	Not serviceable	1	Ring Gear	15	†	1	7/32 Ball
5	★	1	Protractor	16	†	1	Nylon Cup Set Screw
6	★	1	Spacer	17	†	1	Spring
7	★	1	1/4-20x1/2 Gr8 HHC	18	◆	1	Gear Cage
8	E392EK ¹	1	Input End Assembly	19	▲	4	Output Planetary Gear
9	E392PK	1	Input Pinion	20	▬◆	1	Bushing
10	†	1	Selector Pawl	21	◆▲	4	Dowel Pin
11	❖	3	Input Planetary Gear	22	E392SDK	1	Square Drive Kit

Note ¹ - Contains three pressed in dowel pins.

Note ² - Kit contains a dowel pin that is not used on the E392 Torque Multiplier.

★ Items included in and available only as part of Repair Kit E392HK.

† Items included in and available only as part of Repair Kit E392SK.²

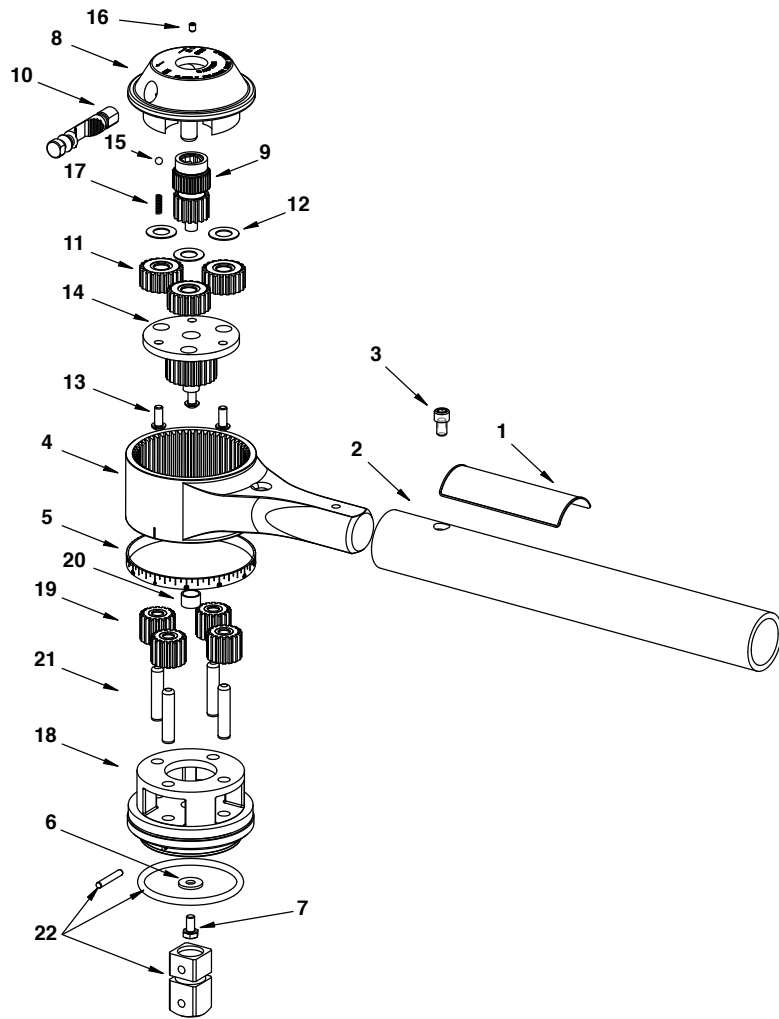
❖ Items included in and available only as part of Repair Kit E392GK1.

▬ Items included in and available only as part of Repair Kit DC7127190K.

◆ Items included in and available only as part of Repair Kit E392CK.

▲ Items included in and available only as part of Repair Kit E392GK2.

Figure 4, Model E393



Repair Parts List for Model E393

Item	Part Number	Qty.	Description	Item	Part Number	Qty.	Description
1	★	1	Name Plate	12	❖	3	Thrust Race
2	E392ARM	1	Reaction Anchor	13	★	3	1/4-28x5/8 BHC
3	N/A	1	5/16" -18 X 1/2" SHC Screw	14	●	1	Secondary Input Assy. Kit
4	Not serviceable	1	Ring Gear	15	†	1	7/32 Ball
5	★	1	Protractor	16	†	1	Nylon Cup Set Screw
6	★	1	Spacer	17	†	1	Spring
7	★	1	1/4-20x1/2 Gr8 HHC	18	⊕	1	Gear Cage
8	E392EK ¹	1	Input End Assembly	19	◇	4	Output Planetary Gear
9	E392PK	1	Input Pinion	20	● ⊕	1	Bushing
10	E392SK ²	1	Selector Pawl	21	⊕ ◇	4	Dowel Pin
11	❖	3	Input Planetary Gear	22	E393SDK	1	Square Drive Kit

Note ¹ - Contains three pressed in dowel pins.

Note ² - Kit contains a dowel pin that is not used on the E393 Torque Multiplier.

★ Items included in and available only as part of Repair Kit E392HK.

❖ Items included in and available only as part of Repair Kit E392GK1.

● Items included in and available only as part of Repair Kit DC7129190K.

† Items included in and available only as part of Repair Kit E392SK.

⊕ Items included in and available only as part of Repair Kit E393CK.

◇ Items included in and available only as part of Repair Kit E393GK2.

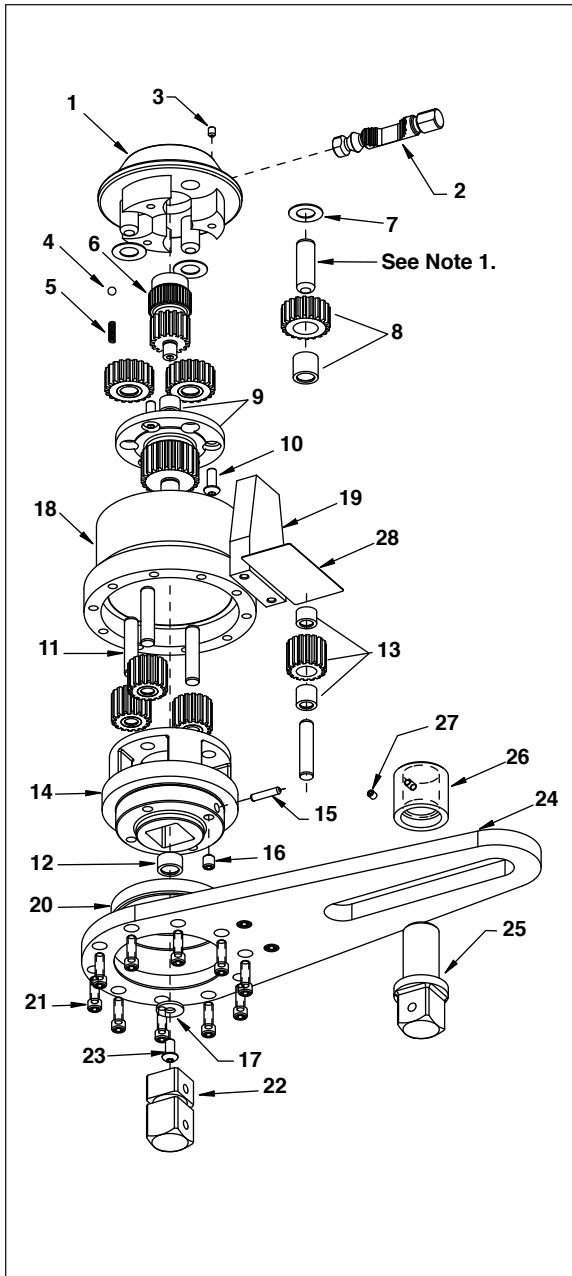


Figure 5, Models E492 and E493

Repair Parts List for Models E492 and E493				
Item	E492	E493	Qty.	Description
1	E392EK ¹	E392EK ¹	1	Input End Assembly
2	†	†	1	Selector Pawl
3	†	†	1	Set Screw
4	†	†	1	7/32 Ball
5	†	†	1	Spring
6	●	●	1	Input Pinion
7	◆	◆	3	Thrust Washer
8	E392GK1	E392GK1	3	Input Planetary Gear Kit
9	DC7127190K	DC7129190K	1	Secondary Input Assy.
10	◆	◆	3	1/4-28x5/8 BHC
11	+ ★	+ ☆	4	Dowel Pin
12	● ★	● ☆	1	Bearing
13	+	+	4	Secondary Planetary Gear Kit
14	★	☆	1	Gear Cage
15	See Note 5	See Note 5	1	Dowel Pin
16	◆	◆	1	Set Screw
17	◆	◆	1	Spacer
18	Not serviceable	Not serviceable	1	Housing
19	DC7141900K	DC7142900K	1	Anchor
20	DC7140155K	DC7140155K	1	Bushing
21	◆	◆	12	1/4-20x3/4 SHCS ⁴
22	E392SDK	E393SDK	1	Square Drive Kit
23	◆	◆	1	Nyloc BHC Screw
24	DC7145101K	DC7145101K	1	Reaction Anchor Plate
25	○	○	1	Slave Drive
26	○	○	1	Slave Drive Retainer
27	○	○	1	Set Screw
28	◆	◆	1	Name Plate

Note ¹ - Contains three pressed in dowel pins.
 Note ² - Contains a dowel pin used on the E494 only.
 Note ³ - All labels are contained in the E492HK Hardware Kit.
 Note ⁴ - E492HK Hardware Kit contains 10 pcs, Anchor Kits (Item #19) contain 2 pcs.
 Note ⁵ - Item #22 includes items #15 and #16.

† Items included in and available only as part of Repair Kit E392SK.²
 + Items included in and available only as part of Repair Kit E392GK2.
 + Items included in and available only as part of Repair Kit E393GK2.
 ★ Items included in and available only as part of Repair Kit E492CK.
 ☆ Items included in and available only as part of Repair Kit E493CK.
 ◆ Items included in and available only as part of Repair Kit E492HK.³
 ○ Items included in and available only as part of Repair Kit DC7143900K.
 ● Items included in and available only as part of Repair Kit E392PK.

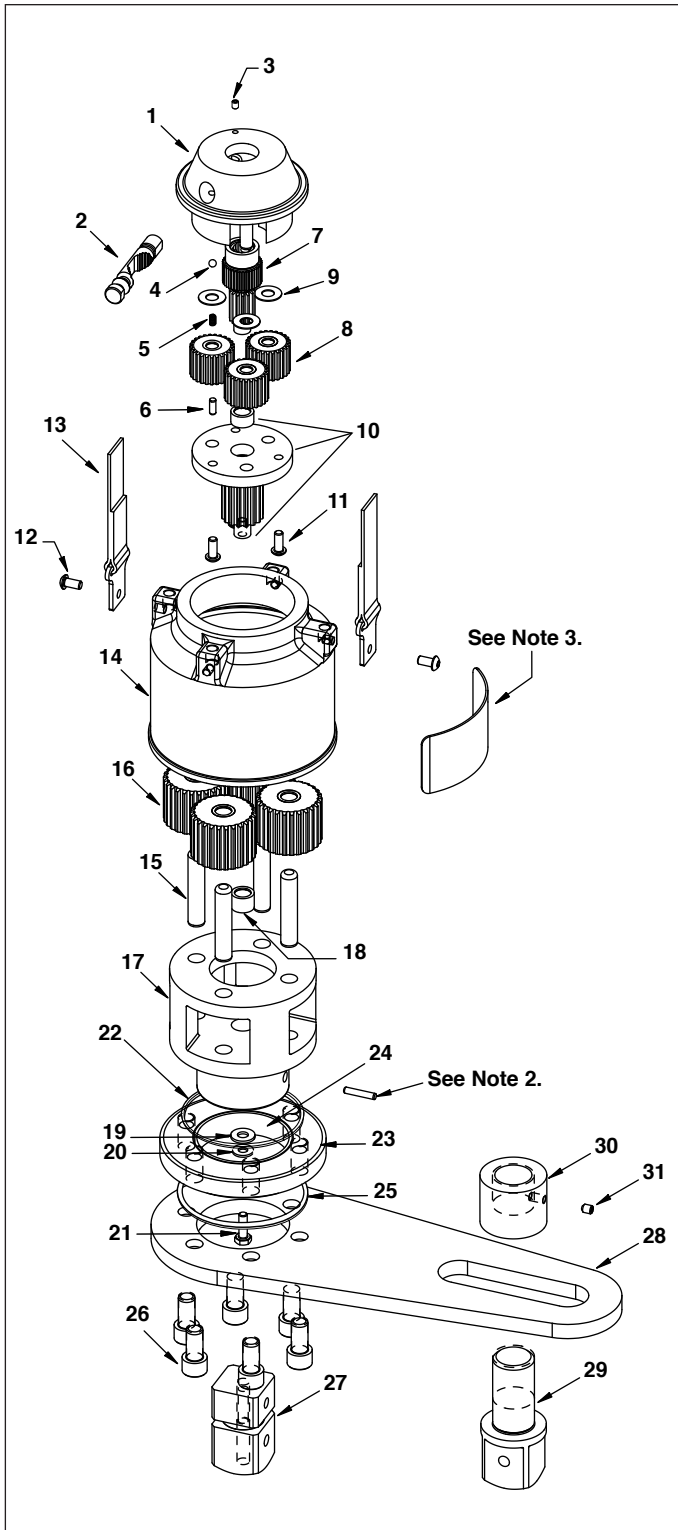


Figure 6, Model E494

Repair Parts List for Model E494

Item	Part Number	Qty.	Description
1	E494EK ¹	1	Input End Assembly
2	†	1	Selector Pawl
3	†	1	Set Screw
4	†	1	7/32 Ball
5	†	1	Spring
6	†	1	Dowel Pin
7	E494PK	1	Input Pinion
8	★	3	Input Planetary Gear Kit
9	❖★	3	Thrust Washer
10	DC7130900K	1	Secondary Input Assy. Kit
11	❖	3	1/4-28x5/8 BHC
12	N/A	2	1/4-20x1/2 BHC
13	DC7132217K	1	Strap
14	Not Serviceable	1	Housing
15	❖	4	Dowel Pin
16	❖	4	Secondary Planetary Gear Kit
17	■	1	Gear Cage
18	■	1	Bearing
19	❖	1	Thrust Washer
20	❖	1	Flat Washer
21	❖	1	1/4-20x1/2 HHC
22	❖	1	Thrust Race
23	Not Serviceable	1	Reaction Mounting Plate
24	DC7137155K	1	Bushing
25	❖	1	Retaining Ring
26	❖	6	1/2-13x1 SHC
27	E494SDK	1	Square Drive Kit
28	DC7135101K	1	Reaction Anchor Plate
29	◆	1	Slave Drive
30	◆	1	Slave Drive Retainer
31	◆	1	Set Screw

Note ¹ - Contains four pressed in dowel pins.

Note ² - E494SDK kit (item #27) includes dowel pin, $\varnothing 3/16 \times 1.0$.

Note ³ - All labels are contained in the E494HK Hardware Kits.

† Items included in and available only as part of Repair Kit E392SK.

❖ Items included in and available only as part of Repair Kit E494HK.

■ Items included in and available only as part of Repair Kit E494CK.

◆ Items included in and available only as part of Repair Kit DC7133900K.

★ Items included in and available only as part of Repair Kit E494GK1.

❖ Items included in and available only as part of Repair Kit E494GK2.

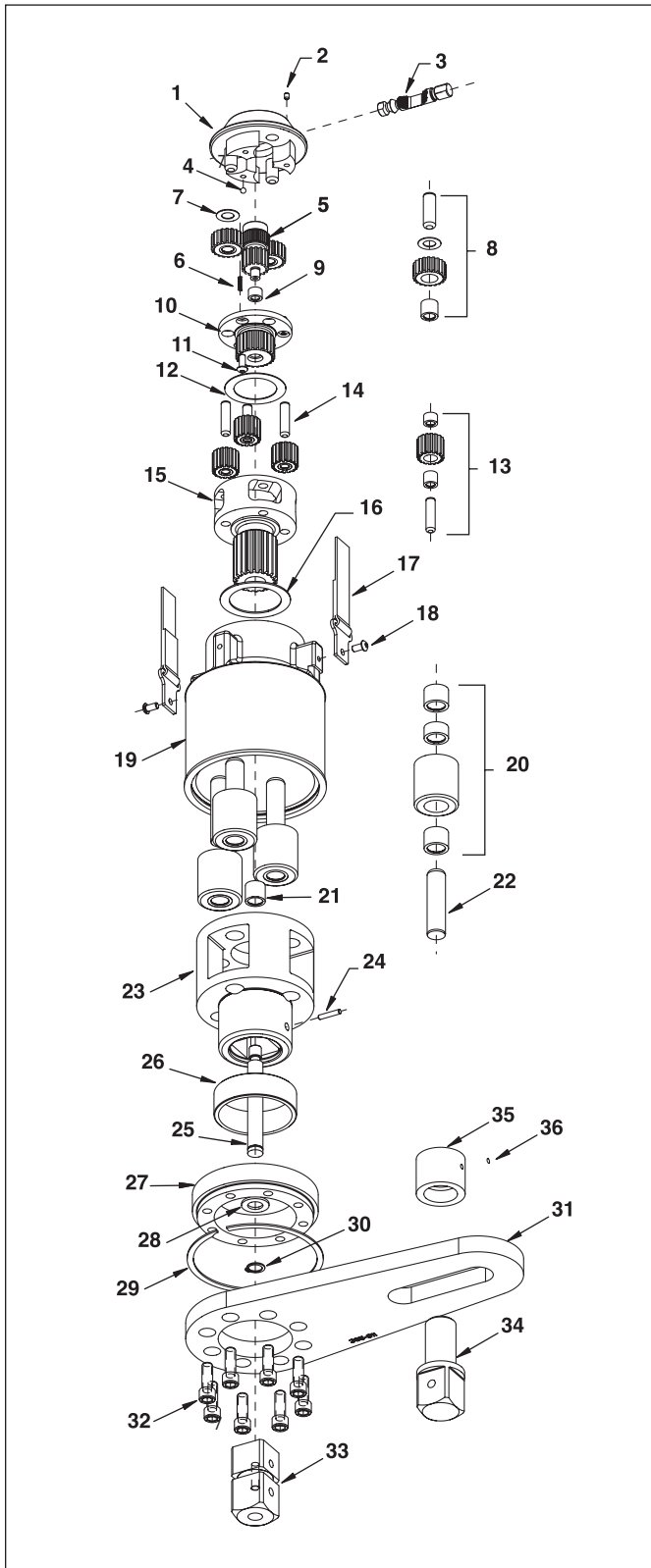


Figure 7, Model E495

Repair Parts List for Model E495

Item	Part Number	Qty.	Description
1	E392EK1 ¹	1	Input End Assembly
2	†	1	Set Screw
3	†	1	Selector Pawl
4	†	1	7/32 Ball
5	❖	1	Input Pinion
6	†	1	Spring
7	★ ○	3	Thrust Washer
8	○	3	Planetary Gear Set
9	❖	1	Bearing
10	DC7134900K	1	Secondary Input Assembly
11	★	3	1/4-28x5/8 BHC
12	★	1	Thrust Washer
13	■	4	Secondary Planetary Gear Set
14	■ ★	4	Dowel Pin
15	▲	1	Tertiary Input Assembly
16	★	1	Thrust Washer
17	DC7132217K	1	Strap
18	N/A	2	1/4-20x1/2 BHC
19	Not Serviceable	1	Housing
20	⊕	4	Tertiary Planetary Gear Set
21	▲ ★	1	Bearing
22	★ ⊕	4	Dowel Pin
23	E495CK	1	Gear Cage Assembly
24	See Note 4	1	Dowel Pin
25	★	1	Retaining Pin
26	DC7138155K	1	Bushing
27	Not Serviceable	1	Reaction Mounting Plate
28	★	1	Thrust Washer
29	★	1	Retaining Ring
30	★	1	Retaining Ring
31	395-611	1	Anchor Plate
32	★	8	7/16-14x1-1/4 SHC
33	E495SDK ⁴	1	Square Drive Kit
34	◆	1	Slave Drive
35	◆	1	Slave Drive Retainer
36	◆	1	Set Screw

Note ¹ - Contains three pressed in dowel pins.

Note ² - Contains a dowel pin used on the E494 only.

Note ³ - All labels are contained in the E495HK Hardware Kits.

Note ⁴ - E495SDK kit (item #33) includes dowel pin (item #24).

† Items included in and available only as part of Repair Kit E392SK.²

❖ Items included in and available only as part of Repair Kit E392PK.

★ Items included in and available only as part of Repair Kit E495HK.³

◆ Items included in and available only as part of Repair Kit DC7133900K.

○ Items included in and available only as part of Repair Kit E392GK1.

■ Items included in and available only as part of Repair Kit E392GK2.

⊕ Items included in and available only as part of Repair Kit E495GK.

▲ Items included in and available only as part of Repair Kit DC7131900K.

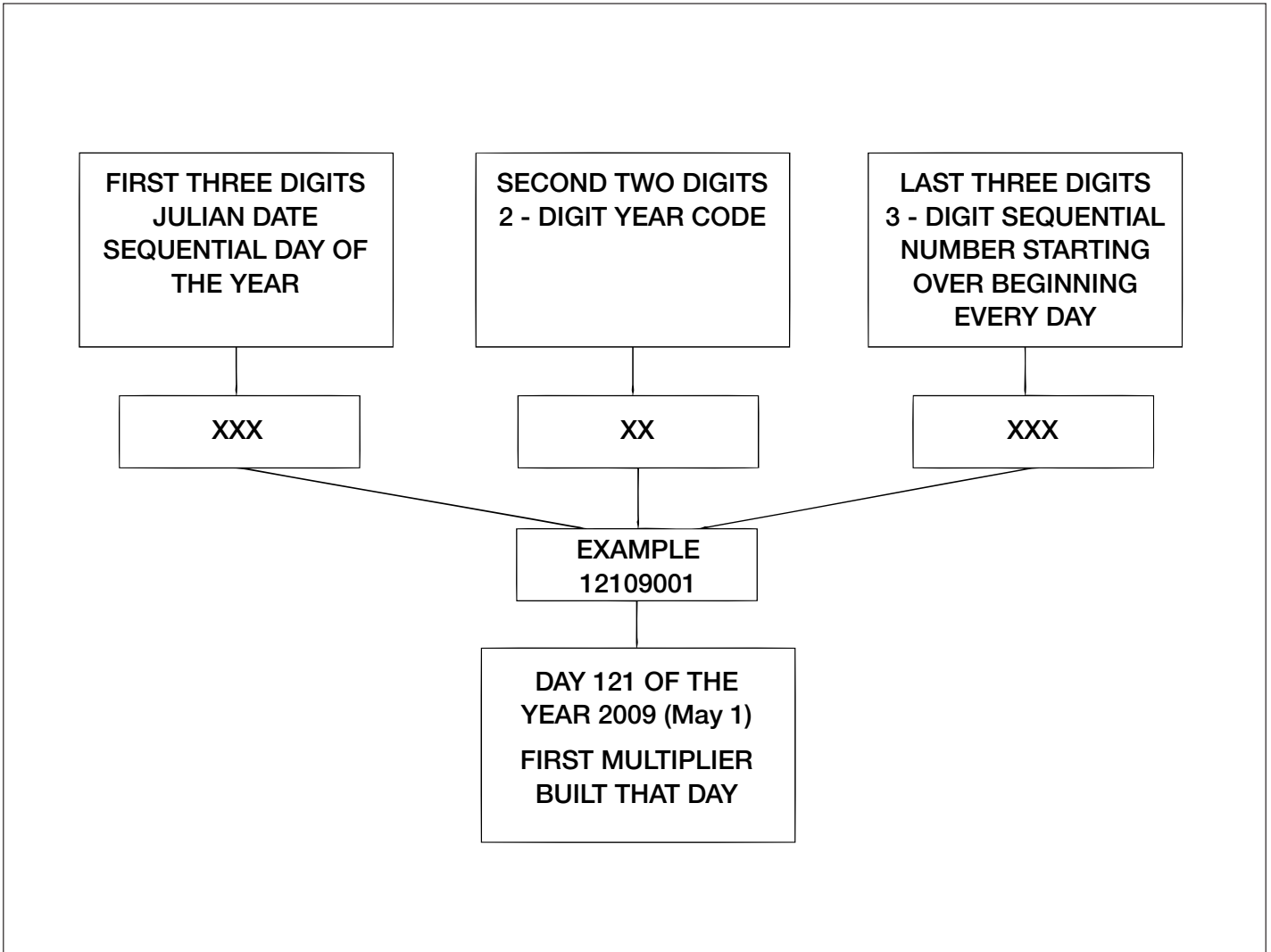


Figure 8, Julian Date Code, E-Series Torque Multipliers

E-Series Product Date Code Notes:

- Most E-Series torque multipliers manufactured May 2009 and later use a Julian style date code (see diagram above).
- Most E-Series torque multipliers manufactured before May 2009 use a standard Enerpac product date code, that begins with the letter "A".

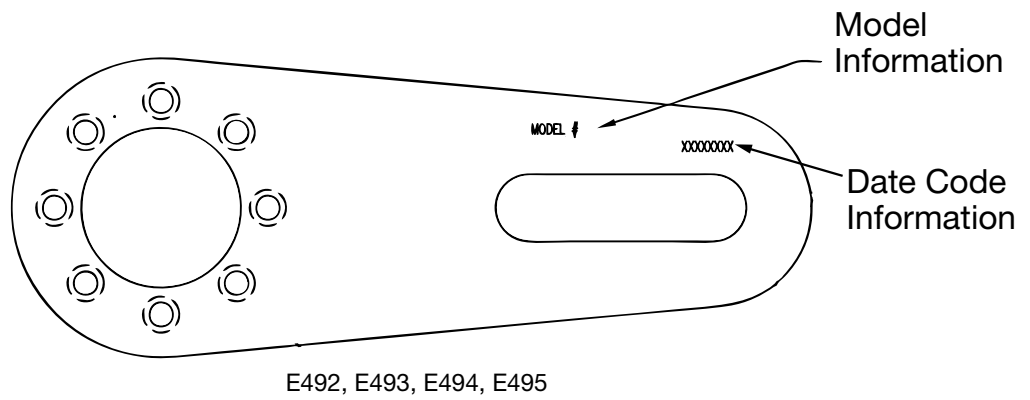
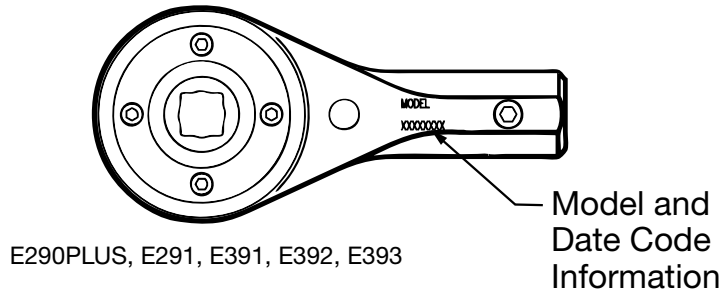


Figure 9, Model and Date Code Locations, E-Series Torque Multipliers (typical)

