

L2561 Rev. O 08/01

SERVICE INSTRUCTIONS: These service instructions are intended to be used by qualified personnel at authorized Enerpac Service Centers. Users of Enerpac equipment should see Instruction Sheet L505 for installation, operation, and maintenance.

SAFETY FIRST

Carefully plan your system by selecting components designed to perform the intended operation and which will adequately perform with existing equipment. Always check the product limitations regarding pressure ranges, load capacities, and set-up requirements. The system operating pressure must not exceed the pressure rating of the lowest rated component in the system. Read all CAUTIONS, WARNINGS, and INSTRUCTIONS included with, or attached to, each product. Follow all safety precautions to avoid personal injury or property damage during the system operation. ENERPAC CANNOT BE RESPONSIBLE FOR DAMAGE OR INJURY RESULTING FROM UNSAFE USE OF PRODUCT, LACK OF MAINTENANCE, OR INCORRECT PRODUCT AND SYSTEM APPLICATION.

Contact ENERPAC when in doubt as to safety precautions, or applications.

1.0 FILLING INSTRUCTIONS FOR LIQUID PRESSURE GAUGES

1.1 Gauge Set-up

Gauges should be positioned so that the filling plug is at the top of the gauge. The temperature of the liquid filling fluid should be between 68 °F to 85 °F (20 °C to 29 °C.) Remove the filling plug by prying it up with a blunt instrument, being careful not to puncture the plug or damage the internals of the gauge.

1.2 Gauge Filling

- Using a funnel, fill the gauge until the liquid begins to appear at the bottom of the dial and allow the liquid to level off. Very thick fluids (such as glycerine at room temperature) flow extremely slowly down the back of the case and can overflow through the filling hole before the gauge appears to be full on the face. After the liquid has settled at the bottom of the gauge, continue to fill slowly, allowing the liquid to level off several times, until the proper amount of liquid has been added. (See Figure 1.)



WARNING: A funnel is recommended for filling the gauge to avoid spilling the filling fluid on the outside of the case. Excess filling fluid may cause the plug to become lubricated which may allow the plug to pop off when the gauge is exposed to high temperatures.

- Allow the gauge to "breathe" for at least 10 minutes, then replace the filling plug. Wipe away any excess fluid on the outside of the gauge. Gauges filled with glycerine or a glycerine/water mixture may be rinsed under running water if necessary, but must be completely dried before putting the gauge into a cardboard carton.

NOTE: Glycerine flows much faster when it is heated above room temperature. Enerpac recommends that the glycerine *not* be heated to more than 85 °F (29 °C). Filling temperatures above 85 °F (29 °C) may trap entrained air in the glycerine which will form tiny, hard to remove bubbles after several days on the shelf.



CAUTION: Gauges filled with glycerine or silicone cannot be used on applications where strong oxidizing agents are present. A chemical reaction, ignition or explosion may result. Oxidizing agents include but are not limited to oxygen, chlorine, nitric acid, and hydrogen peroxide. Completely fluorinated or chlorinated fluids such as HALOCARBON 4.2 should be used.

For Enerpac Glycerine-filled 4" Gauges

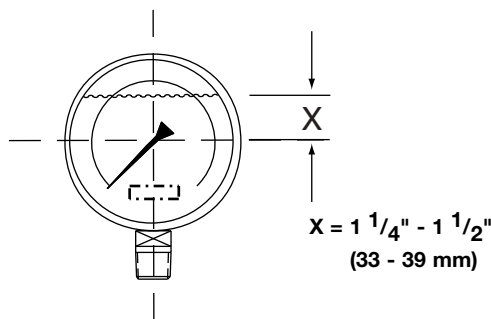


Figure 1

2.0 LIQUID FILL FLUID AMBIENT TEMPERATURE RATINGS

2.1 Allowable Operating Range

See Table 1 for temperature range in which the operation of the gauge is not adversely affected by the filling liquid. At temperatures above the maximum rating, the fluid may break down. At temperatures below the minimum rating, the fluid may solidify (freeze).

Fill Fluid	Allowable Operating Range
Glycerine Dow 99.7% USP, Synthetic Centistokes at 68 °F	-4 °F to 140 °F -20 °C to 60 °C

Table 1, Allowable Ambient Temperature Ratings

3.0 CASE VENTING FOR LIQUID FILLED GAUGE

For pressure gauges with full scale ranges of 100 psi and below (including vacuum and compound ranges of 30" HG-0-100 psi and below), case venting is necessary to preserve the accuracy. Temperature fluctuations during shipment cause the liquid to expand and contract which in turn increases or decreases case pressure. As a result, accuracy can be decreased and the pointer may not return to zero properly until the gauge is vented to the atmosphere.

3.1 Gauge Venting

To vent an Enerpac gauge, simply cut the top part of the nipple plug on the gauge. This allows the case pressure of the gauge to be equal to the atmospheric pressure. Note that the gauge should be installed in a upright position (i.e., nipple plug at 12 o'clock) to prevent leakage.

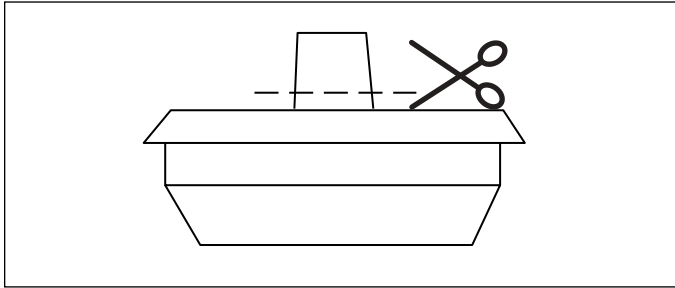


Figure 2, Nipple Plug

Enerpac Worldwide Locations

◆ e-mail: info@enerpac.com

◆ internet: www.enerpac.com

Australia

ENERPAC, Applied Power Australia Ltd.
Block V Unit 3
Regents Park Estate
391 Park Road
Regents Park NSW 2143
(P.O. Box 261) Australia
Tel: +61 297 438 988
Fax: +61 297 438 648

Canada

Actuant Canada Corporation
6615 Ordan Drive, Unit 14-15
Mississauga, Ontario L5T 1X2
Tel: +1 905 564 5749
Fax: +1 905 564 0305

Toll Free:

Tel: +1 800 268 4987
Fax: +1 800 461 2456

China

Applied Power China Ltd.
1F, 269 Fute N. Road
Waigaoqiao Free Trade Zone
Pudong New District
Shanghai, 200 131
China
Tel: +86 21 5866 9099
Fax: +86 21 5866 7156

France, Turkey, Greece, Africa, Middle East

ENERPAC S.A.
B.P. 200
Parc d'Activités
du Moulin de Massy
F-91882 Massy CEDEX (Paris) France
Tel: +33 1 601 368 68
Fax: +33 1 692 037 50

Germany, Switzerland, Austria, Eastern Europe

ENERPAC
Applied Power GmbH
P.O. Box 300113
D-40401 Düsseldorf
Germany
Tel: +49 211 471 490
Fax: +49 211 471 49 28

Hong Kong

ENERPAC
Room 907 Workingberg
Commercial Building
41-47 Marble Road
North Point
Tel: +852-2561 6295
Fax: +852-2561 6772

India

ENERPAC
Hydraulics (India) Pvt Ltd
Plot No. A-571
MIDC, TTC Industrial Area
Mahape-400 701
Navi Mumbai, India
Tel: +91 22 769 47 78
Fax: +91 22 769 84 73

Italy

ENERPAC
Applied Power Italiana S.p.A.
Via Canova 4
20094 Corsico (Milano)
Tel: +39 2 486 111 00
Fax: +39 2 486 012 88

Japan

Applied Power Japan Ltd.
1-1-11, Shimomae
Toda-shi
Saitama Pref.
Japan 335-0016
Tel: +81-48-430-2311
Fax: +81-48-430-1117

Mexico

ENERPAC Applied Power
Mexico S.A. de C.V.
Avenida Principal
La Paz #100
Fracc. Industrial La Paz
42092 Pachuca, Hidalgo
Tel: +52 771 337 00
Fax: +52 771 838 00

The Netherlands, Belgium, Luxembourg, Sweden, Denmark, Norway, Finland, United Kingdom, Ireland

ENERPAC B.V.
Storkstraat 25
P.O. Box 269, 3900 AG Veenendaal
The Netherlands
Tel: +31 318 535 911
Fax: +31 318 525 613
+31 318 535 848
UK, Ireland
Tel: +44 01527 598 900
Fax: +44 01527 585 500

Singapore

Applied Power Asia Pte Ltd
No. 8, Ang Mo Kio,
Industrial Park 2
#01-00
Singapore 569500
Thomson Road, P.O. Box 114
Singapore 915704
Tel: +65 484 5108
Fax: +65 484 5669

South Korea

ENERPAC
Applied Power Korea Ltd.
163-12 Dodang-Dong
Wonmi-Ku, Buchun-shi
Kyunggi-Do
Republic of Korea
Tel: +82 32 675 08 36
Fax: +82 32 675 30 02/73

Spain, Portugal

ENERPAC
Applied Power International S.A.
Avda. Camino de lo Cortao
21 - Nave 3
San Sebastian de los Reyes
28709 Madrid
Spain
Tel: +34 91 661 11 25
Fax: +34 91 661 47 89

USA, Latin America and Caribbean

ENERPAC
P.O. Box 3241
6101 N. Baker Road
Milwaukee, WI 53209 USA
Tel: +1 262 781 6600
Fax: +1 262 781 1049

User inquiries:

+1 800 433 2766

Distributor inquiries/orders:

+1 800 558 0530

All Enerpac products are guaranteed against defects in workmanship and materials for as long as you own them.
For your nearest authorized Enerpac Service Center, visit us at www.enerpac.com