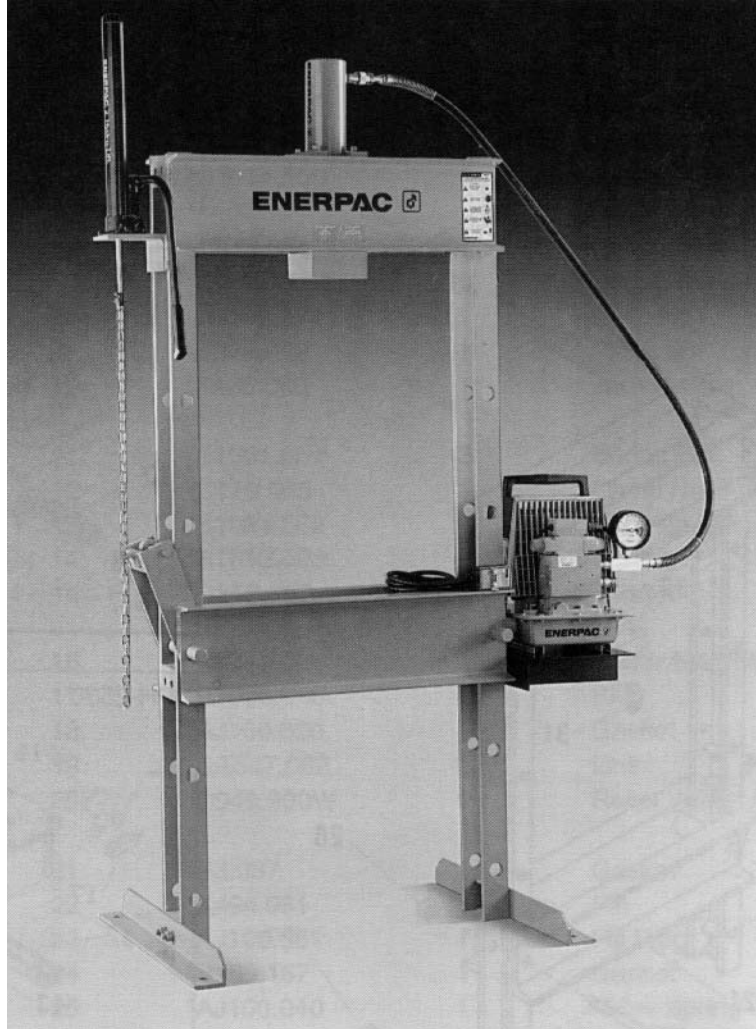


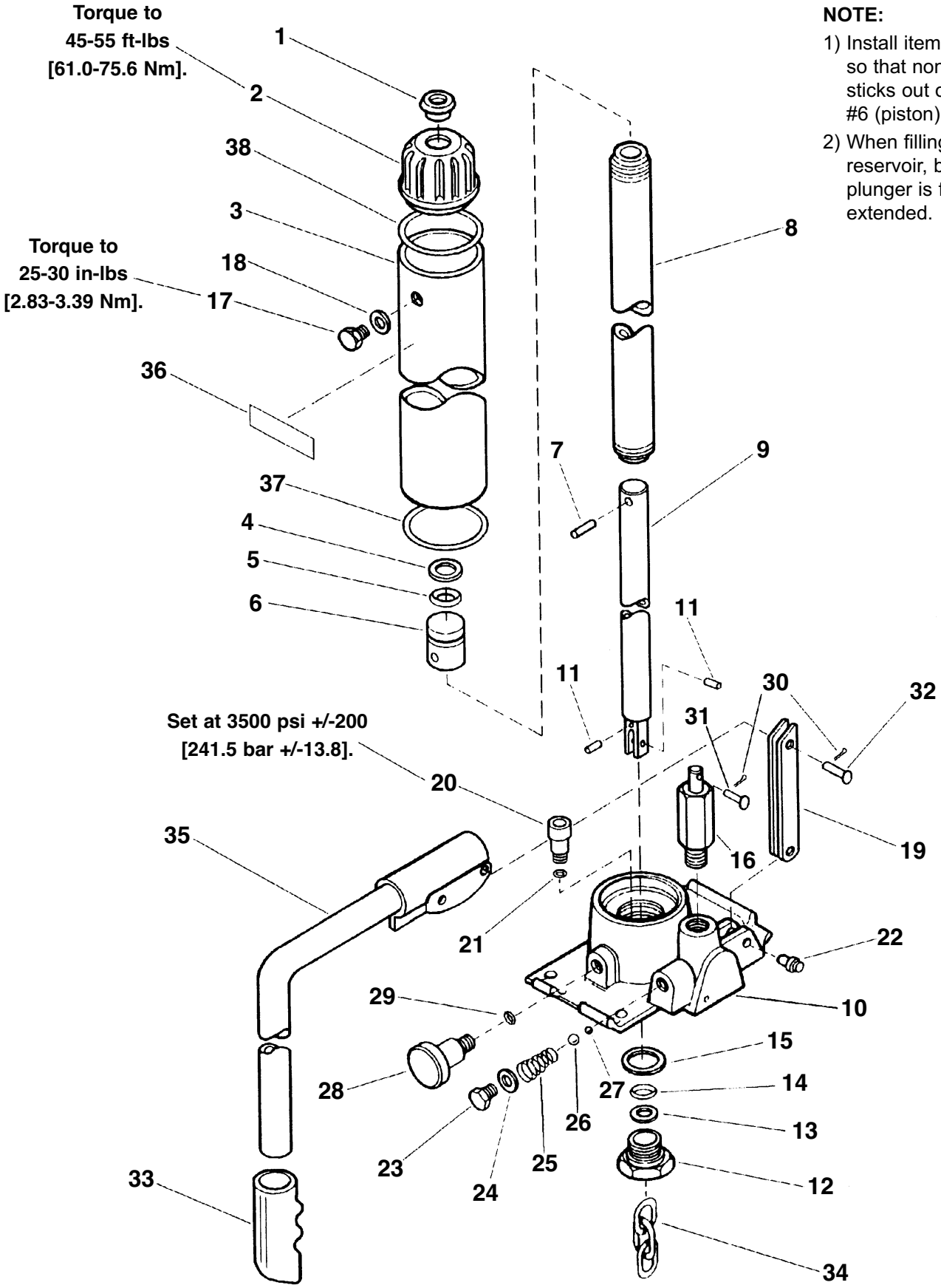
L1272  
 Rev. E  
 11/07



Accessories: Press Conversion Kit - IPK-3012  
 V-Blocks - A-130

Model	Pump	Cylinder
IPA-2521	★ PAM-1022 Twin Air Pump	★ RC-2514
IPE-2505	★ PUJ-1200B Electric Pump	★ RC-256
IPE-2510	★ PER-2031 Electric Pump	★ RC-2514
IPH-2530	★ P-462 Hand Pump	★ RC-2514
IPH-2531	★ P-80 Hand Pump	★ RC-2514
★ Refer to separate part sheets for these items.		

TO PROTECT YOUR WARRANTY, USE ONLY ENERPAC HYDRAULIC OIL.

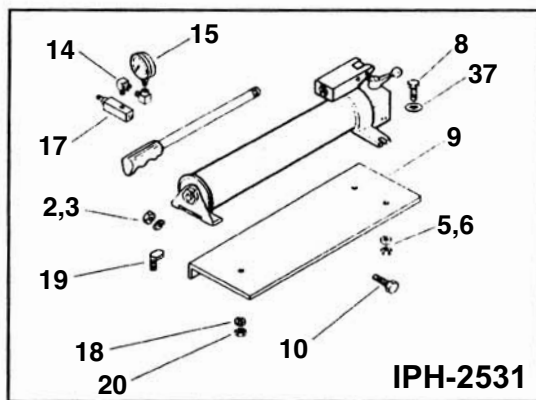
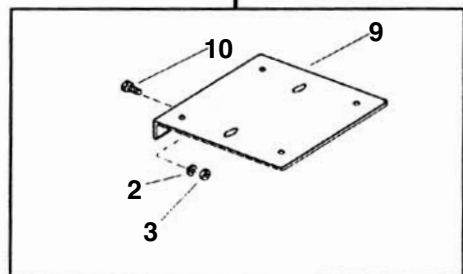
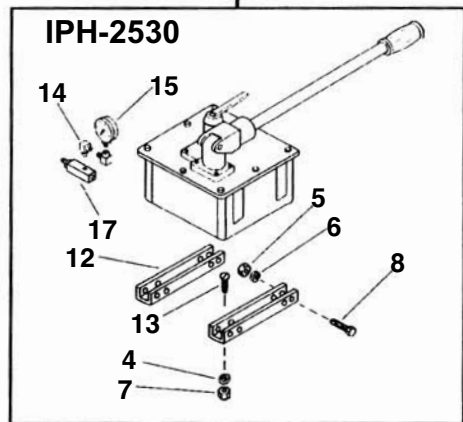
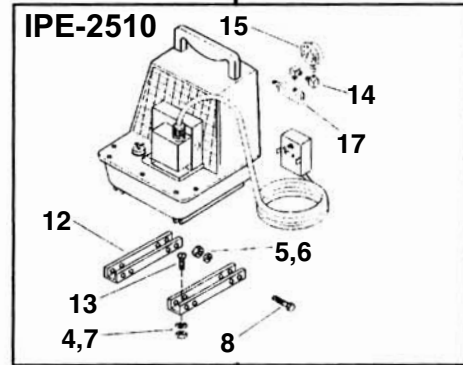
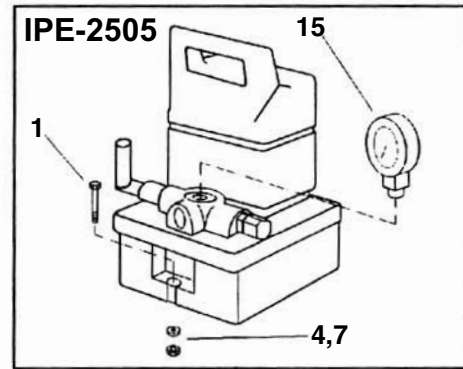
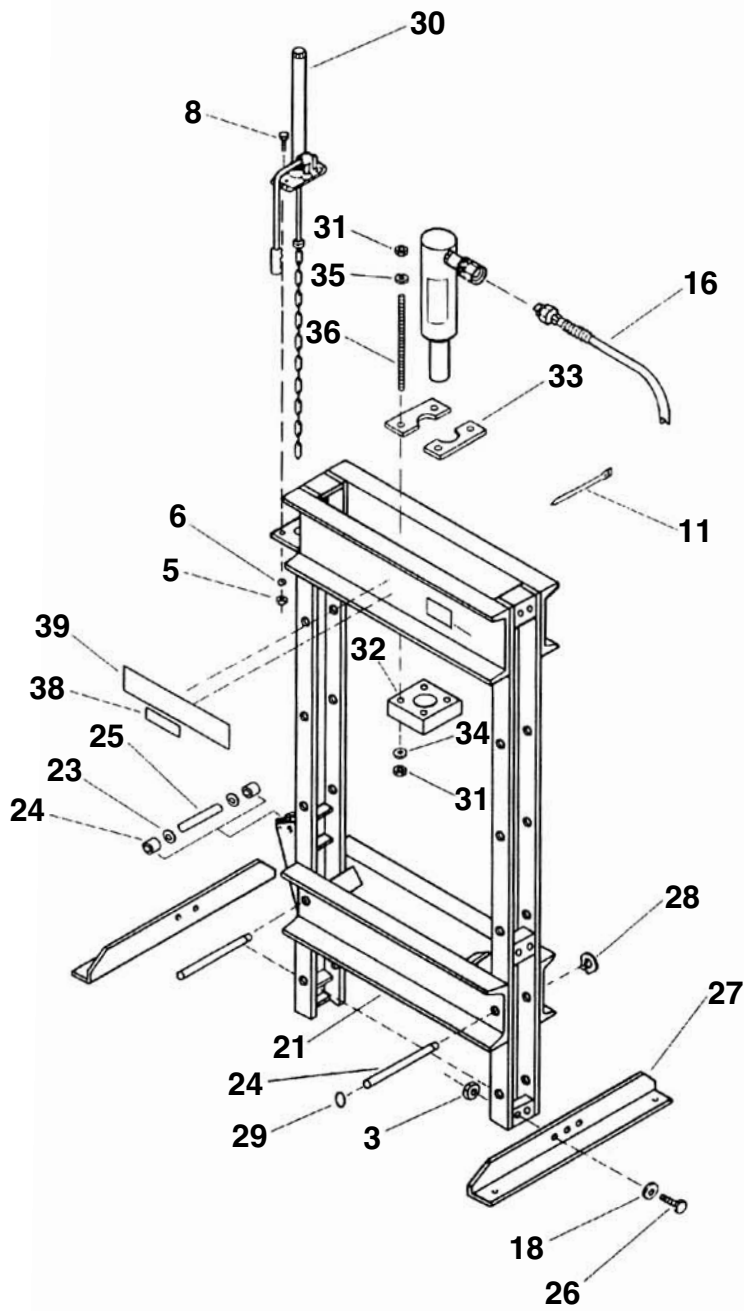


**NOTE:**

- 1) Install item #7 (pin) so that none of it sticks out of item #6 (piston).
- 2) When filling reservoir, be sure plunger is fully extended.

<b>Parts List for C215900-1 1/2 Ton Jack</b>			
<b>Item</b>	<b>Part Number</b>	<b>Qty.</b>	<b>Description</b>
1	CJ290006	1	Top Cap Plug
2	K515020	1	Top Cap
3	K996025	1	Reservoir
4	★ M761562	1	Back-Up Ring
5	★ B1014503	1	O-Ring
6	C644051	1	Piston
7	CCA819057	1	Spring Pin
8	AJ100074	1	Cylinder
9	F578040	1	Plunger
10	F438005	1	Jack Base
11	B1091057	2	Spring Pin
12	C170055	1	Gland Nut
13	★ B1031562	1	Back-Up Ring
14	★ B1012503	1	O-Ring
15	★ C213167	1	Gasket
16	K584900	1	Pump Assembly
17	B1036046	1	Plug
18	★ AJ100020	1	Gasket
19	DA547062	2	Link
20	C949900W	1	Relief Valve
21	★ S3037	1	Gasket
22	K494061	1	Pin
23	AJ100061	1	Fill Plug
24	★ B159167	1	Gasket
25	★ AJ100040	1	Valve Spring
26	★ B1009016	1	5/16" Ball
27	★ B1006016	1	7/32" Ball
28	DA2508900SR	1	Release Valve
29	★ B1003503	1	O-Ring
30	★ B1001058	2	Cotter Pin
31	AJ100062	1	Beam Pin
32	AJ100063	1	Clevis Pin
33	CL343550	1	Handle Grip
34	DA3232066	1	Chain
35	M276900	1	Handle Assembly
36	CB635026	1	Decal
37	★ DA254037	1	Gasket
38	★ DA255037	1	Gasket

★ Indicates items included in Repair Kit C215900K. Repair Kit includes seals used in K584900 Pump Assembly.



**NOTE:** Prior to mounting P-462 pump on the press (Model IPH-2530) remove the "U" bracket from the bottom of the reservoir.

Parts List						
Item	Part Number IPE-2505	Qty.	Part Number IPH-2531	All Other Part Numbers	Qty.	Description
1	B1047046	2	-	-	-	Cap Screw 5/16"-18 x1 1/2"
2	B1007066	6	B1007066	B1007066	6	Lock Washer
3	B1013120	6	B1013120	B1013120	6	Hex Nut 5/8"-11
4	B1002066	2	-	B1002066	2	Lock Washer
5	B1001120	2	B1001120	B1001120	6	Nut 1/4"-20
6	B1001066	2	B1001066	B1001066	6	Lock Washer
7	B1003120	2	-	B1003120	4	Hex Nut 5/16"-18
8	CB528046	2	CB528046	CB528046	6	Cap Screw 1/4"-20 x1 1/2"
9	DA4191111	1	DA419111	DA2957111	1	Bracket
10	B1201046	2	B1201046	B1201046	2	Cap Screw 5/16"-18 x1 1/2"
11	CF378017	1	CF378017	CF378017	1	Strap
12	-	-	-	DA3541111	2	Bracket
13	-	-	-	CH204028	4	Cap Screw 5/16"-18 x3/4"
14	-	-	FZ1616	FZ1616	2	Street Elbow
15	GF825	1	GF835	GF835	1	Gauge
16	HC960	1	HC960	HC960	1	Hose Assembly
17	-	-	GA3	GA3	1	Gauge Adapter
18	-	-	B1003066	-	1	Lockwasher 3/8"
19	-	-	M259028	-	1	Screw 3/8"-16
20	-	-	B1005120	-	1	Hex Nut 3/8"-16
21	CA705900	1	CA705900	CA705900	1	Bolster Assembly
22	CR281281	4	CR281281	CR281281	4	Roller
23	CN725044	4	CN725044	CN725044	4	Retaining Ring
24	CU487900	2	CU487900	CU487900	2	Bolster Pin Assembly
25	CR241061	2	CR241061	CR241061	2	Roller Pin
26	CH940028	4	CH940028	CH940028	4	Bolt 5/8"-11 x 1 3/4"
27	CA693630	2	CA693630	CA693630	2	Leg Angle
28	CA696044	2	CA696044	CA696044	2	Retaining Ring
29	B1125903	2	B1125903	B1125903	2	O-Ring
30	C215900	1	C215900	C215900	1	Jack Assembly
31	B1009120	8	B1009120	B1009120	8	Nut 1/2"-13
32	CF122101	1	CF122101	CF122101	1	Support Block
33	CF123101	2	CF123101	CF123101	2	Bearing Plate
34	B1034108	4	B1034108	B1034108	4	Washer
35	B1019066	4	B1019066	B1019066	4	Lockwasher
36	M334305	4	M334305	M334305	4	Stud
37	-	-	B1092108	-	2	Flat Washer 5/16"
38	M527026	2	M527026	M527026	2	Decal
39	CL537026	2	CL537026	CL537026	2	Die Cut Decal
40	CU778026	2	CU778026	CU778026	2	Caution Decal

## Enerpac Worldwide Locations

### Africa

ENERPAC Middle East FZE  
Office 423, JAFZA 15  
P.O. Box 18004  
Jebel Ali, Dubai  
United Arab Emirates  
Tel: +971 (0)4 8872686  
Fax: +971 (0)4 8872687

### Australia, New Zealand

Actuant Australia Ltd.  
Block V Unit 3  
Regents Park Estate  
391 Park Road  
Regents Park NSW 2143  
(P.O. Box 261) Australia  
Tel: +61 297 438 988  
Fax: +61 297 438 648

### Brazil

Power Packer do Brasil Ltda.  
Rua dos Inocentes, 587  
04764-050 - Sao Paulo (SP)  
Tel: +55 11 5687 2211  
Fax: +55 11 5686 5583  
**Toll Free in Brazil:**  
Tel: 0800 891 5770  
vendasbrasil@enerpac.com

### Canada

Actuant Canada Corporation  
6615 Ordan Drive, Unit 14-15  
Mississauga, Ontario L5T 1X2  
Tel: +1 905 564 5749  
Fax: +1 905 564 0305  
**Toll Free:**  
Tel: +1 800 268 4987  
Fax: +1 800 461 2456  
**Technical Inquiries:**  
techservices@enerpac.com

### China

Actuant China Ltd.  
1F, 269 Fute N. Road  
Waigaoqiao Free Trade Zone  
Pudong New District  
Shanghai, 200 131 China  
Tel: +86 21 5866 9099  
Fax: +86 21 5866 7156

◆ e-mail: info@enerpac.com

### Actuant China Ltd. (Beijing)

709B Diyang Building  
Xin No. 2  
Dong San Huan North Rd.  
Beijing City  
100028 China  
Tel: +86 10 845 36166  
Fax: +86 10 845 36220

### Central and Eastern Europe, Greece

ENERPAC GmbH  
P.O. Box 300113  
D-40401 Düsseldorf  
Willstätterstrasse13  
D-40549 Düsseldorf  
Germany  
Tel: +49 211 471 490  
Fax: +49 211 471 49 28

### France, Switzerland francophone

ACTUANT - ENERPAC  
France S.A., ZA de Courtaboeuf  
32, avenue de la Baltique  
91140 Villebon / Yvette  
France  
Tel: +33 1 60 13 68 68  
Fax: +33 1 69 20 37 50

### Germany, Austria and Switzerland

ENERPAC GmbH  
P.O. Box 300113  
D-40401 Düsseldorf  
Willstätterstrasse13  
D-40549 Düsseldorf  
Germany  
Tel: +49 211 471 490  
Fax: +49 211 471 49 28

### India

ENERPAC Hydraulics  
(India) Pvt. Ltd.  
Office No. 9,10 & 11,  
Plot No. 56, Monarch Plaza,  
Sector 11, C.B.D. Belapur  
Navi Mumbai 400614, India  
Tel: +91 22 2756 6090  
Tel: +91 22 2756 6091  
Fax: +91 22 2756 6095

### Italy

ENERPAC S.p.A.  
Via Canova 4  
20094 Corsico (Milano)  
Tel: +39 02 4861 111  
Fax: +39 02 4860 1288

### Japan

Applied Power Japan Ltd.  
Besshochou 85-7  
Saitama-shi, Kita-ku,  
Saitama 331-0821  
Japan  
Tel: +81 48 662 4911  
Fax: +81 48 662 4955

### Middle East, Turkey and Caspian Sea

ENERPAC Middle East FZE  
Office 423, JAFZA 15  
P.O. Box 18004  
Jebel Ali, Dubai  
United Arab Emirates  
Tel: +971 (0)4 8872686  
Fax: +971 (0)4 8872687

### Russia and CIS

(excl. Caspian Sea Countries)  
Actuant LLC  
Admiral Makarov Street 8  
125212 Moscow, Russia  
Tel: +7-495-9809091  
Fax: +7-495-9809092

### Singapore

Actuant Asia Pte. Ltd.  
37C, Benoi Road Pioneer Lot,  
Singapore 627795  
Tel: +65 64 84 5108  
+65 64 84 3737  
Fax: +65 64 84 5669  
**Toll Free:** +1800 363 7722  
**Technical Inquiries:**  
techsupport@enerpac.com.sg

◆ internet: www.enerpac.com

### South Korea

Actuant Korea Ltd.  
3Ba 717,  
Shihwa Industrial Complex  
Jungwang-Dong, Shihung-Shi, Kyunggi-Do  
Republic of Korea 429-450  
Tel: +82 31 434 4506  
Fax: +82 31 434 4507

### Spain and Portugal

ENERPAC  
C/San José Artesano 8  
Pol. Ind.  
28108 Alcobendas  
(Madrid) Spain  
Tel: +34 91 661 11 25  
Fax: +34 91 661 47 89

### The Netherlands, Belgium, Luxembourg, Sweden, Denmark, Norway, Finland and Baltic States

ENERPAC B.V.  
Galvanistraat 115, 6716 AE Ede  
P.O. Box 8097, 6710 AB Ede  
The Netherlands  
Tel: +31 318 535 911  
Fax: +31 318 525 613  
+31 318 535 848

### Technical Inquiries Europe:

techsupport.europe@enerpac.com

### United Kingdom, Ireland

Enerpac Ltd  
Bentley Road South  
Darlaston, West Midlands  
WS10 8LQ, United Kingdom  
Tel: +44 (0)121 50 50 787  
Fax: +44 (0)121 50 50 799

### USA, Latin America and Caribbean

ENERPAC  
P.O. Box 3241  
6100 N. Baker Road  
Milwaukee, WI 53209 USA  
Tel: +1 262 781 6600  
Fax: +1 262 783 9562

### User inquiries:

+1 800 433 2766

### Inquiries/orders:

+1 800 558 0530

### Technical Inquiries:

techservices@enerpac.com

All Enerpac products are guaranteed against defects in workmanship and materials for as long as you own them.  
For your nearest authorized Enerpac Service Center, visit us at [www.enerpac.com](http://www.enerpac.com)