

Contents:

Figure 1 - Pump Side View	2	Figure 9 - Shroud Wiring-Left of Motor	5
Figure 2 - Pump Front View (shroud removed).....	2	Figure 10 - Shroud Wiring-Right of Motor.....	5
Figure 3 - Valve and Manifold Assembly	2	Figure 11 - Top View, Cord and Cables.....	6
Figure 4 - Pump Bottom View	2	Figure 12 - Remote Pendant Assembly	7
Figure 5 - Pump Front View (assembled)	3	Figure 13 - Electrical Schematic, PUM Models.....	8
Figure 6 - Pump Top View	4	Figure 14 - Electrical Schematic, PUJ Models (115V).....	8
Figure 7 - Shroud Wiring-Behind Motor	5	Figure 15 - Electrical Schematic, PUJ Models (220V).....	9
Figure 8 - Shroud Wiring-Front of Motor.....	5		

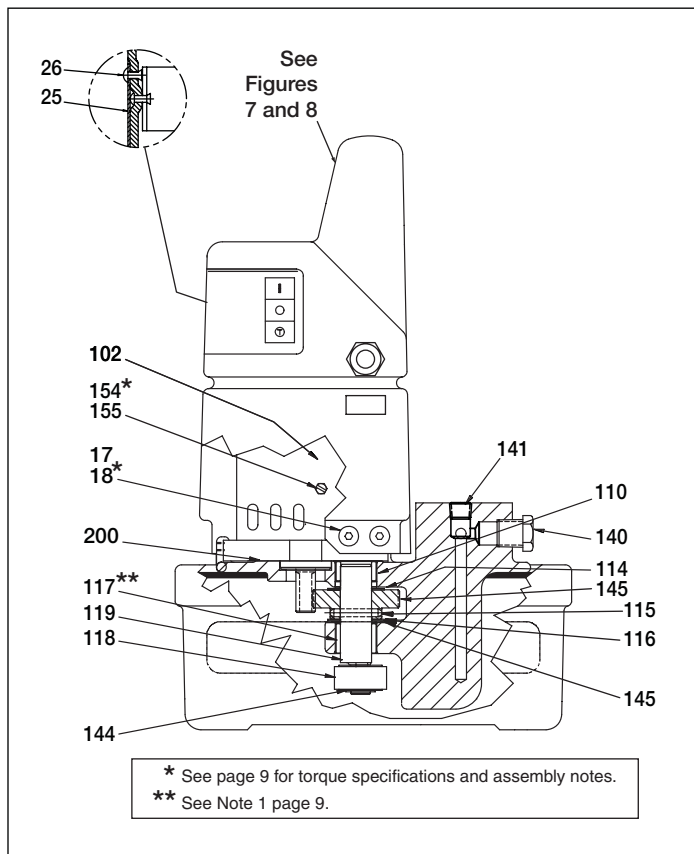


Figure 1, Pump Side View

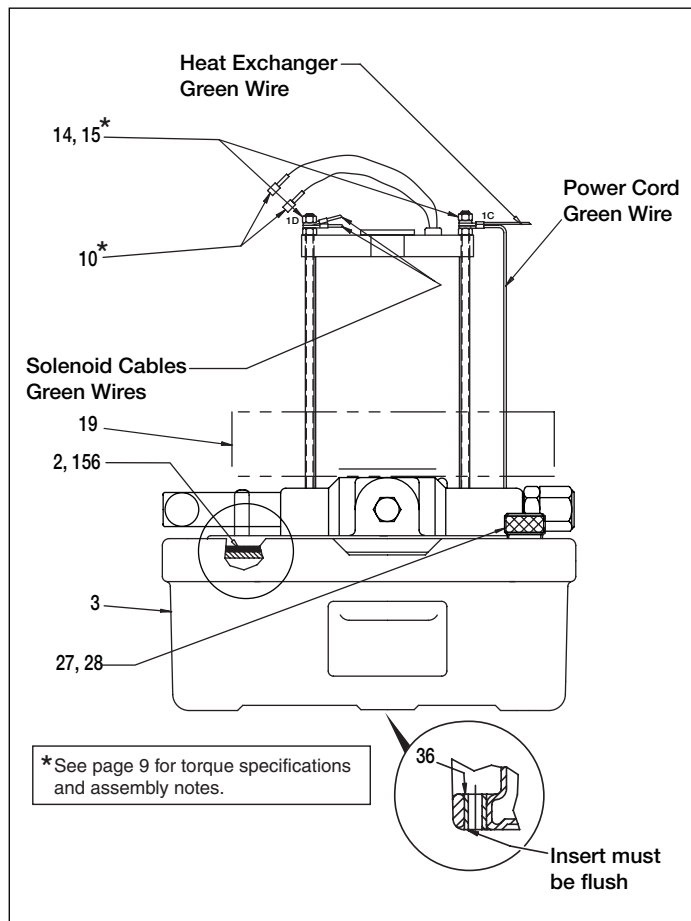


Figure 2, Pump Front View (shroud removed)

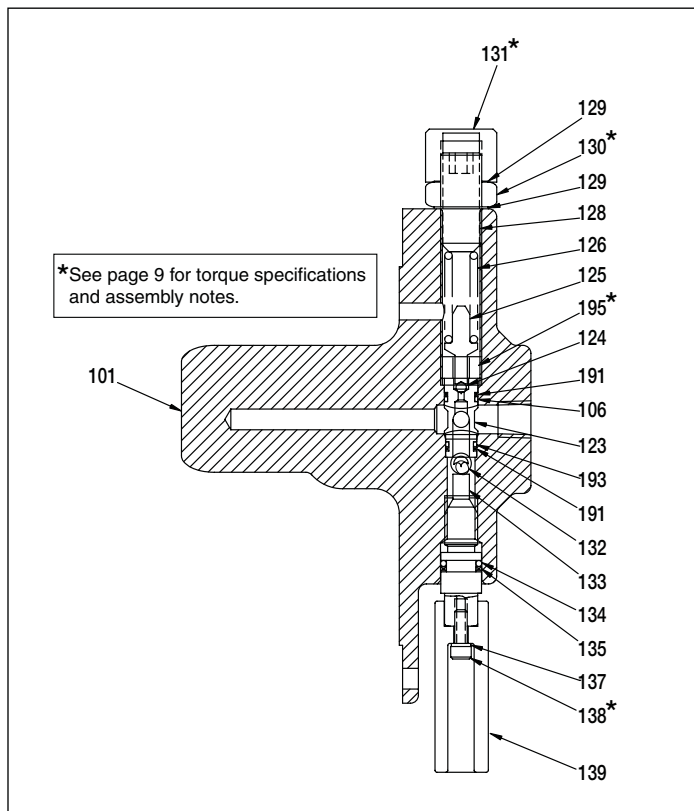


Figure 3, Valve and Manifold Assembly

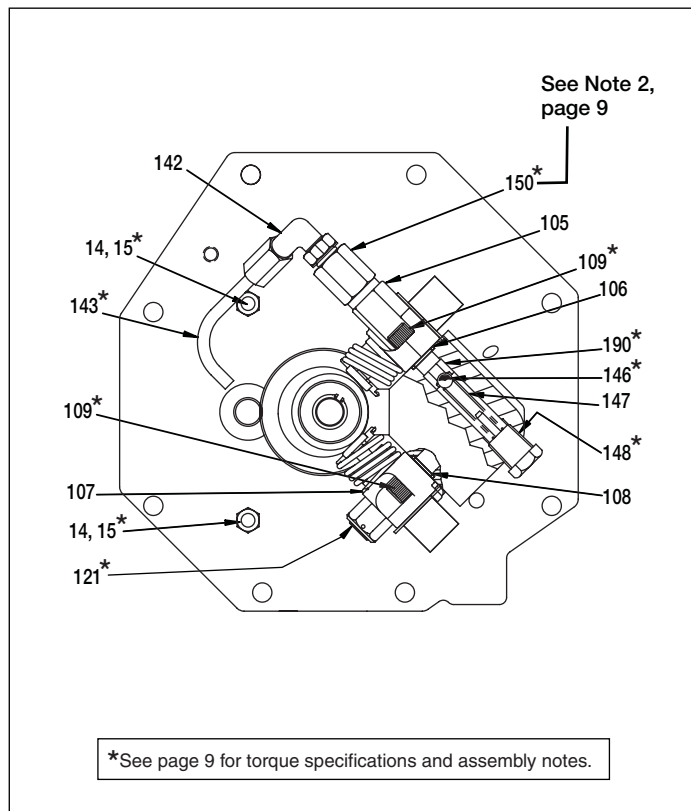


Figure 4, Pump Bottom View

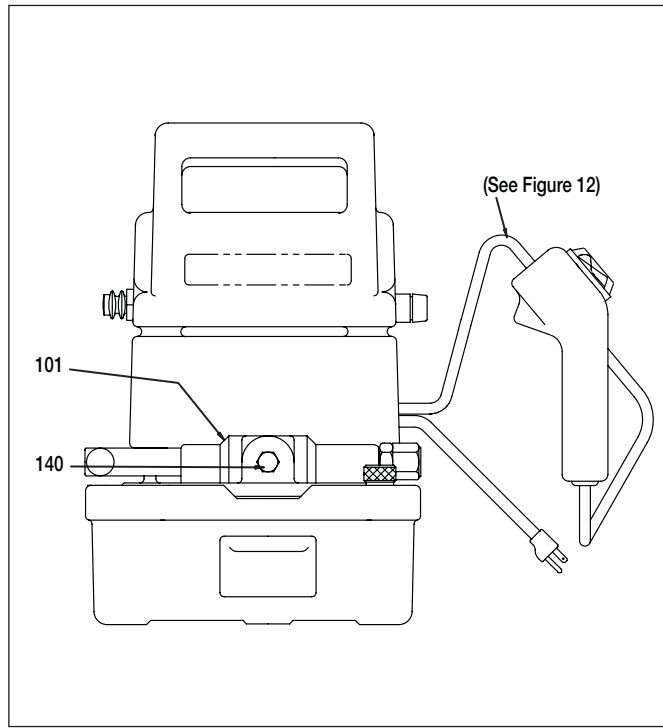


Figure 5, Pump Front View (assembled)

Repair Parts List for Figures 1 through 5

Item	Part Number	Qty.	Description	Item	Part Number	Qty.	Description
2	★DA12088167SR	1	Gasket (Includes item 156)	126	★A109164	1	Compression Spring
3	DA1910900SR	1	Reservoir Assembly. 0.5 Gal.	128	DA252028	1	Adjusting Screw
	DA4780900SR	1	Reservoir Assembly. 1.0 Gal.	129	★S1167	1	Gasket
10	DA3776006	2	Pin	130	CW306055	1	Lock Nut
14	DA15066	3	Lock Washer	131	CW307055	1	Cap Nut
15	B1018121	3	Hex Nut	132	★B1009016	1	Ball (0.312 in. dia.)
17	CW261225	6	Eyelet	133	C790010SR	1	Stem
18	F866028	6	Machine Screw	134	★B1111203	1	O-Ring, Viton
19	CW259298	1	Baffle	135	★B1111564	1	Washer
25	Contact Enerpac	1	Nameplate	137	B1086066	1	Lockwasher
26	DC818003	4	Pop Rivet	138	B1323028	1	Screw, Socket Head
27	DA608024	1	Vent Plug	139	DA544070SR	1	Handle
28	★B1906503	1	O-Ring	140	R515245-2	1	Plug
36	DA931225	2	Insert	141	A1016245	1	Plug
101	DA12486840SR	1	Pump Manifold (includes # 121)	142	DA1011096	1	Elbow
102	CW179259	1	115 VAC Motor	143	DA261268	1	Tube
	DC1415259	1	220 VAC Motor (50 Hz)	144	★CW467044	1	Retaining Ring
105	CW298950SR	1	.53 Piston Block Assembly	145	★DA445107	2	Bearing
106	★B1007503	1	O-Ring	146	★B1007016	1	Ball
107	CW299950SR	1	.24 Piston Block Assembly	147	★DA1564110	1	Spring
108	★B1012803	1	O-Ring	148	DC433950	1	Plug Assembly
109	B1010028X	4	Screw	150	DA610900SR	1	Relief Valve Assembly
110	CW252107	1	Bearing	154	★CU876028	3	Screw (10-24)
114	CW301228	1	Driven Gear	155	DA3585186	3	Spacer
115	★B1097057	1	Spring Pin	156	See item 2	1	Gasket
116	★CW199107	1	Bearing	190	DA12352290	1	Ball Seat
117	CW251107	1	Bearing	191	★B1012565	2	Washer, Back-up
118	CW302107	1	Bearing	193	★DC19503	1	O-Ring
119	CW303104	1	Shaft	195	DC866027	1	Lock Screw
121	DA5999900SR	1	Relief Valve (see Figure 4)	200	★DC1947167	1	Gasket
123	★DA12199290	1	Ball Seat Insert	Replacement Brushes for Electric Motor			
124	★B1004016	1	Ball (0.156 in. dia.)	- - -	DA9655380	1	Brush Set for 115V Models
125	DC990900	1	Ball Guide	- - -	DA9656380	1	Brush Set for 220V Models

★ Included in Repair Kit PUJ1200BK1

* See page 9 for torque specifications and assembly notes.

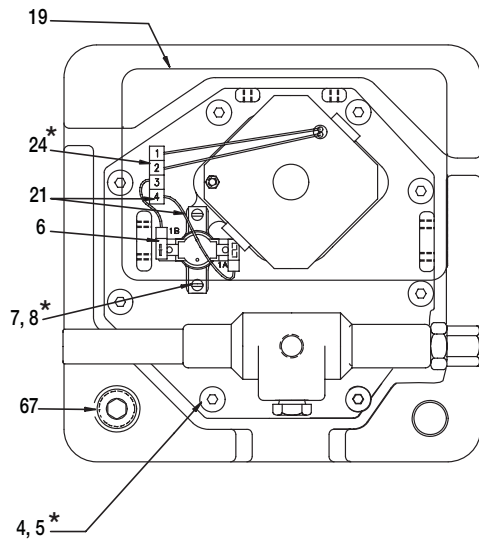


Figure 6, Pump Top View

Repair Parts List for Figure 6

Item	Part Number	Qty.	Description
4	DA6954167	8	Gasket
5	DC2038028	8	Screw
6	E1100004	1	Thermostat, 115V
	DC8401372	1	Thermostat, 220V
7	C701222	2	Washer
8	M642028	2	Screw
19	CW259298	1	Baffle
21	DC7969960	2	Wire Assembly
24	DA11540380	1	Pin Housing
67	A1009245	2	Plug

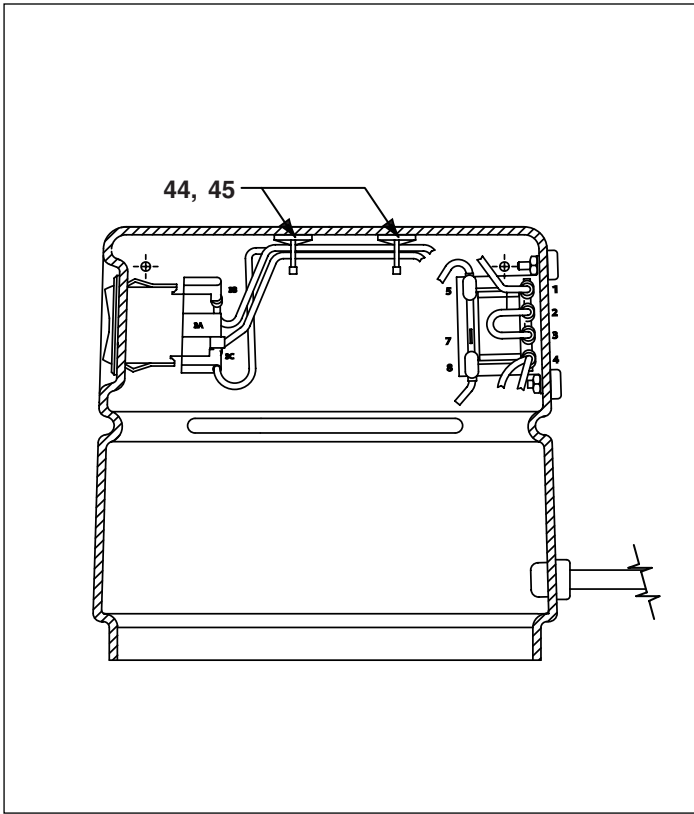


Figure 7, Shroud Wiring - Behind Motor

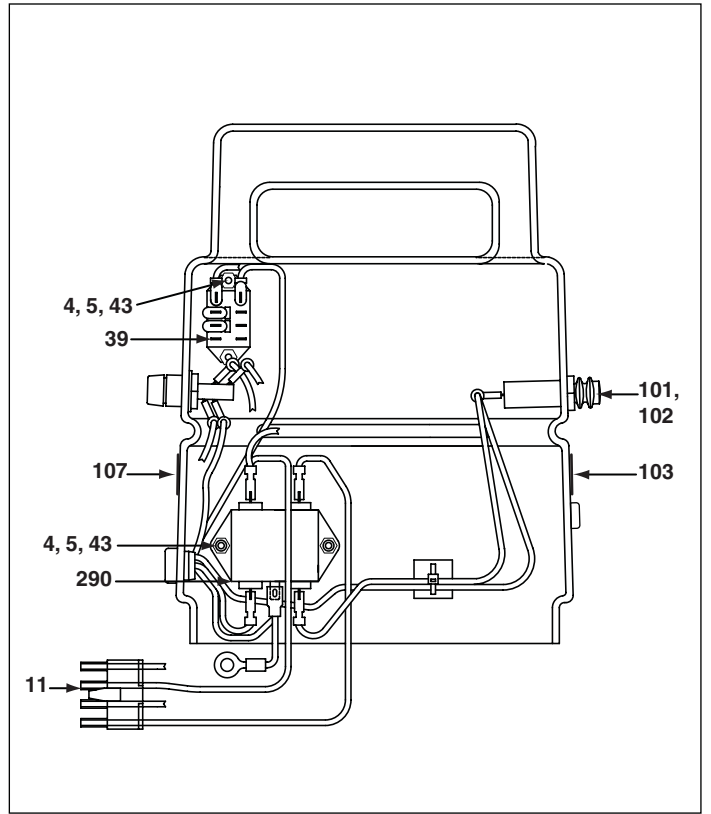


Figure 8, Shroud Wiring - Front of Motor

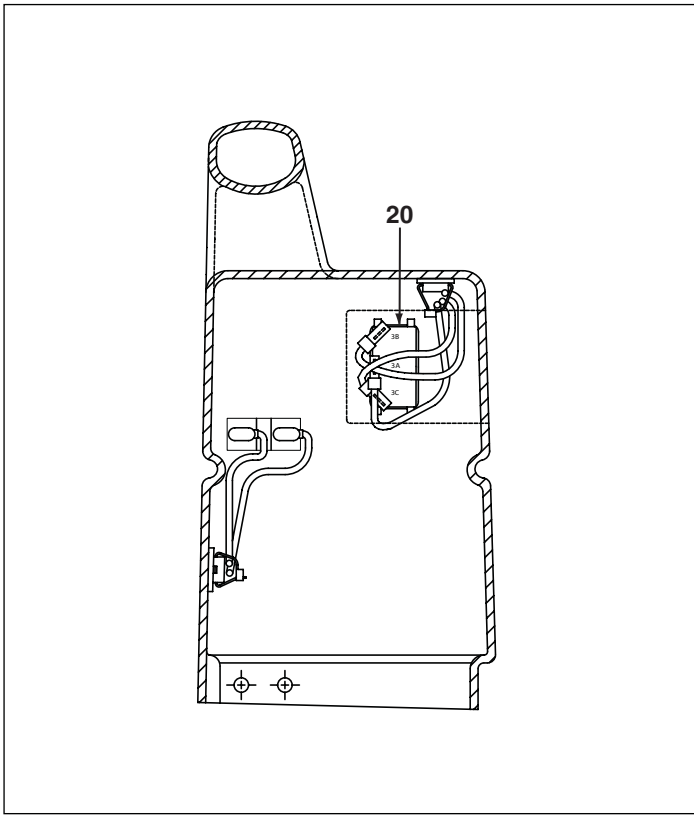


Figure 9, Shroud Wiring - Left of Motor

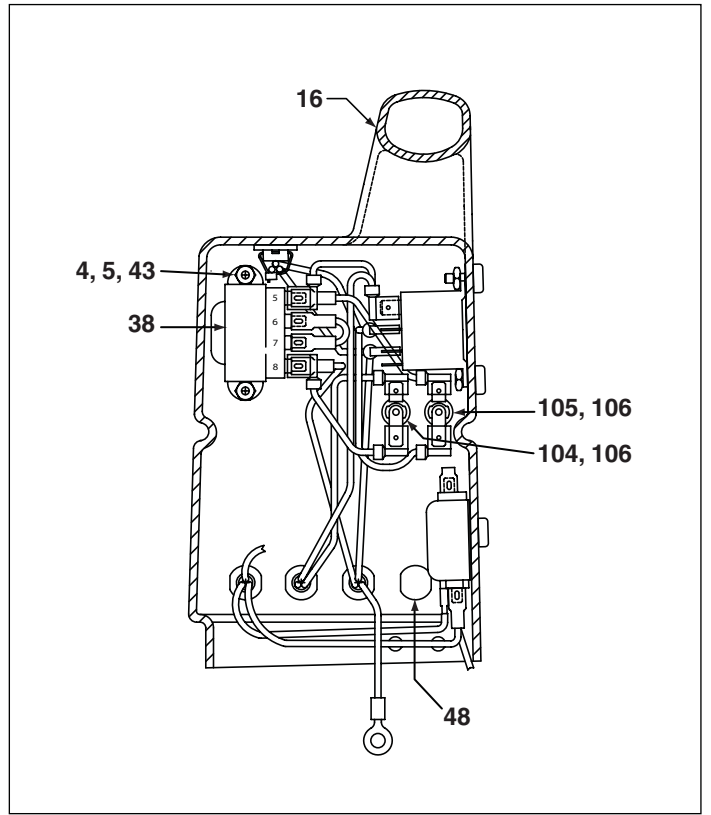


Figure 10, Shroud Wiring - Right of Motor

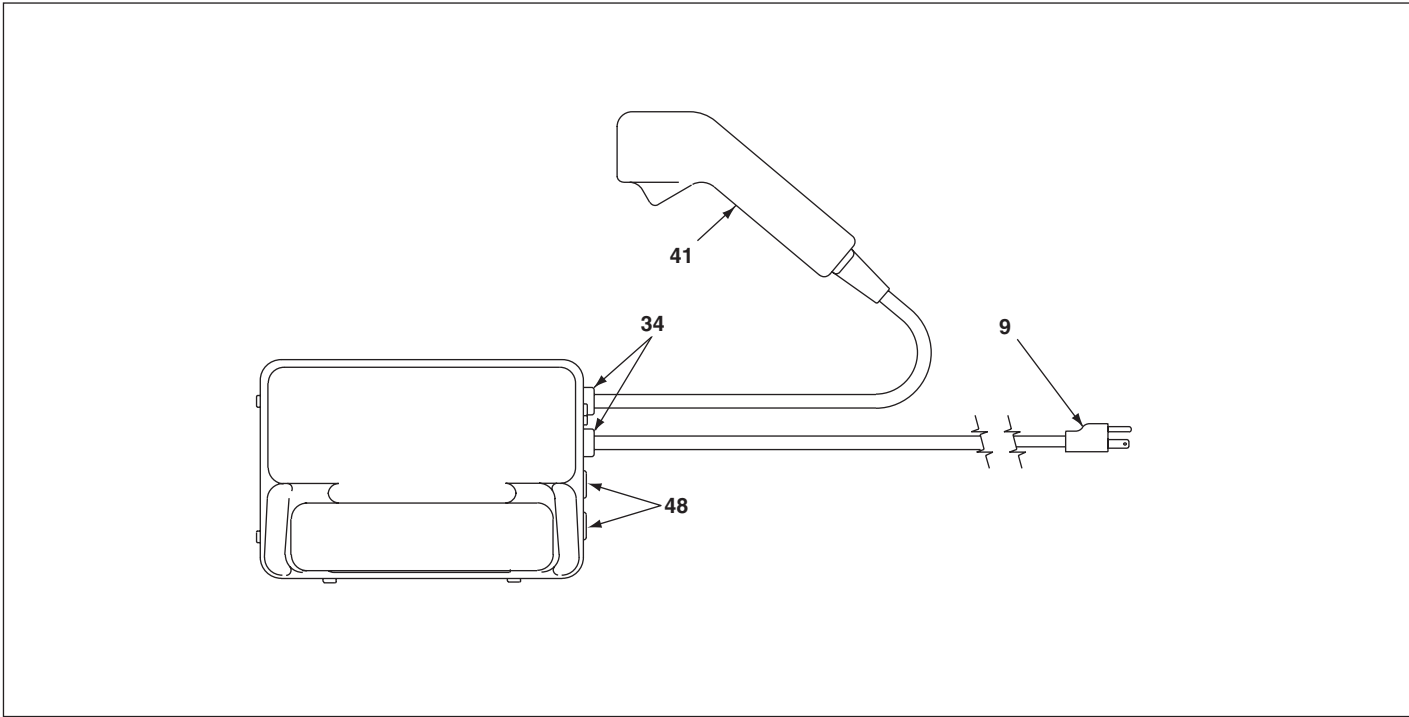


Figure 11, Top View, Cord and Cables

Repair Parts List for Figures 7 through 11							
Item	Part Number	Qty.	Description	Item	Part Number	Qty.	Description
4	BC1310728	4	Screw (115V)	43	DA5974098	4	Screw Cover (115V)
	BC1310728	6	Screw (220V)		DA5974098	6	Screw Cover (220V)
5	F75021	4	Lock Nut #6-32 (115V)	44	EHC3901075	3	Tie Down, Self Adhesive
	F75021	6	Lock Nut #6-32 (220V)	45	DA3131217	4	Cable Tie
9	DC7954960SR	1	Power Cord (115V)	48	DA3731009	2	Hole Plug
	DC10008960SR	1	Power Cord (220V)	101	DC8366380	1	Circuit Breaker (115V)
11	DA11539380	1	Receptacle		DC8367380	1	Circuit Breaker (220V)
16	DC10035098	1	Shroud - PUM Models	102	DC8200380	1	Circuit Breaker Reset Cap
	DC10037098	1	Shroud - PUJ Models (115V)	103	DC8237023	1	Circuit Breaker Decal
	DC10036098	1	Shroud - PUJ Models (220V)	104	DC8371378	1	Secondary Fuse, 300mA
20	E1500002	1	Switch	105	DC8370378	1	Primary Fuse, 62mA (115V)
34	CR759291	2	Cord Bushing		DC8400378	1	Primary Fuse, 40mA (220V)
38	DA5875380	1	Transformer	106	DC8372378	2	Fuse Holder
39	E1300008	1	Relay, D1 - PUJ Only (115V)	107	DC7891026	1	Fuse Decal
	DC8280980	1	Relay, D1 - PUJ Only (220V)	290	DC8365380	1	EMI Filter (220V only)
41	DC7953900SR	1	Pendant Assy - PUJ Only				

Note: For replacement shroud assembly:
 • Model PUM1200B only: Order Repair Kit DC7942900SR.
 • PUJ Models, 115V: Order Repair Kit DC7933900SR.
 • PUJ Models, 220V: Order Repair Kit DC7934900SR.

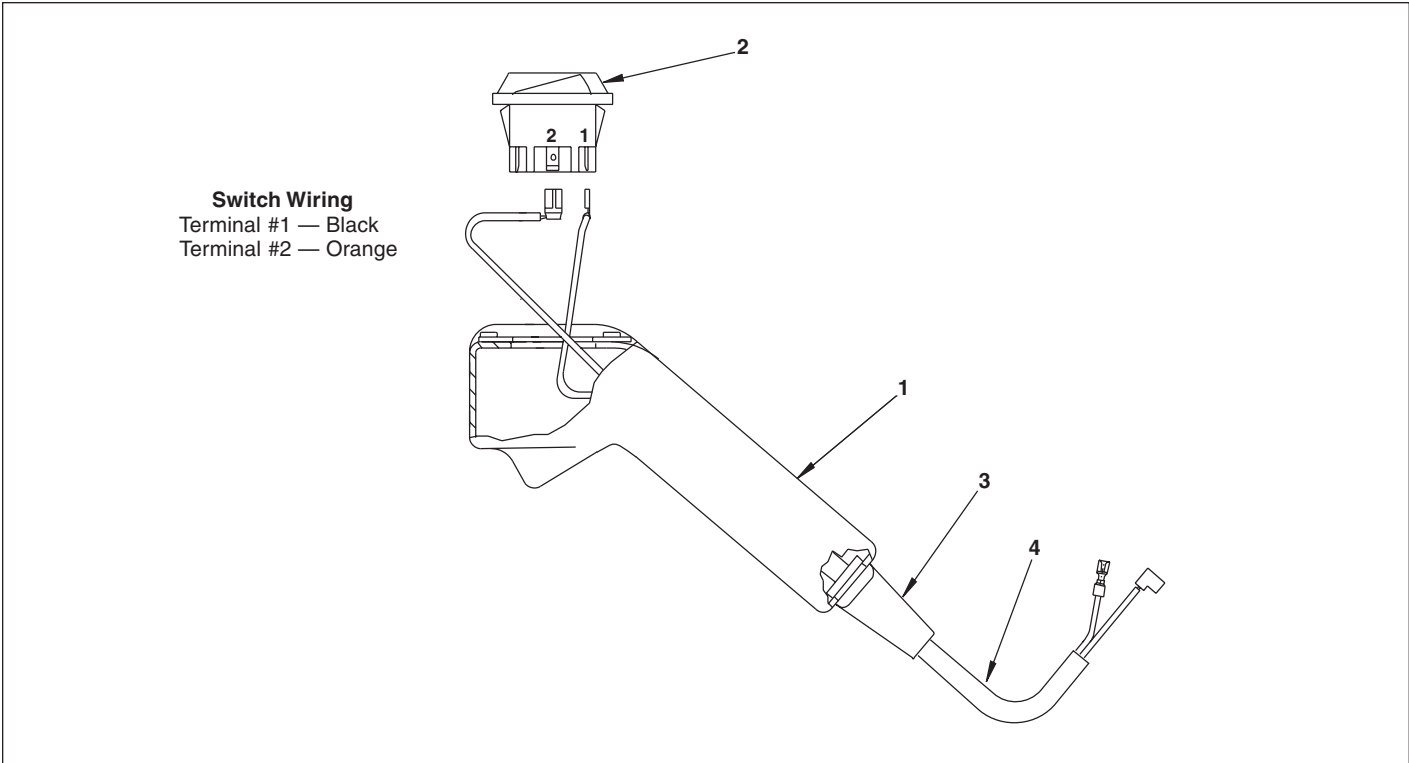


Figure 12, Remote Pendant Assembly

Repair Parts List for Figure 12							
Item	Part Number	Qty.	Description	Item	Part Number	Qty.	Description
1	CU598190	1	Pendant Body	3	DA1568007	1	Strain Relief
2	CU911372	1	Switch	4	DC10003960	1	Wire Assembly
For complete replacement pendant assembly, order part number DC7953900SR.							

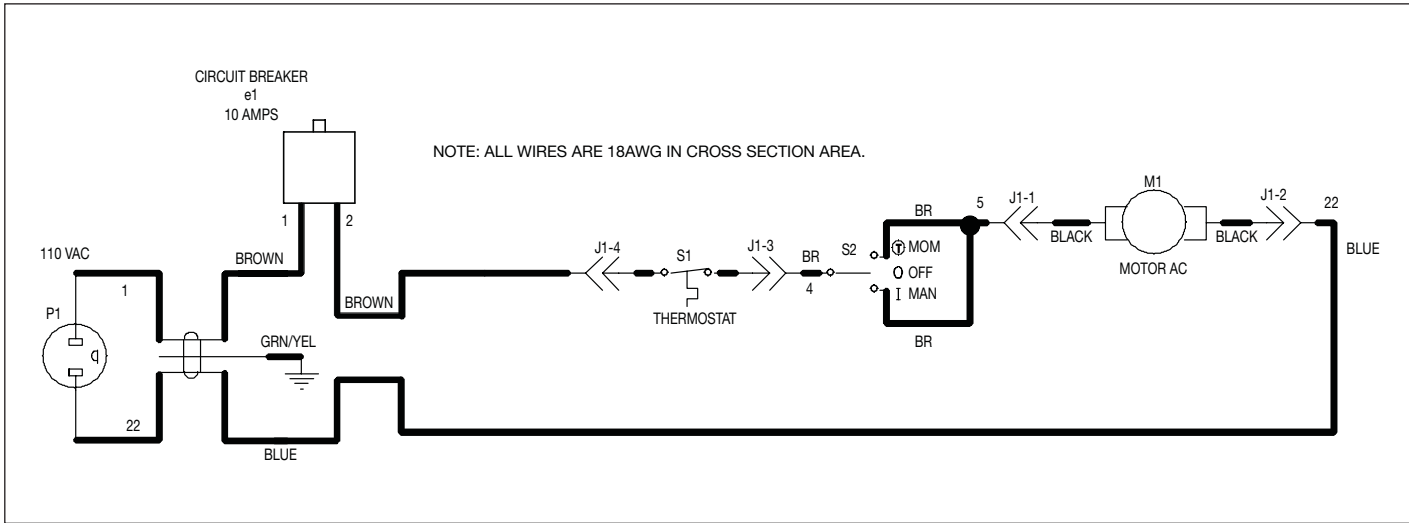


Figure 13, Electrical Schematic, PUM Models

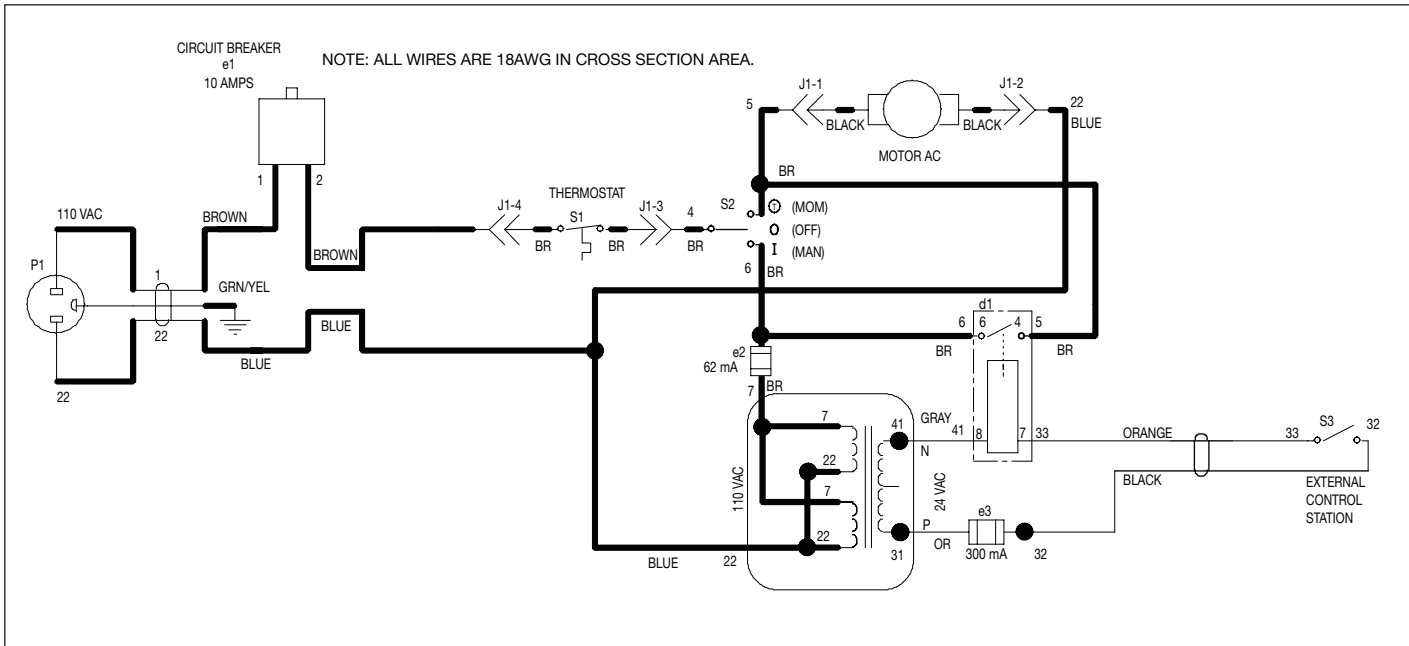


Figure 14, Electrical Schematic, PUJ Models (115V)

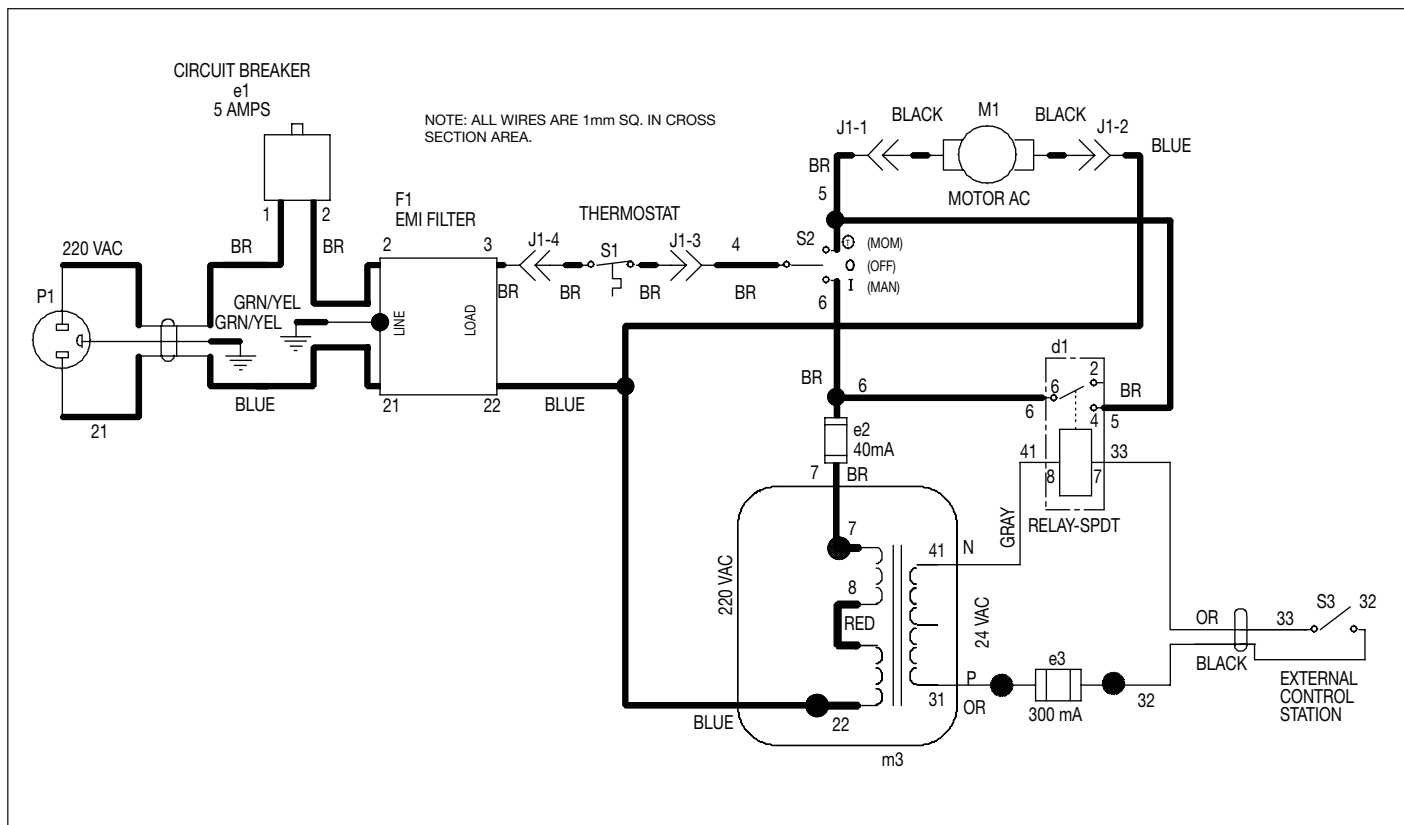


Figure 15, Electrical Schematic, PUJ Models (220V)

Figure	Item No.	Torque Specification and/or Assembly Notes
1	18	Apply 1 drop Loctite #242 to threads. Torque to 12 to 18 in-lbs (1,4 to 2,0 Nm).
1	154	Torque to 27-31 in-lbs (3,1 to 3,5 Nm).
1	Note 1	Install bearing, Item 117, flush to 0.010" (2,54 mm) recessed from surface.
2	10	Trim wire length to 9 to 10 inches (228 - 254 mm) before attaching pins (item 10). Then insert into item 24.
2	15	Torque to 27 to 31 in-lbs, (3,1 to 3,5 Nm).
3	130,131	Torque to 15 to 20 ft-lbs (20 to 27 Nm).
3	138	Torque to 25-30 in-lbs (28,8 to 34,5 cm/kg). Apply Locite 242 to threads before assembly.
3	195	Torque to 6-10 ft-lbs (8,1 to 13,5 Nm).
4	15	Torque to 27-31 in-lbs (3,1 to 3,5 Nm).
4	109	Torque to 14 to 16 ft-lbs, dry (19,0 to 21,7 Nm).
4	121	Torque to 16-19 ft-lbs, dry (21,7 to 25,8 Nm).
4	143	Align tube to face mesh and splash lubricate upper needle bearing.
4	146	Seat must be coined prior to assembly.
4	148	Assemble with Loctite #545.
4	150	Relief valve setting should be from 250 to 400 psi (17,3 to 27,9 bar).
4	190	Assemble with Loctite #609.
4	Note 2	Stake threads after setting pressure.
6	5	Torque to 47-53 in-lbs (5,3 to 6,0 Nm). Use Loctite #242 on item #5.
6	8	Torque to 9-12 in-lbs (1,0-1,3 Nm).
6	24	Attach to receptacle on shroud.

Enerpac Worldwide Locations

Africa

ENERPAC Middle East FZE
Office 423, JAFZA 15
P.O. Box 18004
Jebel Ali, Dubai
United Arab Emirates
Tel: +971 (0)4 8872686
Fax: +971 (0)4 8872687

Australia, New Zealand

Actuant Australia Ltd.
Block V Unit 3
Regents Park Estate
391 Park Road
Regents Park NSW 2143
(P.O. Box 261) Australia
Tel: +61 297 438 988
Fax: +61 297 438 648

Brazil

Power Packer do Brasil Ltda.
Rua dos Inocentes, 587
04764-050 - Sao Paulo (SP)
Tel: +55 11 5687 2211
Fax: +55 11 5686 5583
Toll Free in Brazil:
Tel: 0800 891 5770
vendasbrasil@enerpac.com

Canada

Actuant Canada Corporation
6615 Ordan Drive, Unit 14-15
Mississauga, Ontario L5T 1X2
Tel: +1 905 564 5749
Fax: +1 905 564 0305
Toll Free:
Tel: +1 800 268 4987
Fax: +1 800 461 2456
Technical Inquiries:
techservices@enerpac.com

China

Actuant Industries Co. Ltd.
No. 6 Nanjing Road
Taicang Economic Dep Zone
Jiangsu, China
Tel: +86 0512 5328 7529
+86 0512 5328 7500 7529
Fax: +86 0512 5335 9690

Actuant China Ltd. (Beijing)

709B Diyang Building
Xin No. 2
Dong San Huan North Rd.
Beijing City
100028 China
Tel: +86 10 845 36166
Fax: +86 10 845 36220

◆ e-mail: info@enerpac.com

Central and Eastern Europe, Greece

ENERPAC GmbH
P.O. Box 300113
D-40401 Düsseldorf
Willstätterstrasse13
D-40549 Düsseldorf
Germany
Tel: +49 211 471 490
Fax: +49 211 471 49 28

France, Switzerland francophone

ACTUANT - ENERPAC
France S.A., ZA de Courtaboeuf
32, avenue de la Baltique
91140 Villebon / Yvette
France
Tel: +33 1 60 13 68 68
Fax: +33 1 69 20 37 50

Germany, Austria and Switzerland

ENERPAC GmbH
P.O. Box 300113
D-40401 Düsseldorf
Willstätterstrasse13
D-40549 Düsseldorf
Germany
Tel: +49 211 471 490
Fax: +49 211 471 49 28

India

ENERPAC Hydraulics
(India) Pvt. Ltd.
No. 1A,
Peenya Industrial Area,
IInd Phase
Bangalore, 560 058 India
Tel: +91 80 40 792 777
Fax: +91 80 40 792 792

Italy

ENERPAC S.p.A.
Via Canova 4
20094 Corsico (Milano)
Tel: +39 02 4861 111
Fax: +39 02 4860 1288

Japan

Applied Power Japan LTD KK
Besshochou 85-7
Kita-ku,
Saitama-shi 331-0821
Japan
Tel: +81 48 662 4911
Fax: +81 48 662 4955

Middle East, Turkey and Caspian Sea

ENERPAC Middle East FZE
Office 423, JAFZA 15
P.O. Box 18004
Jebel Ali, Dubai
United Arab Emirates
Tel: +971 (0)4 8872686
Fax: +971 (0)4 8872687

Russia and CIS

(excl. Caspian Sea Countries)
Actuant LLC
Admiral Makarov Street 8
125212 Moscow, Russia
Tel: +7-495-9809091
Fax: +7-495-9809092

Scandinavia

ENERPAC Scandinavia AB
Fabriksgatan 7
41250 Gothenburg
Sweden
Tel: +46 31 7990281
Fax: +46 31 7990010

Singapore

Actuant Asia Pte. Ltd.
37C, Benoi Road Pioneer Lot,
Singapore 627796
Tel: +65 68 63 0611
Fax: +65 64 84 5669
Toll Free: +1800 363 7722
Technical Inquiries:
techsupport@enerpac.com.sg

South Korea

Actuant Korea Ltd.
3Ba 717,
Shihwa Industrial Complex
Jungwang-Dong, Shihung-Shi, Kyunggi-Do
Republic of Korea 429-450
Tel: +82 31 434 4506
Fax: +82 31 434 4507

Spain and Portugal

ENERPAC SPAIN, S.L.
Avda. Los Frailes, 40 – Nave C & D
Pol. Ind. Los Frailes
28814 DAGANZO DE ARRIBA (Madrid)
Spain
Tel: +34 91 661 11 25
Fax: +34 91 661 47 89

◆ internet: www.enerpac.com

The Netherlands, Belgium, Luxembourg, Denmark, Norway, Finland and Baltic States

ENERPAC B.V.
Galvanistraat 115, 6716 AE Ede
P.O. Box 8097, 6710 AB Ede
The Netherlands
Tel: +31 318 535 911
Fax: +31 318 525 613
+31 318 535 848

Technical Inquiries Europe:
techsupport.europe@enerpac.com

United Kingdom, Ireland

Enerpac Ltd
Bentley Road South
Darlaston, West Midlands
WS10 8LQ, United Kingdom
Tel: +44 (0)121 50 50 787
Fax: +44 (0)121 50 50 799

USA, Latin America and Caribbean

ENERPAC
P.O. Box 3241
6100 N. Baker Road
Milwaukee, WI 53209 USA
Tel: +1 262 781 6600
Fax: +1 262 783 9562

User inquiries:
+1 800 433 2766

Inquiries/orders:
+1 800 558 0530

Technical Inquiries:
techservices@enerpac.com

ENERPAC
704 W. Simonds
Dallas, TX 75159 USA
Tel: +1 972 287 2390
Fax: +1 972 287 4469

All Enerpac products are guaranteed against defects in workmanship and materials for as long as you own them.
For your nearest authorized Enerpac Service Center, visit us at www.enerpac.com