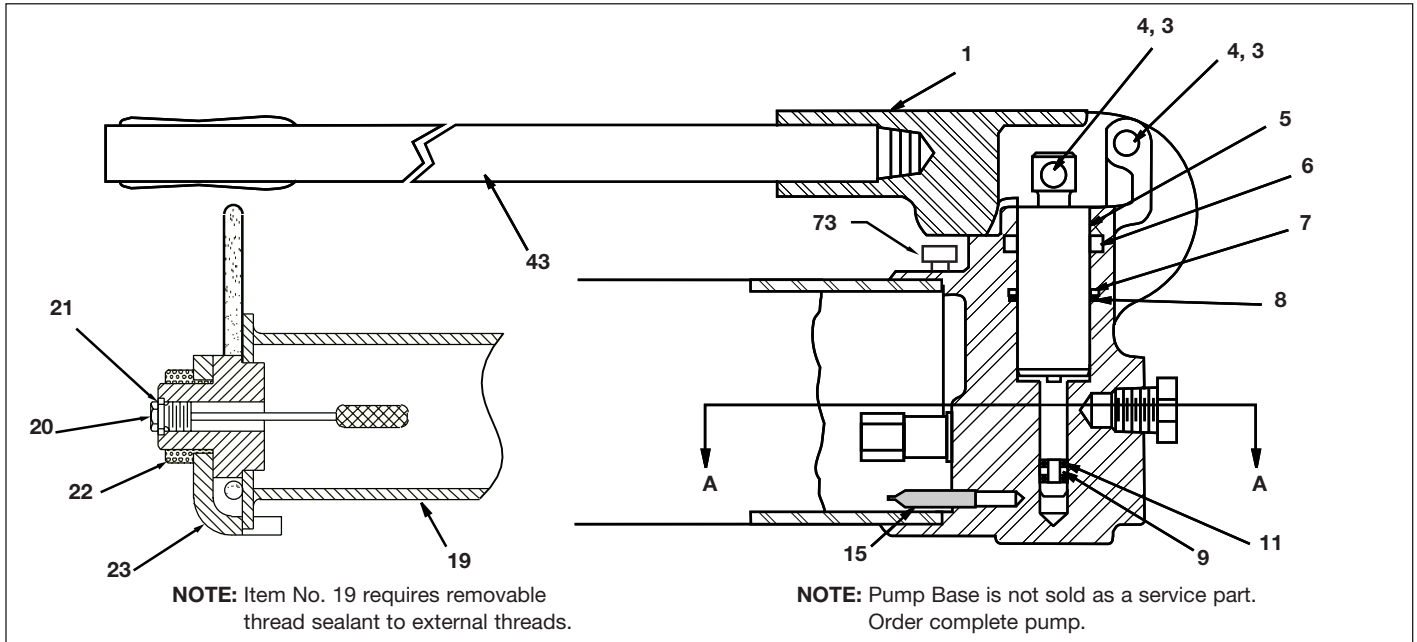


**Index:**

English . . . . . 1-4  
Français . . . . . 5-8

**To Protect Your Warranty, Use Only ENERPAC Hydraulic Oil.**  
Enerpac recommends that all kit components be installed to insure optimum performance of the repaired unit.



**Figure 1, Pump Assembly**

**Repair Parts List for Figure 1**

Item	Model P-80, 1006	Model P-801	Model P-84	Qty.	Description
1	B113060-1	B113060-1	B113060-1	1	Beam
3	★ DA1177349	★ DA1177349	† DA1177349	2	Retaining Ring
4	DC106061SR1	DC106061SR1	DC106061SR1	2	Beam Pin (Includes item 3)
5	CN464051SR2	CN464051SR2	CN464051SR2	1	Pump Plunger (Includes Items 3, 4, 6, 7, 8, 9, 11)
6	★ C912044	★ C912044	† C912044	1	Wiper Ring
7	★ B1216565	★ B1216565	† B1216565	1	Back-up Ring
8	★ B1021503	★ B1021503	† B1021503	1	O-ring Packing
9	★ B1011803	★ B1011803	† B1011803	1	O-ring
11	★ B1011564	★ B1011564	† B1011564	1	Back-up Ring
15	★ P30718	★ P30718	† P30718	1	Oil Strainer Screen
19	B245900SR	CS605900	B245900SR	1	Reservoir Assembly
20	CL244950W	CL244950W	CL244950W	1	Filler Plug (Includes item 21)
21	★ B159167	★ B159167	† B159167	4	Gasket
22	S4123	S4123	S4123	1	Jam Nut
23	B242267	B242267	B242267	1	Pump Rest
43	C7900SR	BSS2922D	C7900SR	1	Handle Assembly
73	CA561024	CA561024	CA561024	1	Vent

★ Items are included in Repair Kit P80K4. (Viton Kit: P-80 use P80KV3.)

† Items are included in Repair Kit P84K3. (Viton Kit: P-84 use P84KV3.)

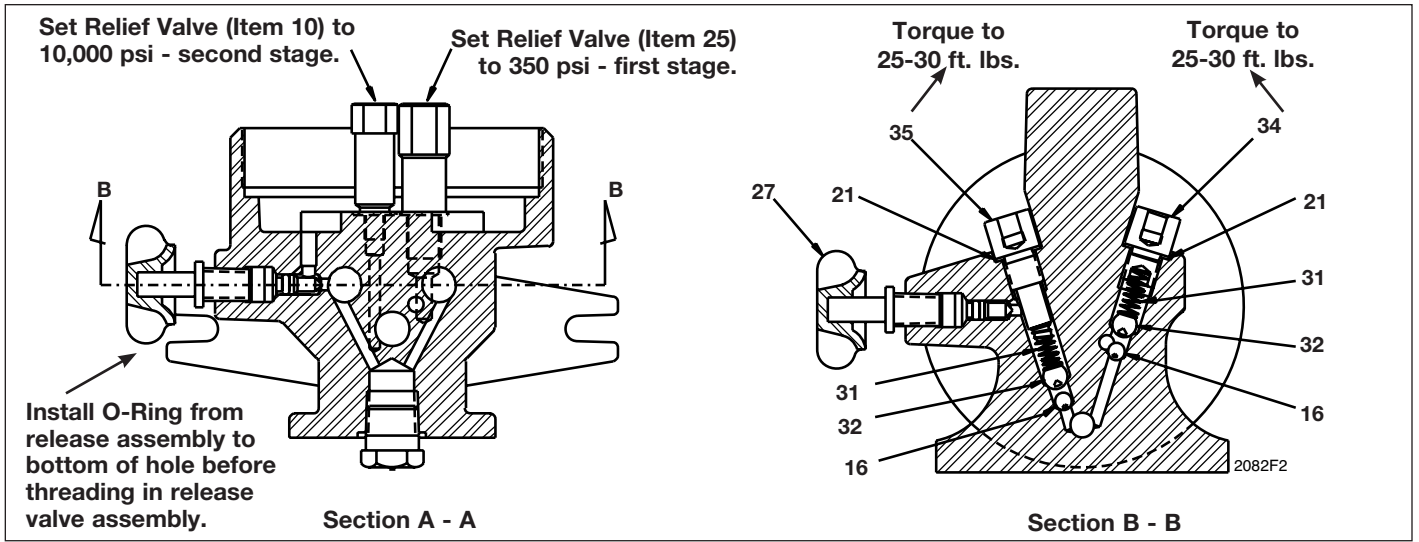
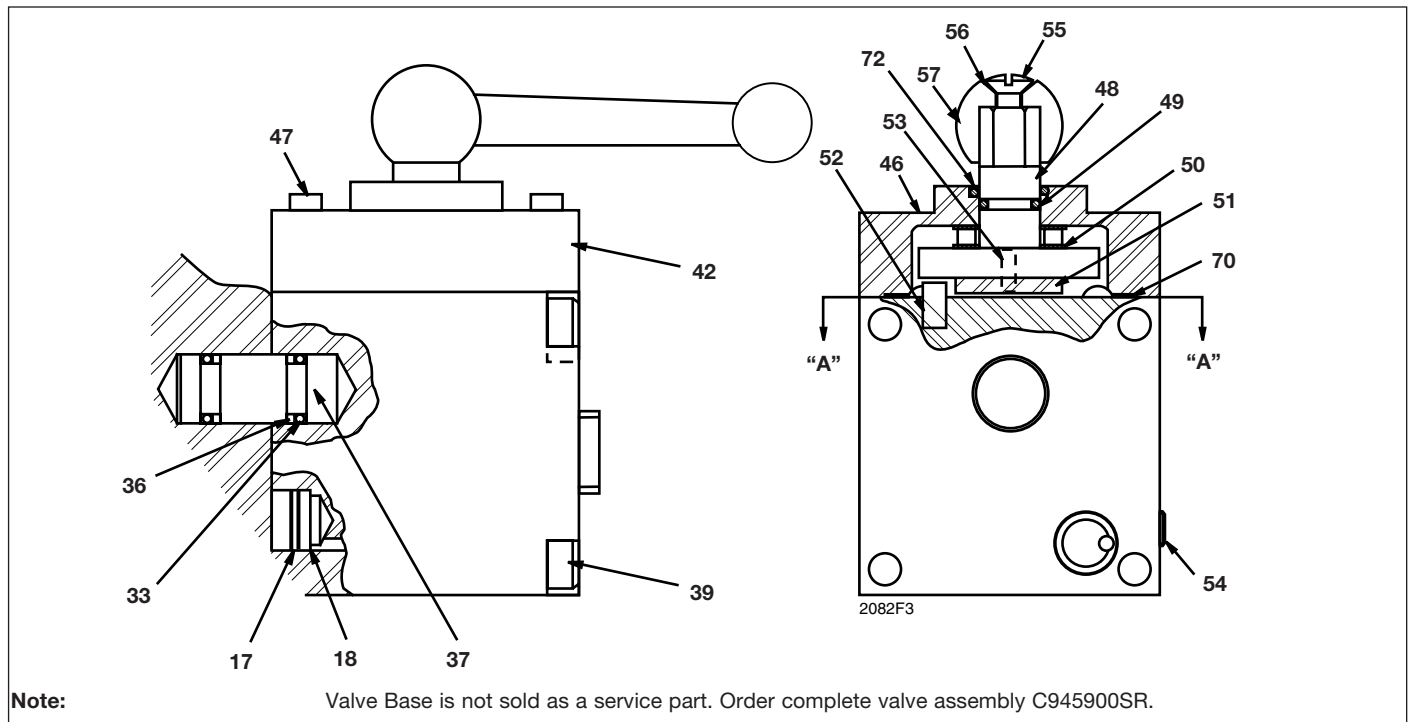


Figure 2, Pump Head

Repair Parts List for Figure 2				
Item No.	Model P-80, 1006	Model P-84	Quantity	Description
10	A8613900SR	A8613900SR	1	Relief Valve (includes Item 38)
16	★ B1006016	† B1006016	2	7/32" Ball
21	★ B159167	† B159167	4	Gasket
25	C960900SR	C960900SR	1	By-pass Valve (Includes Item 21)
27	CL655950SR	—	1	Release Valve (Includes Items 28, 29, 30)
31	★ S1183	† S1183	2	Spring
32	★ B1009016	† B1009016	2	5/16" Ball
34	B249185SR	B249185SR	1	Valve Plug (Includes Items 21, 31, 32, 16)
35	DA2526006SR	DA2526006SR	1	Valve Plug (Includes Items 16, 21, 31, 32)

★ Items are included in Repair Kit P80K4. (Viton Kits: P-80 use P80KV3.)

† Items are included in Repair Kit P84K3. (Viton Kits: P-84 use P84K3V.)



Note:

Valve Base is not sold as a service part. Order complete valve assembly C945900SR.

Figure 3, P-84 Valve Assembly

### Repair Parts List for Figure 3

Item No.	Model P-84	Quantity	Description
17	★★†CJ416041	1	Seal Ring
18	† B1084108	1	Washer
33	† B1008503	2	O-ring
36	† B1110564	2	Back-up Washer
37	C952270SR	1	Connector
39	B1025028	4	Cap Screw
42	C945900SR	1	4-Way Valve Assembly (Includes Items 17, 18, 33, 36)
46	C934162SR	1	Valve Body Cap (Includes Item 70)
47	B1332028	4	Socket Head Cap Screw
48	C932071SR	1	Disc (Includes Items 49, 50, 51, 52, 53)
49	★★ B1007503	1	O-ring
50	★★ C940155	1	Needle Thrust Bearing
51	★★ C933561	1	Disc Bar
52	★★ C939153	1	Groove Pin
53	★★ B1049057	2	Spring Pin
54	★★ A1006245	7	Pipe Plug
55	★★ P45138	1	Screw
56	★★ P45139	1	Lock Washer
57	P6012SR	1	Release Valve Lever (Includes Items 55, 56)
70	★★ C957037	1	Gasket
72	★★ A1028476	1	Seal

★★ Items are included in Repair Kit C945900K.

† Items are included in Repair Kit P84K3. (Viton Kits: P-84 use P84K3V.)

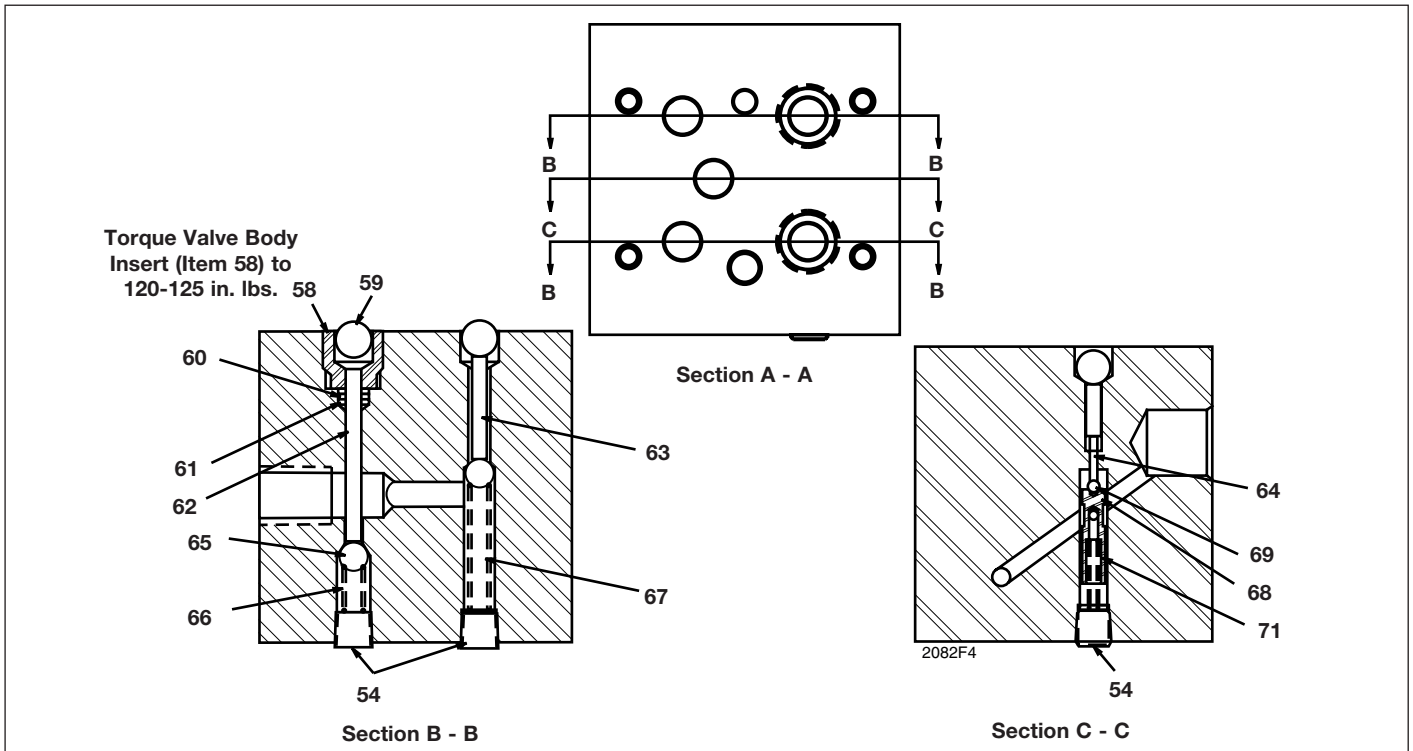


Figure 4, P84 Valve Body

**Repair Parts List for Figure 4**

<b>Item No.</b>	<b>Model P-84</b>	<b>Quantity</b>	<b>Description</b>
54	★★ A1006245	7	Pipe Plug
58	C861439SR	2	Valve Body Insert (Includes Items 57, 59, 60, 61, 62, 65, 66)
59	★★ B1008016	2	Ball
60	★★ DA5776186	2	Spacer
61	★★ B1001503	2	O-ring
62	★★ C864153	2	Push Pin
63	★★ C863153	2	Push Pin
64	★★ C944153	1	Push Pin
65	★★ B1006016	4	Ball
66	★★ C830110	2	Spring
67	★★ C955110	2	Spring
68	F4570SR	1	Spring / Ball Cap Assembly (Includes Items 64, 67, 71)
69	★★ B1002016	1	Ball
71	★★ DA5769110	1	Spring

★★ Items are included in Repair Kit C945900K.

† Items are included in Repair Kit P84K3. (Viton Kits: P-84 uses P84K3V.)



www.enerpac.com

L2082\_Fr Rev. G 01/20

P-80, 1006 modèles avec code date commençant avec la lettre D.  
P-84 modèles avec code date commençant avec la lettre A.

Contracter Enerpac en cas de doute quant à l'utilisation du produit.

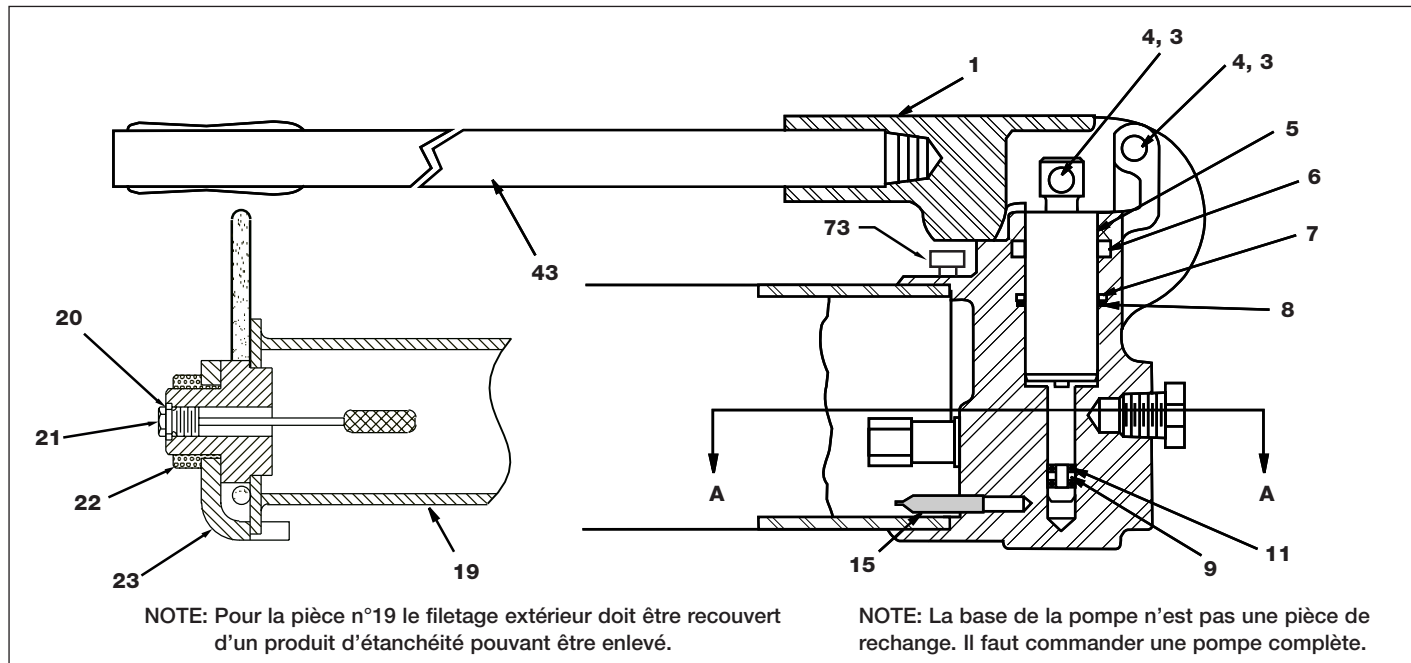


Figure 1, ensemble pompe

Liste pièces de rechange pour figure 1

Pièce n°	Modèle P-80, 1006	Modèle P-801	Modèle P-84	Quantité	Description
1	B113060-1	B113060-1	B113060-1	1	Levier
3	★ DA1177349	★ DA1177349	† DA1177349	2	Bague de retenue
4	DC106061SR1	DC106061SR1	DC106061SR1	2	Axe de levier (comprend pièce 3)
5	CN464051SR2	CN464051SR2	CN464051SR2	1	Plongeur (comprend pièces 3, 4, 6, 7, 8, 9, 11)
6	★ C912044	★ C912044	† C912044	1	Joint racler
7	★ B1216565	★ B1216565	† B1216565	1	Bague support
8	★ B1021503	★ B1021503	† B1021503	1	Garniture joint torique
9	★ B1011803	★ B1011803	† B1011803	1	Joint torique
11	★ B1011564	★ B1011564	† B1011564	1	Bague support
15	★ P30718	★ P30718	† P30718	1	Tamis crépine
19	B245900SR	CS605900	B245900SR	1	Ensemble réservoir
20	CL244950W	CL244950W	CL244950W	1	Bouchon remplissage (comprend pièce 21)
21	★ B159167	★ B159167	† B159167	4	Joint
22	S4123	S4123	S4123	1	Contre-écrou
23	B242267	B242267	B242267	1	Support pomp
43	C7900SR	BSS2922D	C7900SR	1	Ensemble levier de commande
73	CA561024	CA561024	CA561024	1	Passage

★ Pièces comprises dans le kit de réparation P80K4. (Kit Viton : P80KV3 pour P-80).

† Pièces comprises dans le kit de réparation P84K3. (Kit Viton : P84K3V pour P-84).

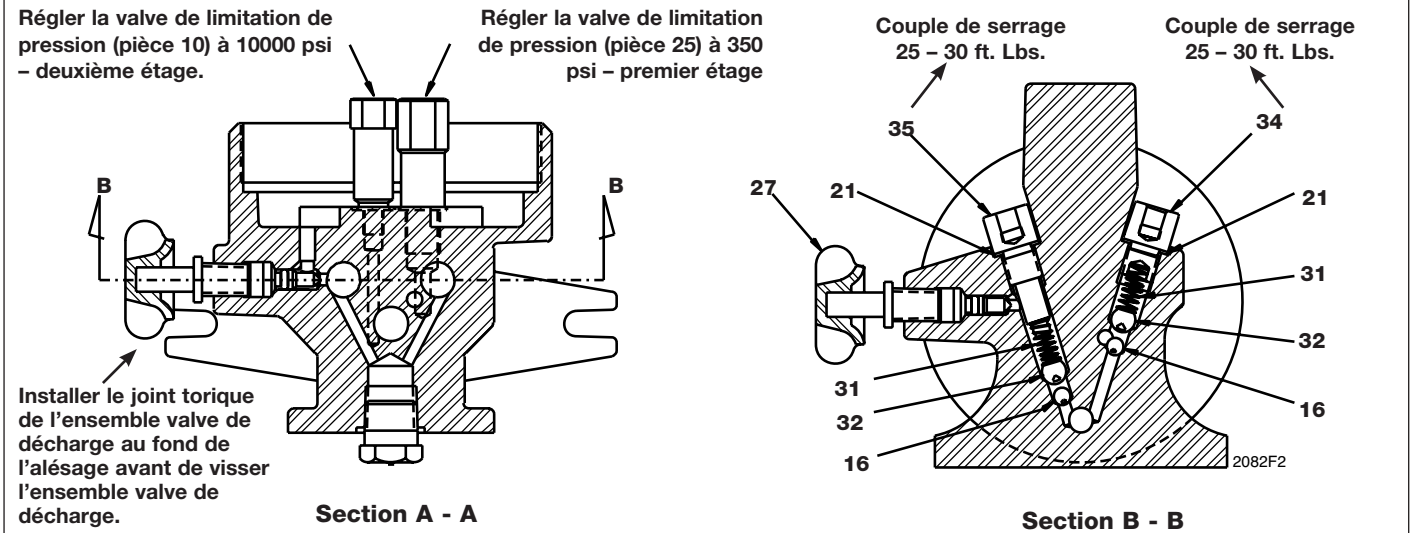


Figure 2, tête de pompe

Liste pièces de rechange pour figure 2				
Pièce n°	Modèle P-80, 1006	Modèle P-84	Quantité	Description
10	A8613900SR	A8613900SR	1	Valve limitation pression (comprend pièce 38)
16	★ B1006016	† B1006016	2	Bille 7/32"
21	★ B159167	† B159167	4	Joint
25	C960900SR	C960900SR	1	Valve de dérivation (comprend pièce 21)
27	CL655950SR		1	Valve limitation pression (comprend pièces 28, 29, 30)
31	★ S1183	† S1183	2	Ressort
32	★ B1009016	† B1009016	2	Bille 5/16"
34	B249185SR	B249185SR	1	Bouchon valve (comprend pièces 21, 31, 32, 16)
35	DA2526006SR	DA2526006SR	1	Bouchon valve (comprend pièces 16, 21, 31, 32,)

★ Pièces comprises dans le kit de réparation P80K4. (Kits Viton : P80KV3 pour P-80).

★ Pièces comprises dans le kit de réparation P84K3. (Kits Viton : P84K3V pour P-84).

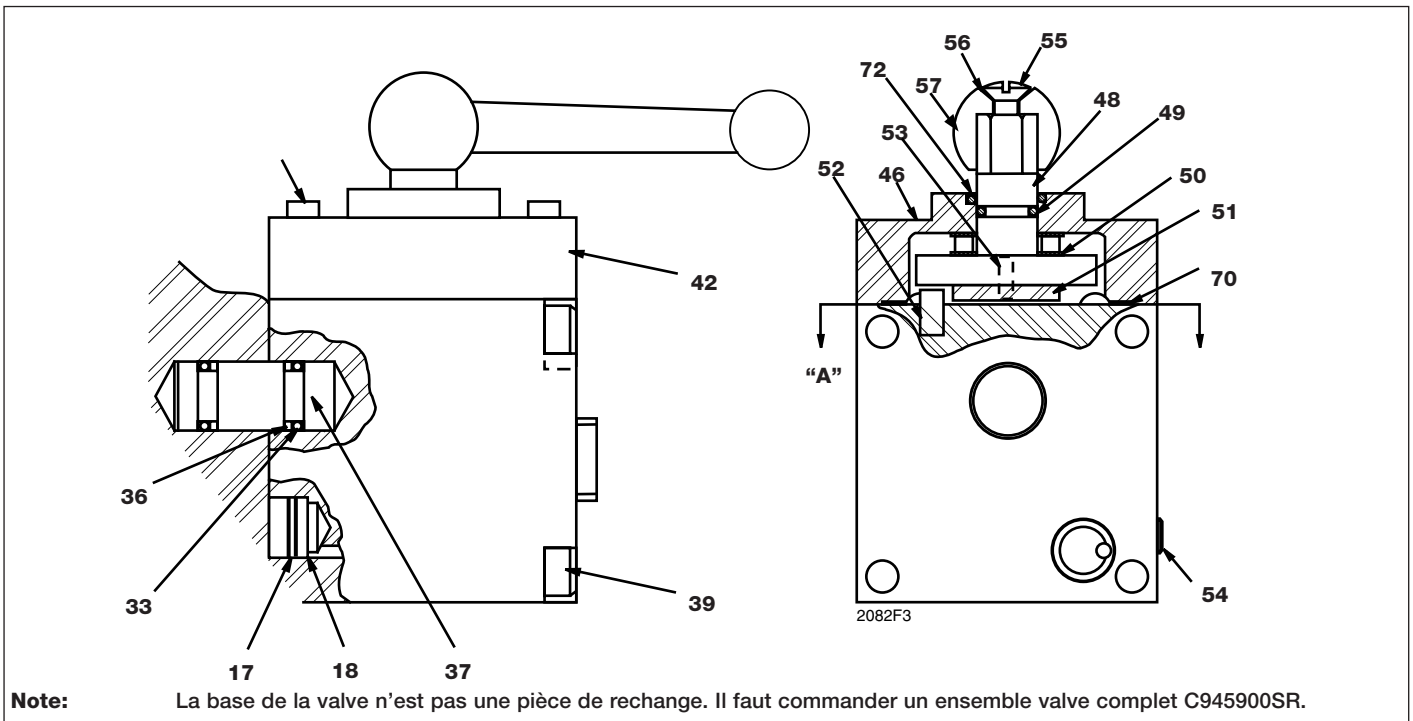


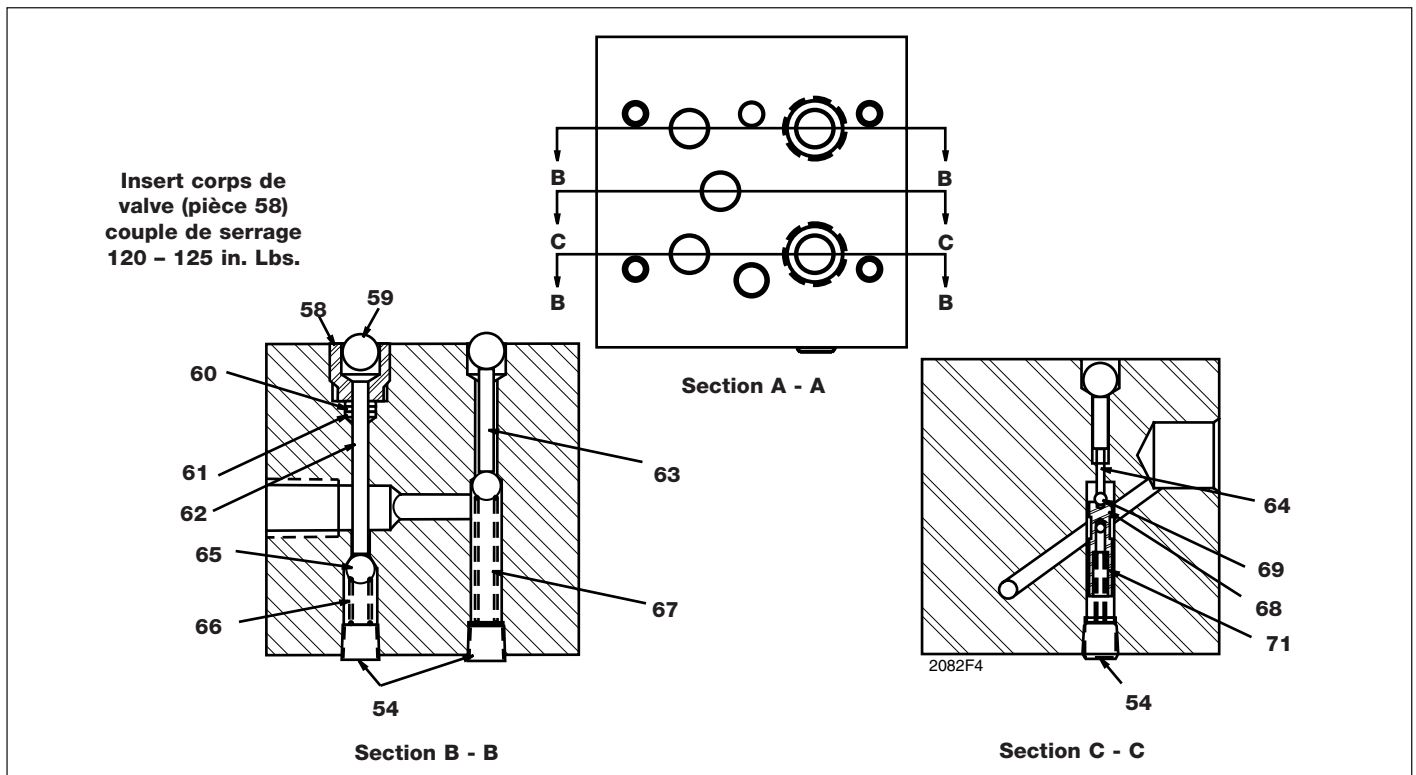
Figure 3, ensemble valve P-84

**Liste pièces de rechange pour figure 3**

Pièce n°	Modèle P-84	Quantité	Description
17	★★†CJ416041	1	Bague d'étanchéité
18	† B1084108	1	Rondelle
33	† B1008503	2	Joint torique
36	† B1110564	2	Rondelle support
37	C952270SR	1	Connecteur
39	B1025028	4	Capuchon vis
42	C945900SR	1	Ensemble valve à 4 voies (comprend pièces 17, 18, 33, 36)
46	C934162SR	1	Capuchon corps de valve (comprend pièce 70)
47	B1332028	4	Logement capuchon vis
48	C932071SR	1	Disque (comprend pièces 49, 50, 51, 52, 53)
49	★★ B1007503	1	Joint torique
50	★★ C940155	1	Butée à aiguilles
51	★★ C933561	1	Barre disque
52	★★ C939153	1	Goupille rainure
53	★★ B1049057	2	Goupille ressort
54	★★ A1006245	7	Bouchon de tube
55	★★ P45138	1	Vis
56	★★ P45139	1	Rondelle d'arrêt
57	P6012SR	1	Levier valve de décharge (comprend pièces 55, 56)
70	★★ C957037	1	Joint
72	★★ A1028476	1	Joint d'étanchéité

★★ Pièces comprises dans le kit de réparation C945900K.

† Pièces comprises dans le kit de réparation P84K3. (Kits Viton : P84K3V pour P-84).



**Figure 4, P84 Valve Body**

**Liste pièces de rechange pour figure 4**

<b>Pièce n°</b>	<b>Modèle P-84</b>	<b>Quantité</b>	<b>Description</b>
54	★★ A1006245	7	Bouchon de tube
58	C861439SR	2	Insert corps de valve (comprend pièces 57, 59, 60, 61, 62, 65, 66)
59	★★ B1008016	2	Bille
60	★★ DA5776186	2	Entretoise
61	★★ B1001503	2	Joint torique
62	★★ C864153	2	Tige poussoir
63	★★ C863153	2	Tige poussoir
64	★★ C944153	1	Tige poussoir
65	★★ B1006016	4	Bille
66	★★ C830110	2	Ressort
67	★★ C955110	2	Ressort
68	F4570SR	1	Ensemble ressort capuchon bille comprend pièces 64, 67, 71)
69	★★ B1002016	1	Bille
71	★★ DA5769110	1	Ressort

★★ Pièces comprises dans le kit de réparation C945900K.

† Pièces comprises dans le kit de réparation P84K3. (Kits Viton : P84K3V pour P-84).



www.enerpac.com