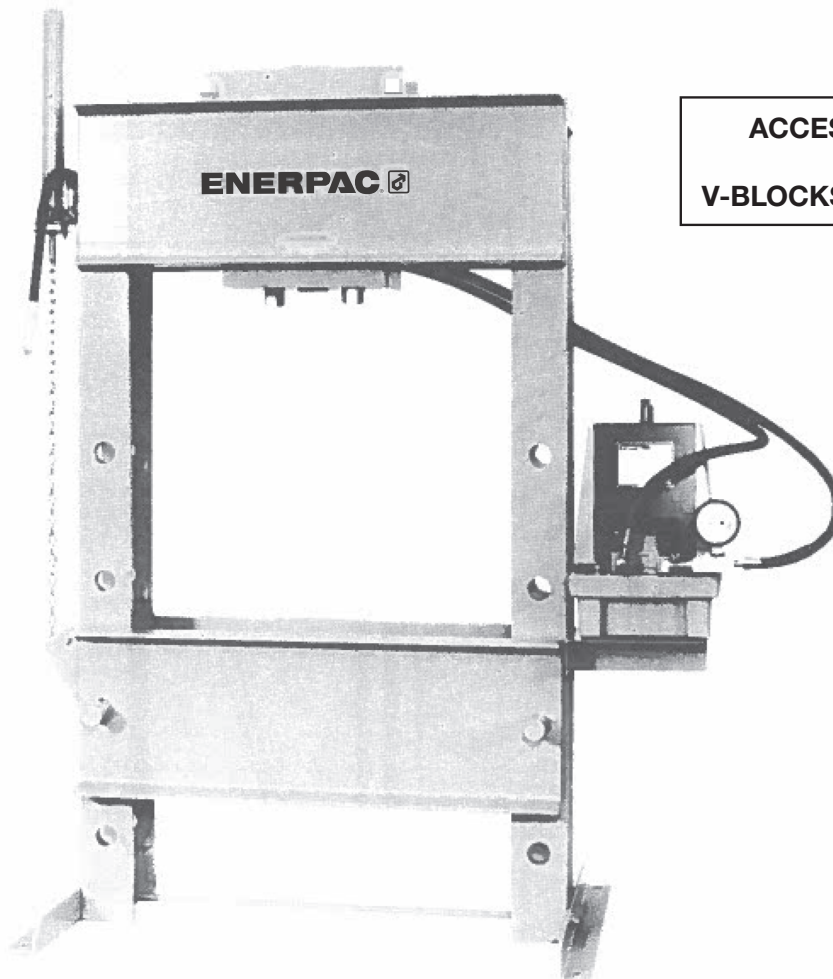


ENERPAC **TOOLS. SERVICES. SOLUTIONS.****Repair Parts Sheet****100 Ton Presses Industrial**

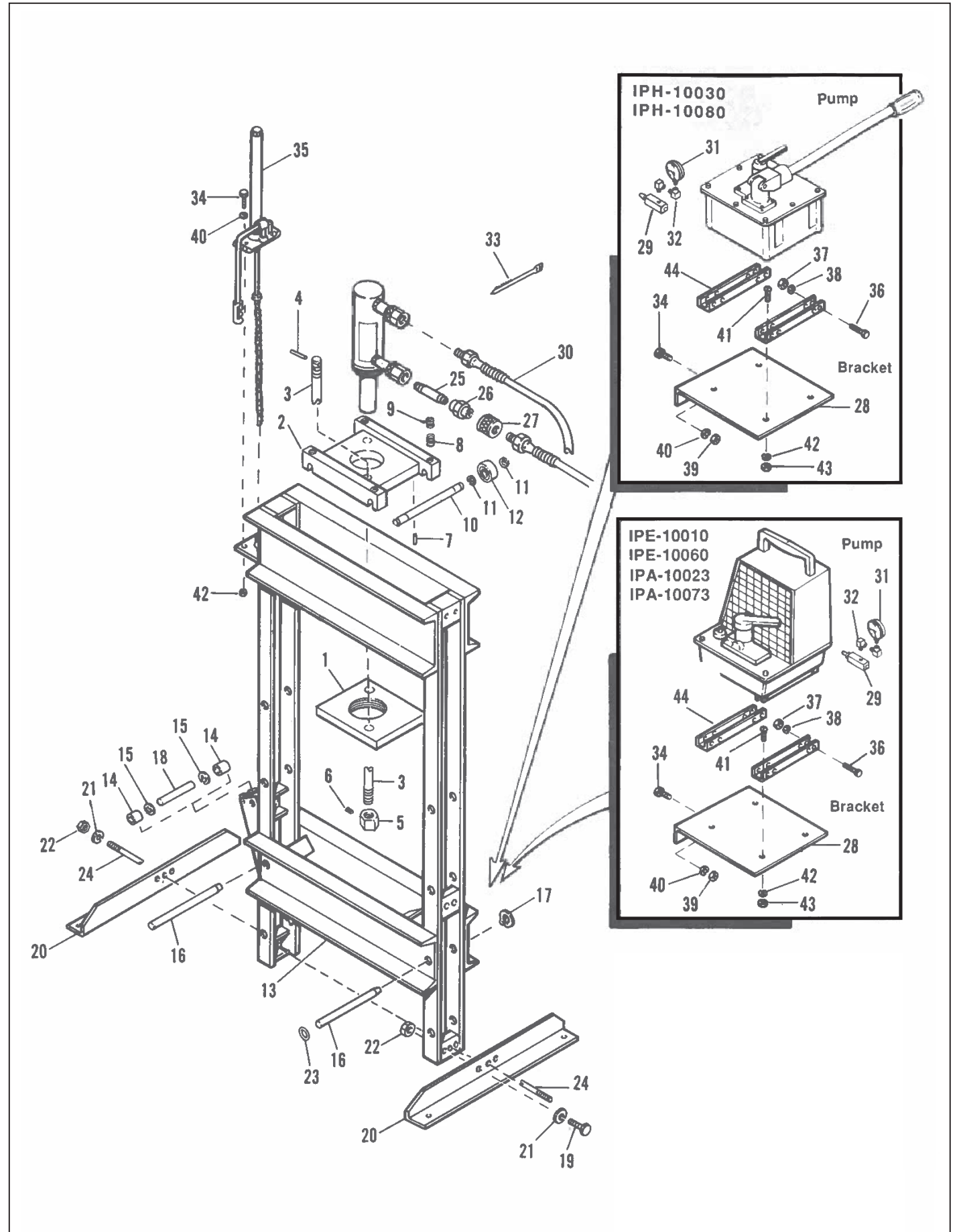
Document Number	Document Revision	Document Revision Date	Product Date Code Beginning With
L1291	A	07/2019	C

To Protect Your Warranty, Use Only ENERPAC Hydraulic Oil.

Enerpac recommends that all kit components be installed to insure optimum performance of the repaired product.

**ACCESSORIES:****V-BLOCKS - - - A-175**

Model	Pump	Cylinder	Jack Assembly	Kit
IPA-10023	ZA4208MX	RC-10010	IPL100	PBK2
IPE-10010	ZE4320SB-N	RC-10010	IPL100	PBK2
IPE-10060	ZE4420SB-N	CU484900-299	IPL100	PBK2
IPA-10073	ZA4408MX	RR-1006	IPL100	PBK2
IPH-10030	P462	RC-10010	IPL100	PBK2
IPH-10080	P464	RR-1006	IPL100	PBK2



Repair Parts List for 100 Ton Presses

Item No.	Part Number			Qty.	Description
	IPE-10010 IPA-10023	IPA-10073 IPE-10060	IPH-10030		
1	CR8.111	CR8.111	CR8.111	1	Bracket, Cylinder
2	CR13.900	CR13.900	CR13.900	1	Support, Upper
3	CR136.149	CR136.149	CR136.149	2	Rod, Tie
4	B1062.057	B1062.057	B1062.057	2	Pin, Straight
5	CN742.550	CN742.550	CN742.550	2	Hex Grip
6	CJ999.028	CJ999.028	CJ999.028	2	Setscrew
7	B1136.057	B1136.057	B1136.057	2	Pin
8	OA3282110	OA3282110	OA3282110	4	Spring
9	A8024.027	A8024.027	A8024.027	4	Lockscrew
10	CR2.104	CR2.104	CR2.104	2	Axle
11	CN725.044	CN725.044	CN725.044	8	Ring, Retaining
12	CN723.107	CN723.107	CN723.107	4	Bearing
13	CA737.900	CA737.900	CA737.900	1	Bolster
14	OA3233281	OA3233281	OA3233281	4	Roller
15	CN725.044	CN725.044	CN725.044	4	Ring, Retaining
16	CR282.061	CR282.061	CR282.061	2	Pin
17	CA731.044	CA731.044	CA731.044	1	Ring, Retaining
18	CR283.061	CR283.061	CR283.061	2	Pin
19	CH940.028	CH940.028	CH940.028	4	Bolt, Leg
20	CA722.630	CA722.630	CA722.630	2	Leg, Frame
21	B1007.066	B1007.066	B1007.066	6	Lockwasher
22	B1013.120	B1013.120	B1013.120	6	Nut, Hex
23	B1135.903	B1135.903	B1135.903	2	O-Ring
24	CN762.149	CN762.149	CN762.149	1	Rod, Leg Support
25	---	---	---	1	Tube Assembly
26	---	---	---	1	Connector, Female
27	---	---	---	1	Connector
28	OC3126111	OC3126111	OC3126111	1	Bracket
29	HP-2344	HP-2344	HP-2344	1	Adapter, Gauge
30	H9306	H9306	H9306	1	Hose Assembly
31	GF-871P	GF-871P	GF-871P	1	Gauge
32	CJ641.291	CJ641.291	CJ641.291	2	Elbow, Street
33	CF378.017	CF378.017	CF378.017	1	Strap
34	CB528.046	CB528.046	CB528.046	2	Capscrew
35	C215.900	C215.900	C215.900	1	Jack Assembly (see Figure 2)
36	B1201.046	B1201.046	B1201.046	2	Bolt
37	B1013.120	B1013.120	B1013.120	2	Nut
38	B1007.066	B1007.066	B1007.066	2	Washer
39	B1001.120	B1001.120	B1001.120	1	Nut
40	B1001.066	B1001.066	B1001.066	2	Washer
41	B1039.046	B1039.046	B1039.046	4	Capscrew
42	B1002.066	B1002.066	B1002.066	4	Washer
43	---	---	B1003.123	4	Nut
44	---	---	CH132.111	2	Bracket

Repair Parts List for C215900 - 1½ Ton Jack			
Item No.	Part Number	Qty.	Description
1	C215900	1	OBS 0800000-Jack Asm. 1-1/2T Ref1428 Bom
2	CH272026	1	Caution Decal
3	DA5255026	1	Blank M/No.decal - Service See Text Note
4	EATS151	0	Pull Jacks CF426.900,C2 15.900,DA1123.900,DA12 59.90
5	REF1428C	0	OBS 0800000-Jack Asm.
6	B1001058	2	Cotter Pin
7	AJ100062	1	Beam Pin
8	REF1676C	0	Beam Pin
9	AJ100063	1	Clevis Pin
10	REF1676C	0	Beam Pin
11	B1091057	1	Spring Pin
12	CL343550	1	Handle Grip
13	CJ301950	1	OBS 0800000-Press Jack 1 1/2 Ton Asm.
14	DA254037	2	Gasket
15	DA255037	2	Gasket
16	K584900	1	Pump Asm.
17	L919885	3	Oil
18	REF4288C	0	OBS 0800000-Jack Asm.
19	AJ100020	2	Gasket
20	DA547062	2	Link
21	AJ100040	1	Valve Spring
22	B1485046	1	OBS 83111-Hex HD Cap Screw
23	AJ100061	1	Fill Plug
24	AJ100074	1	Cylinder
25	B159167	1	Gasket

Repair Parts List for C215900 - 1½ Ton Jack (Continued)			
Item No.	Part Number	Qty.	Description
26	B1003503	1	O-Ring-3/16", 5/16", 1/16", Nbr, 70 Duro
27	B1006016	1	7/32" Dia. Ball
28	B1009016	1	5/16" Dia. Ball Ref S116
29	B1012503	1	O-Ring-5/8", 13/16", NBR, 70 Duro
30	B1014503	1	O-Ring-3/4", 15/16", NBR, 70 Duro
31	B1031562	1	B/U Ring Ref B269562
32	B1091057	1	Spring Pin
33	CCA819057-1A	1	Spring Pin
34	C170055	1	Gland Nut
35	C213167	1	Gasket
36	C644051	1	Piston
37	CR211900	1	Safety Valve Asm. Dwg74 (Service CR211900SR)
38	F438005	1	OBS 0800000-Jack Base Purch Comp
39	F578040	1	Plunger
40	CJ290006	1	Plug
41	DA2508900	1	Rel Valve Asm. Ref1396 Bom
42	B1148057	1	Pin
43	K515030	1	Top Cap
44	K996025	1	Reservoir
45	M761562	1	Back Up
46	S3037	1	Gasket
47	DA3232066	1	Chain
48	M276900	1	Service Only-Handle Asm.
49	CB635026	1	Decal



www.enerpac.com