

**ENERPAC** 

POWERFUL SOLUTIONS. GLOBAL FORCE.

**Repair Parts Sheet**

**Hydra-Lift  
Model IPL-100**

L3098 Rev. A 04/12

For Date Codes Beginning with the Letter "B"

**To Protect Your Warranty, Use Only ENERPAC Hydraulic Oil.**

Enerpac recommends that all kit components be installed to insure optimum performance of the repaired product.

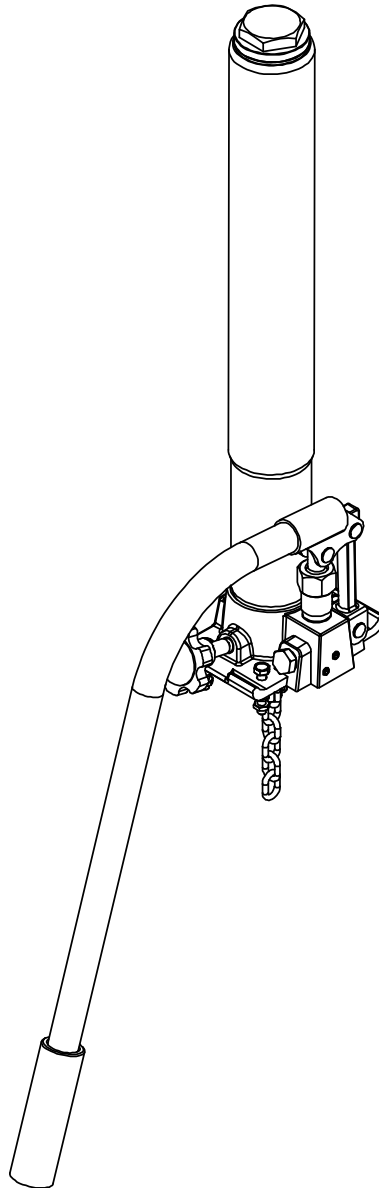
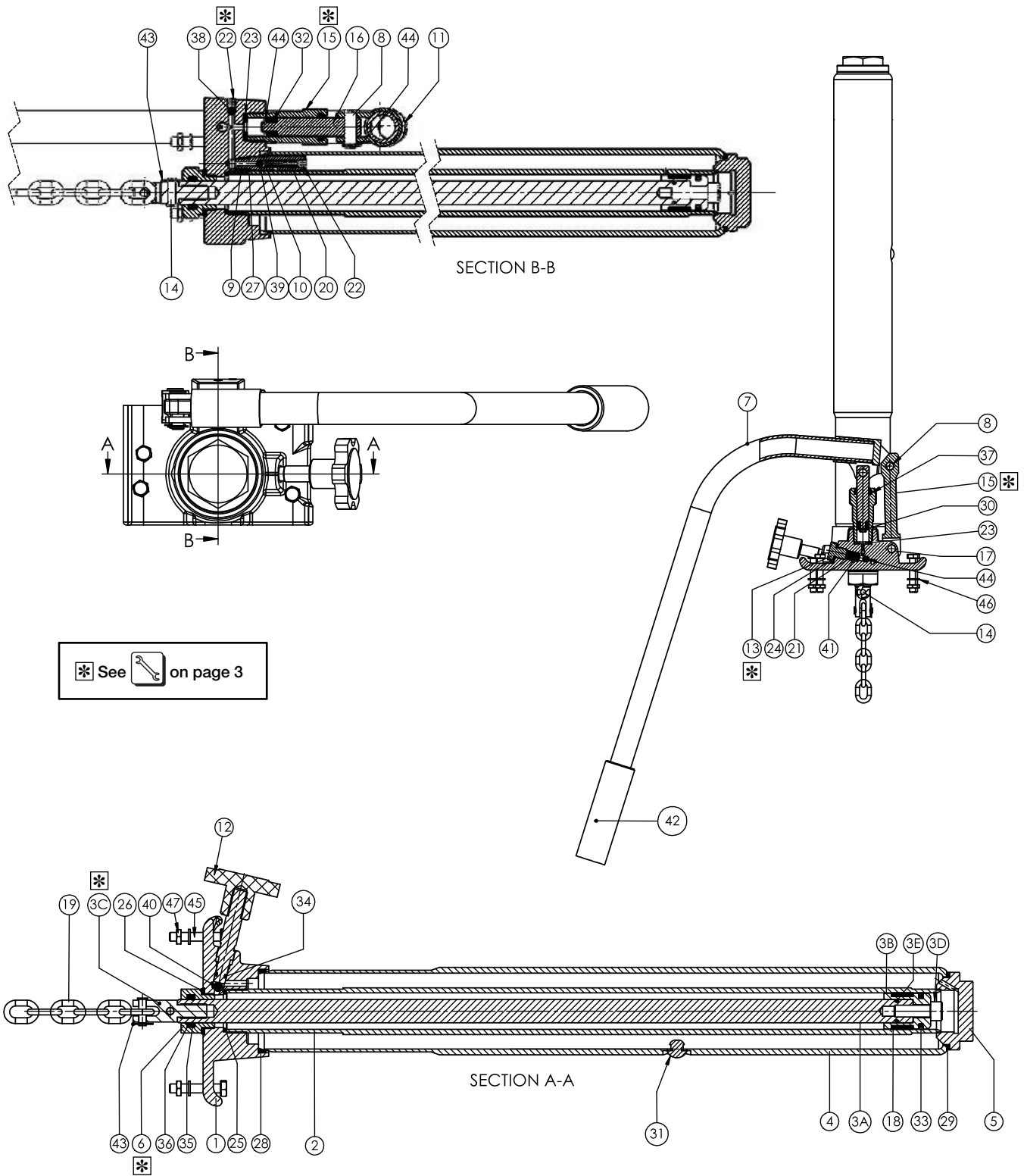


Figure 1 - IPL100 Main Assembly



**Repair Parts List (Refer to Figure 1)**

**L3098**

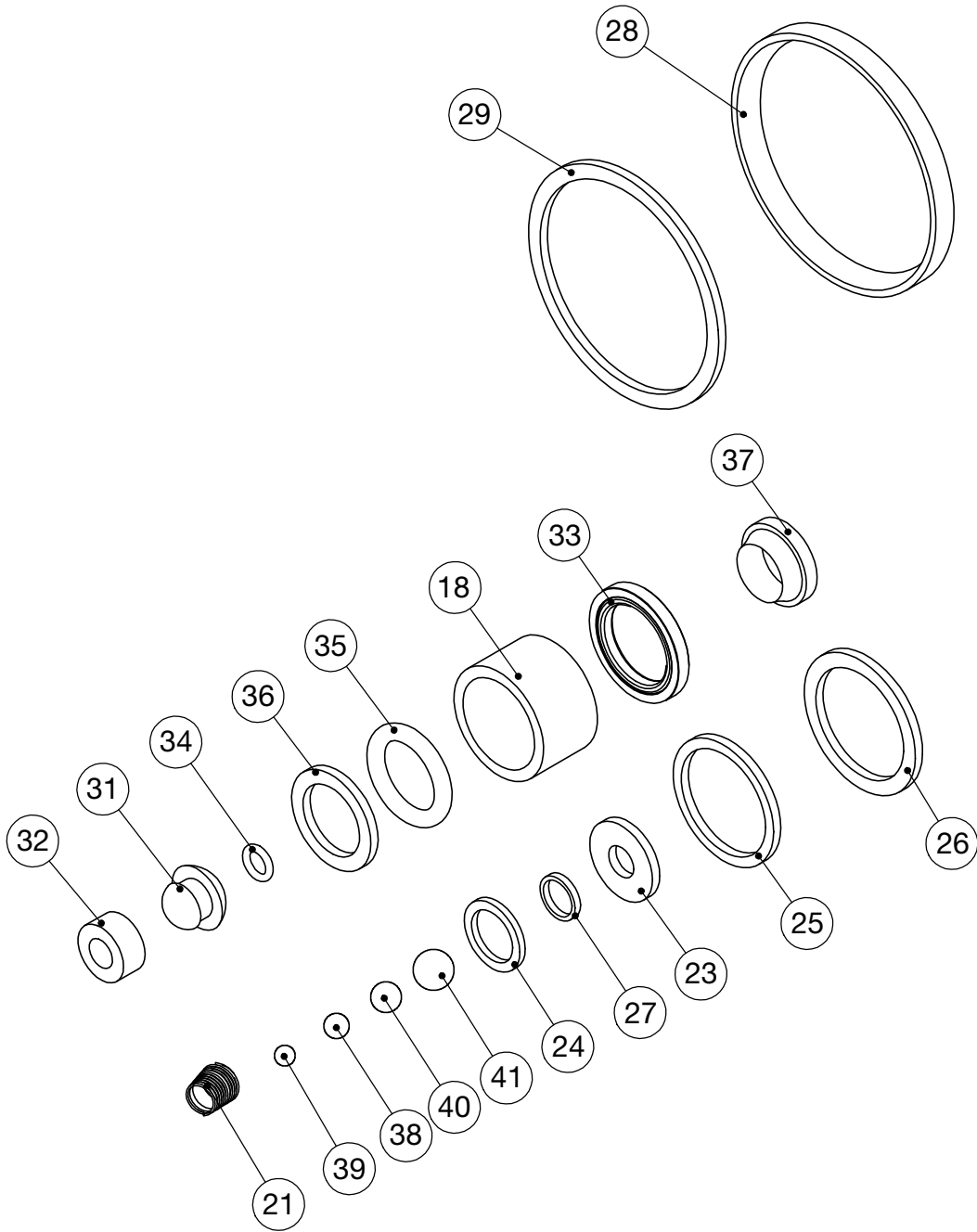
Item	Part Number	Qty.	Description	Item	Part Number	Qty.	Description
1	❖	1	Manifold	23	★	2	Copper Washer (type I)
2	❖	1	Cylinder	24	★	1	Copper Washer (type II)
3A	❖	1	Rod	25	★	1	Copper Washer (type III)
3B	❖	1	Piston	26	★	1	Copper Washer (type IV)
3C	❖	1	Insert	27	★	1	Copper Washer
3D	❖	1	Capscrew	28	★	1	Nylon Washer
3E	❖	1	O-Ring	29	★	1	Nylon Washer
4	❖	1	Reservoir	30	⊕	1	Plunger Washer
5	❖	1	Reservoir Nut	31	★	1	Plug
6	❖	1	Guide Nut	32	★ ⊕	1	Plunger Cap, Packing
7	◆	1	Pump Handle	33	★	1	Piston Seal
8	◆ ⊕	2	Pin	34	★ *	1	O-Ring
9	❖	1	PRV Body	35	★	1	O-Ring
10	*	1	Retainer	36	★	1	Back Up Ring
11	❖	1	Link	37	★ ⊕	1	Wiper Seal
12	*	1	Release Knob	38	★	2	Steel Ball
13	❖	1	Plug	39	★ *	1	Steel Ball
14	❖	2	Pin (type I)	40	★ *	2	Steel Ball
15	❖	1	Plunger Body	41	★	1	Steel Ball
16	⊕	1	Plunger	42	◆	1	Handle Grip
17	❖	1	Pin (type II)	43	❖	2	E-Type Circlip
18	★	1	Guide Tape	44	◆ ⊕	3	E-Type Circlip
19	❖	1	Chain	45	❖	4	Hex Bolt
20	*	1	Spring (for PRV)	46	❖	4	Spring Washer
21	★	1	Spring	47	❖	4	Hex Nut
22	*	3	Grub Screw				

- ★ Included as part of Seal Kit IPL100-SK. See Figure 2 for exploded view.
- \* Included as part of Release Valve Kit IPL100-RHK. See Figure 3 for exploded view.
- ◆ Included as part of Pump Handle Kit IPL100-PHK. See Figure 4 for exploded view.
- ⊕ Included as part of Plunger Assembly Kit IPL100-PLK. See Figure 5 for exploded view.
- \* Included as part of Relief Valve Kit IPL100-RCK. See Figure 6 for exploded view.
- ❖ Part not available for purchase.



⊗ Service Notes		L3098
Item	Torque / notes	
3c	Apply Loctite 242 to threads before assembly.	
6	80 Nm [59 Ft - Lbs.]	
13	30 Nm [22 Ft - Lbs.]	
15	60 Nm [44 Ft - Lbs.]	
22	Apply Loctite 271 to threads before assembly.	

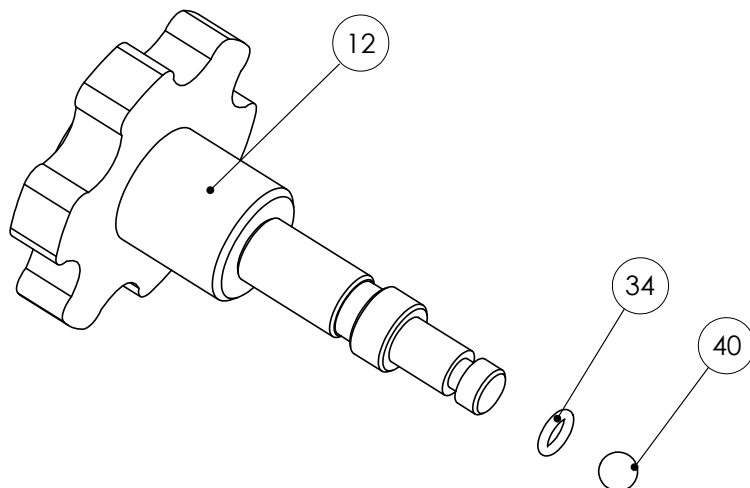
**Figure 2 - IPL100-SK Seal Kit**  
(includes all items marked "★" in parts list on page 3)



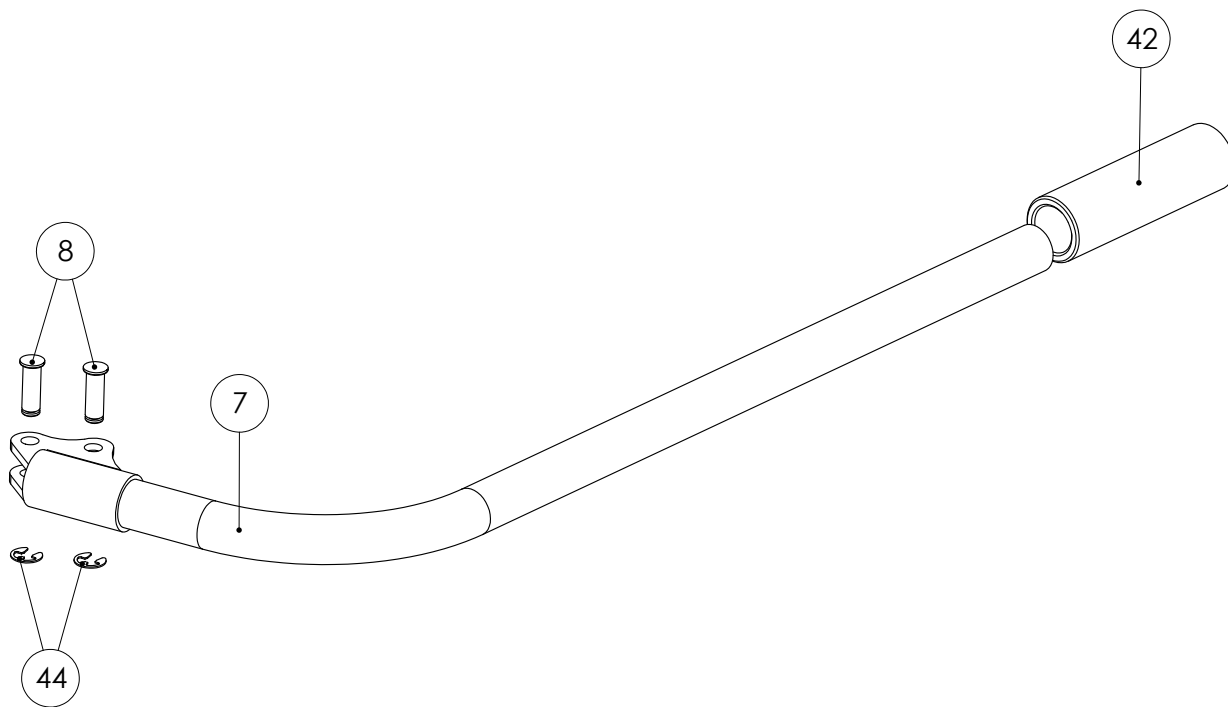
**Note: Refer to Figure 1 for parts list, service notes and assembled views.**

**Enerpac recommends that all kit components be installed to insure optimum performance of the repaired product.**

**Figure 3 - IPL100-RHK Release Valve Kit**  
(includes all items marked “\*” in parts list on page 3)



**Figure 4 - IPL100-PHK Pump Handle Kit**  
(includes all items marked “◆” in parts list on page 3)



**Note: Refer to Figure 1 for parts list, service notes and assembled views.**

Enerpac recommends that all kit components be installed to insure optimum performance of the repaired product.

Figure 5 - IPL100-PLK Plunger Assembly Kit  
(includes all items marked "✦" in parts list on page 3)

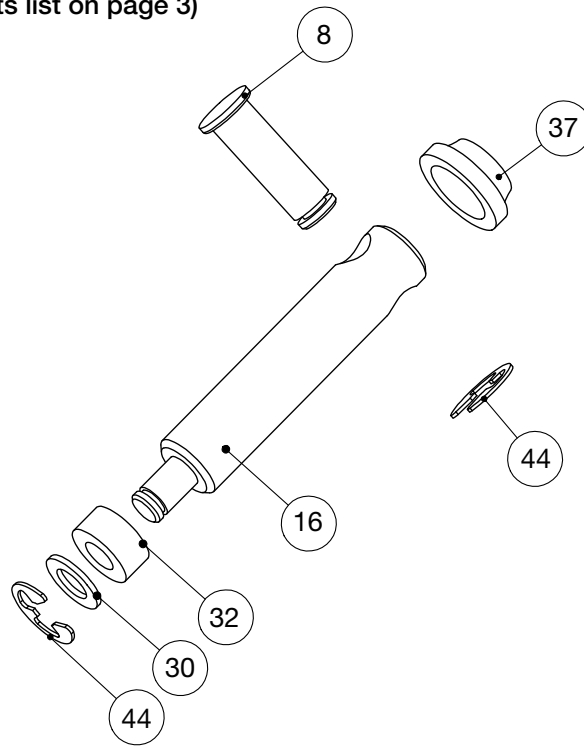
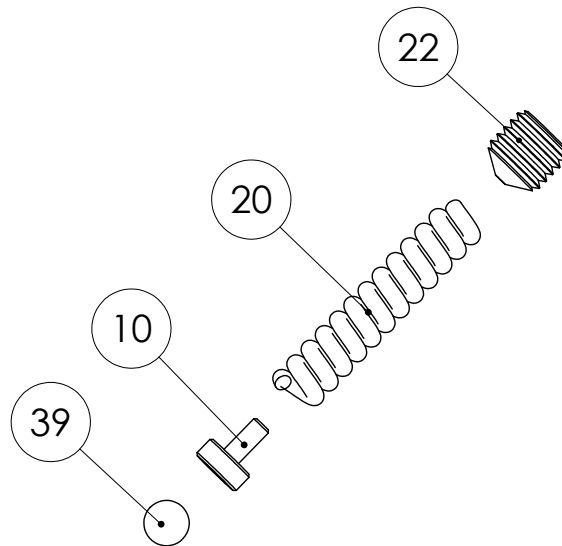


Figure 6 - IPL100-RCK Relief Valve Kit  
(includes all items marked "✦" in parts list on page 3)



**Note: Refer to Figure 1 for parts list, service notes and assembled views.**

Enerpac recommends that all kit components be installed to insure optimum performance of the repaired product.

# NOTES:

A large rectangular box with a thin black border, containing 20 horizontal lines for writing notes. The lines are evenly spaced and extend across the width of the box.

## Enerpac Worldwide Locations

◆ e-mail: [info@enerpac.com](mailto:info@enerpac.com)

◆ internet: [www.enerpac.com](http://www.enerpac.com)

### Australia and New Zealand

Actuant Australia Ltd.  
Block V Unit 3  
Regents Park Estate  
391 Park Road  
Regents Park NSW 2143  
(P.O. Box 261) Australia  
T +61 (0)2 9743 8988  
F +61 (0)2 9743 8648  
[sales-au@enerpac.com](mailto:sales-au@enerpac.com)

### Brazil

Power Packer do Brasil Ltda.  
Rua dos Inocentes, 587  
04764-050 - Sao Paulo (SP)  
T +55 11 5687 2211  
F +55 11 5686 5583  
Toll Free: 0800 891 5770  
[vendasbrasil@enerpac.com](mailto:vendasbrasil@enerpac.com)

### Canada

Actuant Canada Corporation  
6615 Ordan Drive, Unit 14-15  
Mississauga, Ontario L5T 1X2  
T +1 905 564 5749  
F +1 905 564 0305  
Toll Free:  
T +1 800 268 4987  
F +1 800 461 2456  
[customer.service@actuant.com](mailto:customer.service@actuant.com)

### China

Actuant (China) Industries Co. Ltd.  
No. 6 Nanjing East Road,  
Taicang Economic Dep Zone  
Jiangsu, China  
T +86 0512 5328 7500  
F +86 0512 5335 9690  
Toll Free: +86 400 885 0369  
[sales-cn@enerpac.com](mailto:sales-cn@enerpac.com)

### France, Switzerland, North Africa and French speaking African countries

ENERPAC  
Une division d'ACTUANT France S.A.  
ZA de Courtaboeuf  
32, avenue de la Baltique  
91140 VILLEBON /YVETTE  
France  
T +33 1 60 13 68 68  
F +33 1 69 20 37 50  
[sales-fr@enerpac.com](mailto:sales-fr@enerpac.com)

### Germany and Austria

ENERPAC GmbH  
P.O. Box 300113  
D-40401 Düsseldorf  
Willstätterstrasse 13  
D-40549 Düsseldorf, Germany  
T +49 211 471 490  
F +49 211 471 49 28  
[sales-de@enerpac.com](mailto:sales-de@enerpac.com)

### India

ENERPAC Hydraulics Pvt. Ltd.  
No. 1A, Peenya Industrial Area  
IInd Phase, Bangalore, 560 058, India  
T +91 80 40 792 777  
F +91 80 40 792 792  
[sales-in@enerpac.com](mailto:sales-in@enerpac.com)

### Italy

ENERPAC S.p.A.  
Via Canova 4  
20094 Corsico (Milano)  
T +39 02 4861 111  
F +39 02 4860 1288  
[sales-it@enerpac.com](mailto:sales-it@enerpac.com)

### Japan

Applied Power Japan LTD KK  
Besshocho 85-7  
Kita-ku, Saitama-shi 331-0821, Japan  
T +81 48 662 4911  
F +81 48 662 4955  
[sales-jp@enerpac.com](mailto:sales-jp@enerpac.com)

### Middle East, Egypt and Libya

ENERPAC Middle East FZE  
Office 423, LOB 15  
P.O. Box 18004, Jebel Ali, Dubai  
United Arab Emirates  
T +971 (0)4 8872686  
F +971 (0)4 8872687  
[sales-ua@enerpac.com](mailto:sales-ua@enerpac.com)

### Russia

Rep. office Enerpac  
Russian Federation  
Admirala Makarova Street 8  
125212 Moscow, Russia  
T +7 495 98090 91  
F +7 495 98090 92  
[sales-ru@enerpac.com](mailto:sales-ru@enerpac.com)

### Singapore

Actuant Asia Pte Ltd.  
83 Joo Koon Circle  
Singapore 629109  
T +65 68 63 0611  
F +65 64 84 5669  
Toll Free: +1800 363 7722  
[sales-sg@enerpac.com](mailto:sales-sg@enerpac.com)

### South Korea

Actuant Korea Ltd.  
3Ba 717, Shihwa Industrial Complex  
Jungwang-Dong, Shihung-Shi,  
Kyunggi-Do  
Republic of Korea 429-450  
T +82 31 434 4506  
F +82 31 434 4507  
[sales-kr@enerpac.com](mailto:sales-kr@enerpac.com)

### Spain and Portugal

ENERPAC SPAIN, S.L.  
Avda. Los Frailes, 40 – Nave C & D  
Pol. Ind. Los Frailes  
28814 Daganzo de Arriba  
(Madrid) Spain  
T +34 91 884 86 06  
F +34 91 884 86 11  
[sales-es@enerpac.com](mailto:sales-es@enerpac.com)

### Sweden, Denmark, Norway, Finland and Iceland

Enerpac Scandinavia AB  
Fabriksgatan 7  
412 50 Gothenburg  
Sweden  
T +46 (0) 31 799 0281  
F +46 (0) 31 799 0010  
[scandinavianinquiries@enerpac.com](mailto:scandinavianinquiries@enerpac.com)

### The Netherlands, Belgium, Luxembourg, Central and Eastern Europe, Baltic States, Greece, Turkey and CIS countries

ENERPAC B.V.  
Galvanistraat 115  
6716 AE Ede  
P.O. Box 8097  
6710 AB Ede  
The Netherlands  
T +31 318 535 911  
F +31 318 535 848  
[sales-nl@enerpac.com](mailto:sales-nl@enerpac.com)

### Enerpac Integrated Solutions B.V.

Opaalstraat 44  
7554 TS Hengelo  
P.O. Box 421  
7550 AK Hengelo  
The Netherlands  
T +31 74 242 20 45  
F +31 74 243 03 38  
[integratedsolutions@enerpac.com](mailto:integratedsolutions@enerpac.com)

### South Africa and other English speaking African countries

Enerpac Africa Pty Ltd.  
No. 5 Bauhinia Avenue  
Cambridge Office Park  
Block E  
Highveld Techno Park  
Centurion 0157  
South Africa  
T: +27 12 940 0656

### United Kingdom and Ireland

ENERPAC Ltd.,  
Bentley Road South  
Darlaston, West Midlands  
WS10 8LQ  
England  
T +44 (0)121 50 50 787  
F +44 (0)121 50 50 799  
[sales-uk@enerpac.com](mailto:sales-uk@enerpac.com)

### USA, Latin America and Caribbean

ENERPAC  
P.O. Box 3241  
Milwaukee WI 53201 USA  
T +1 262 293 1600  
F +1 262 293 7036  
User inquiries:  
T +1 800 433 2766  
Distributor inquiries/orders:  
T +1 800 558 0530  
F +1 800 628 0490  
Technical inquiries:  
[techservices@enerpac.com](mailto:techservices@enerpac.com)  
[sales-us@enerpac.com](mailto:sales-us@enerpac.com)

All Enerpac products are guaranteed  
against defects in workmanship and  
materials for as long as you own them.

For the location of your nearest authorized  
Enerpac Service Center, visit us at  
[www.enerpac.com](http://www.enerpac.com)

101711