

ENERPAC



POWERFUL SOLUTIONS. GLOBAL FORCE.

Repair Parts Sheet

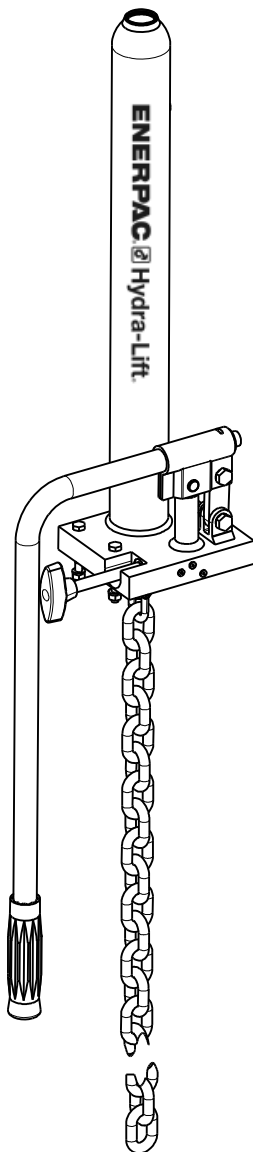
Hydra-Lift®
Models IPL-100 and IPL-101

L4066 Rev. A 03/13

For Date Codes Beginning with the Letter "C"

To Protect Your Warranty, Use Only ENERPAC Hydraulic Oil.

Enerpac recommends that all kit components be installed to insure optimum performance of the repaired product.



WARNING: Be certain that load has been removed from Hydra-Lift® before beginning any maintenance or repairs. Appropriate safety procedures are to be followed during disassembly and reassembly to minimize any possibility of injury.

Figure 1A - Main Assembly

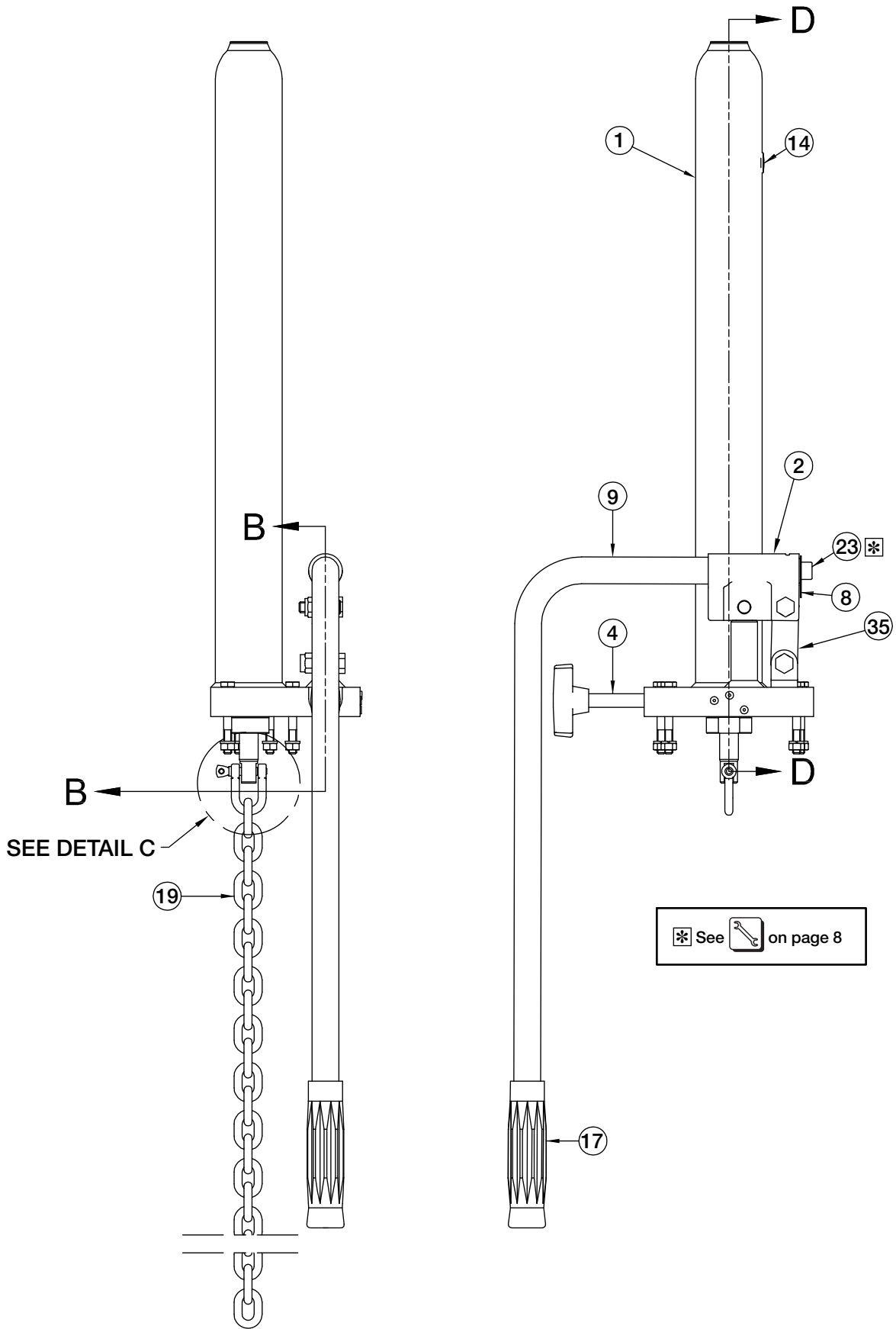
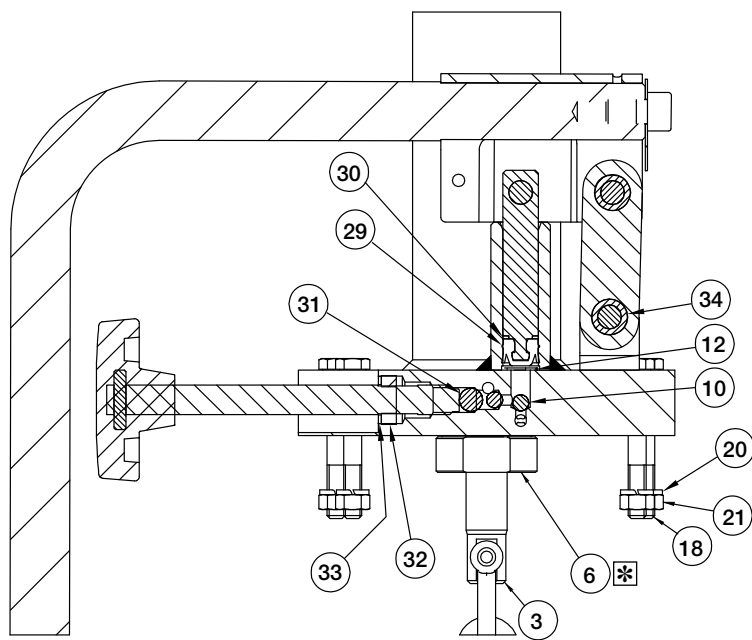
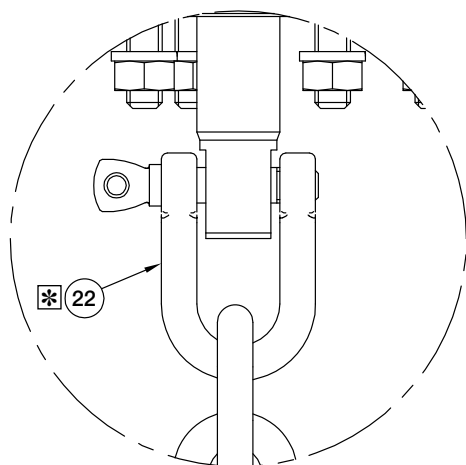


Figure 1B - Main Assembly



SECTION B-B

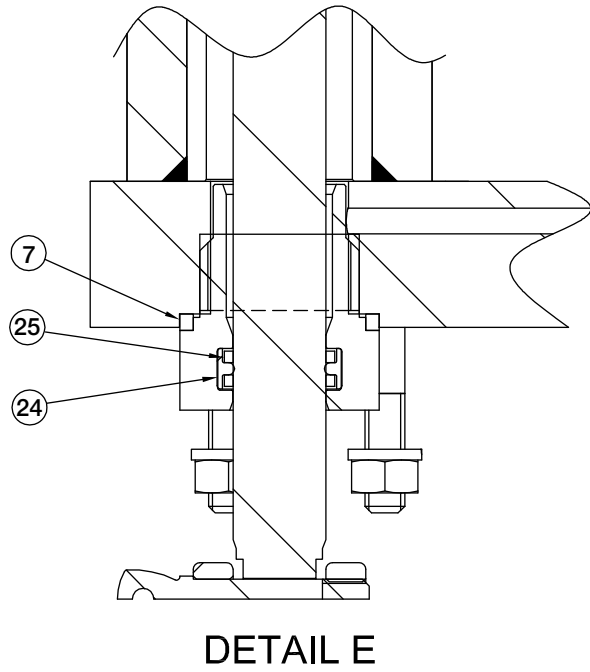
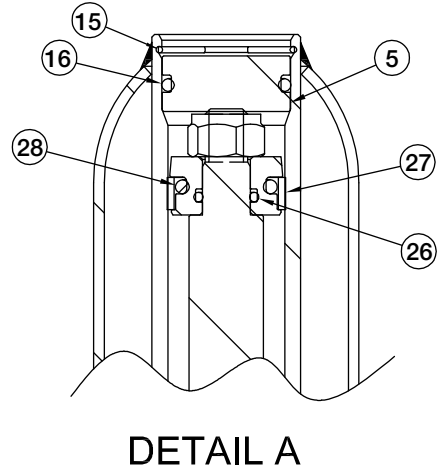
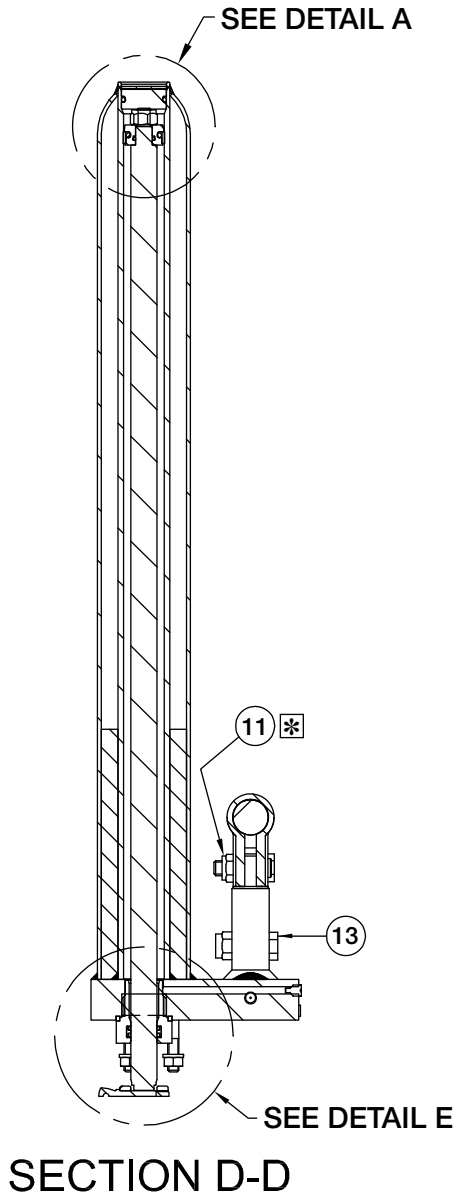


DETAIL C

* See  on page 8

Figure 1C - Main Assembly

✱ See  on page 8



Repair Parts List (Refer to Figures 1A, 1B and 1C)

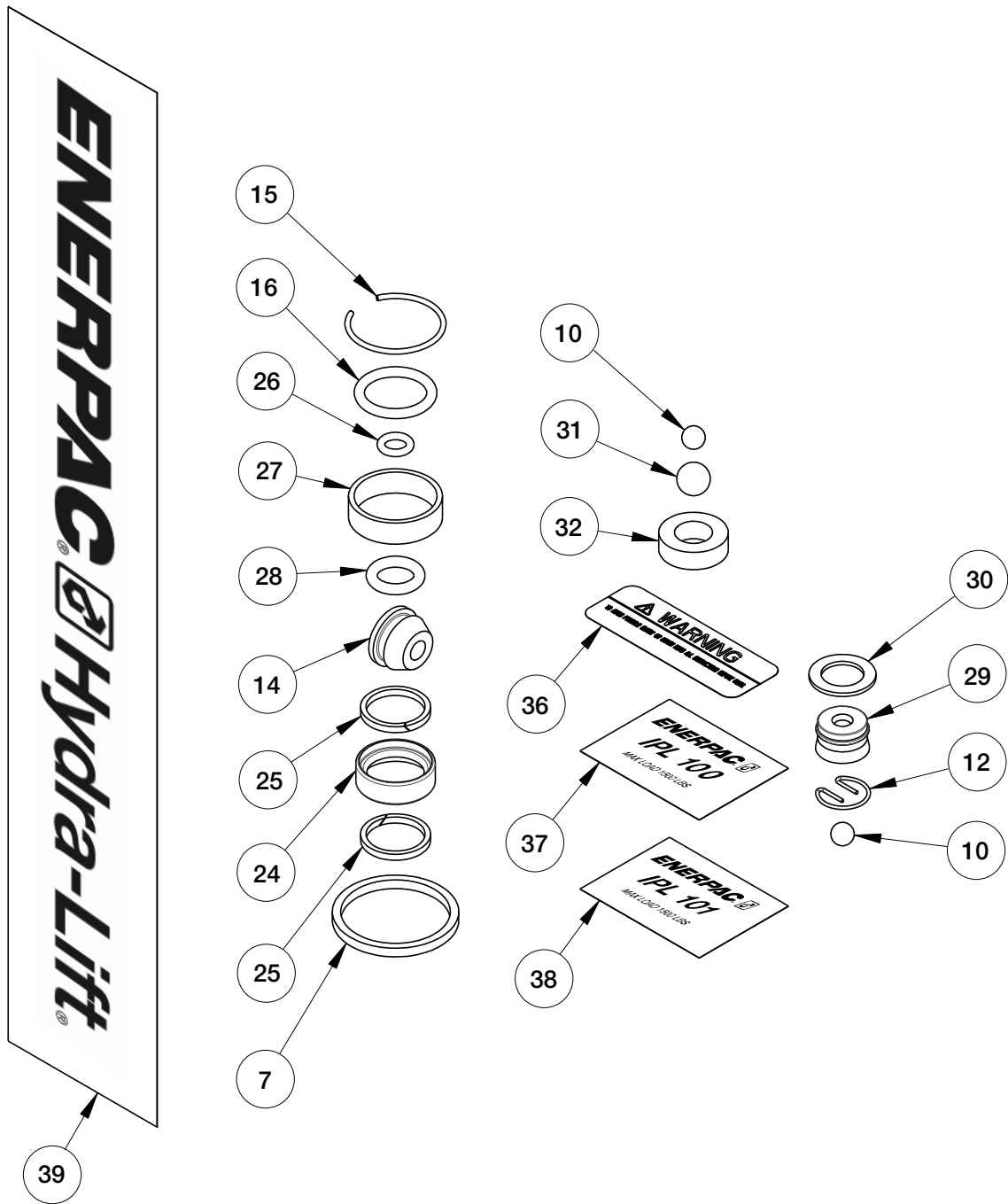
L4066

Item	Included in Kit	Qty.		Description
		Model IPL-100	Model IPL-101	
1	❖	1	1	Base and Tube
2	❖	1	1	Plunger and Handle Assy
3	❖	1	1	Rod Assembly
4	*	1	1	Release Handle
5	❖	1	1	Top Cover
6	❖	1	1	Rod Nut, M24.0 x 2.0
7	*	1	1	Copper Washer
8	❖	1	1	Handle Washer
9	❖	1	1	Handle
10	* * ❖	2	2	Ball, 5.55 dia.
11	❖	2	2	Nut, Self Locking, M8.0 x 1.25
12	* ❖	1	1	Intake Ball Retainer Clip
13	❖	2	2	Screw, M8 x 1.25 x 27.0
14	* ♦	1	1	Fill Plug
15	*	1	1	Retaining Ring
16	*	1	1	O-Ring
17	❖	1	1	Grip
18	❖	4	4	Screw, M6.0 x 1.0 x 50.0
19	❖	1	-	Chain, 98.3 cm long
	❖	-	1	Chain, 140 cm long
20	❖	4	4	Washer, M6.0
21	❖	4	4	Nut, M6.0 x 1.0
22	❖	1	1	Chain Shackle, M6.0 x 1.0 internal thread
23	❖	1	1	Screw, M8.0 x 1.25 x 14.0
24	*	1	1	Pump Seal
25	*	2	2	Backup Ring
26	*	1	1	O-Ring
27	*	1	1	Guide Washer
28	*	1	1	O-Ring
29	* ❖	1	1	Plunger Seal
30	* ❖	1	1	Backup Ring
31	* *	1	1	Ball, 7.94 Diameter
32	* *	1	1	Release Handle Seal
33	*	1	1	Washer
34	❖	1	1	Bushing
35	❖	1	1	Link
36	*	1	1	Decal, Warning
37	*	1	-	Decal IPL-100
38	*	-	1	Decal, IPL-101
39	*	1	1	Decal, Enerpac Hydra-Lift®

- * Included as part of Seal Kit IPL100-SEAK. See Figure 2 for exploded view.
- * Included as part of Release Valve Kit IPL100-RELK. See Figure 3 for exploded view.
- ❖ Included as part of Plunger Assembly Kit IPL100-PLUK. See Figure 4 for exploded view.
- ♦ Included as part of Oil Filler Plug IPL100-FILK. See Figure 5 for exploded view.
- ❖ Part not available for purchase.

Figure 2 - IPL100-SEAK Seal Kit

- Includes all items marked “★” in parts list on page 5.
- Used on Models IPL-100 and IPL-101.



Note: Refer to figures 1A, 1B and 1C for assembled views. See page 5 for parts list.
Enerpac recommends that all kit components be installed to insure optimum performance of the repaired product.

Figure 3 - IPL100-RELK Release Valve Kit

- Includes all items marked “*” in parts list on page 5.
- Used on Models IPL-100 and IPL-101.

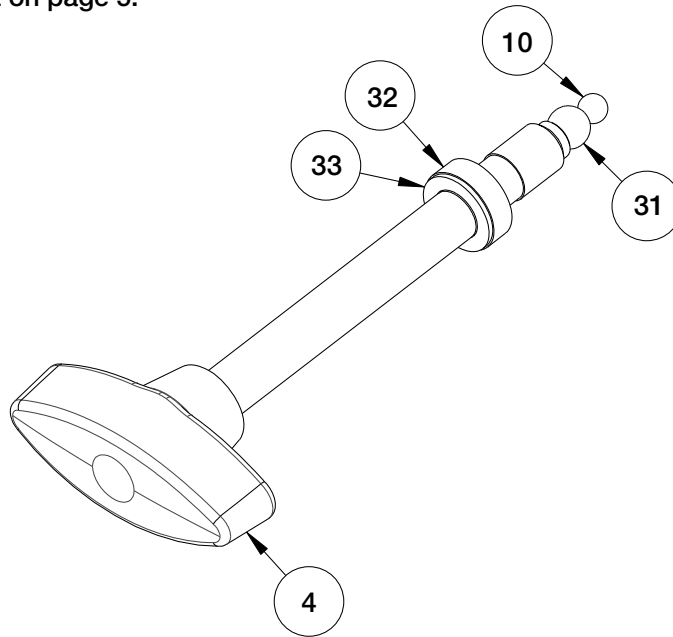


Figure 4 - IPL100-PLUK Plunger Assembly Kit

- Includes all items marked “+” in parts list on page 5.
- Used on Models IPL-100 and IPL-101.

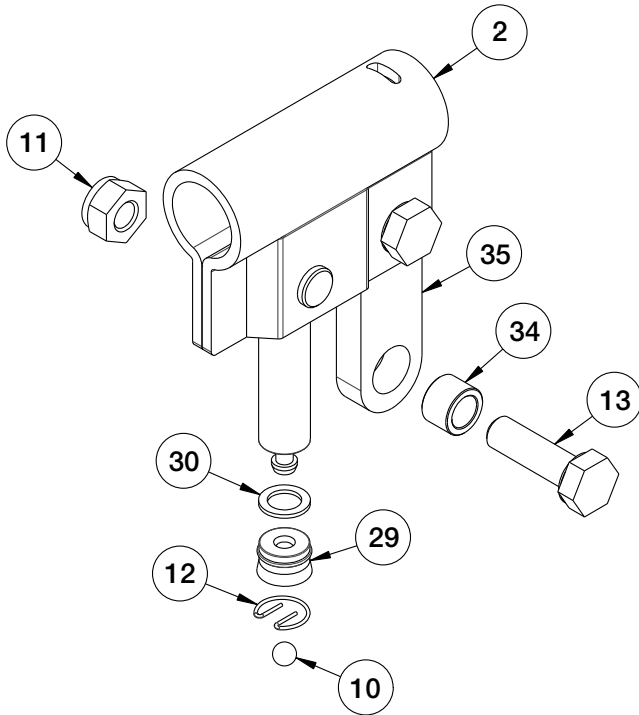
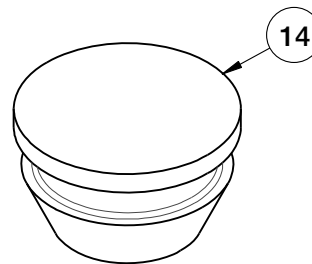


Figure 5 - IPL100-FILK Oil Fill Plug Kit

- Includes all items marked “♦” in parts list on page 5.
- Used on Models IPL-100 and IPL-101.



Note: Refer to figures 1A, 1B and 1C for assembled views. See page 5 for parts list.

Enerpac recommends that all kit components be installed to insure optimum performance of the repaired product.



		* Service Notes	L4066
Fig.	Item	Torque / notes	
1A	23	Torque to 9 Nm [6.6 Ft - Lbs.]	
1B	6	Apply Loctite 542 or Equivalent.	
1B	6	Torque to 200 Nm [147.5 Ft - Lbs.]	
1B	22	Torque to 4 Nm [2.95 Ft - Lbs.]	
1C	11	Torque to 40 Nm [29.5 Ft - Lbs.]	

Enerpac Worldwide Locations

◆ e-mail: info@enerpac.com

◆ internet: www.enerpac.com

Australia and New Zealand

Actuant Australia Ltd.
Block V Unit 3
Regents Park Estate
391 Park Road
Regents Park NSW 2143
(P.O. Box 261) Australia
T +61 (0)2 9743 8988
F +61 (0)2 9743 8648
sales-au@enerpac.com

Brazil

Power Packer do Brasil Ltda.
Rua Luiz Lawrie Reid, 548
09930-760 - Diadema (SP)
T +55 11 5687 2211
F +55 11 5686 5583
Toll Free: 0800 891 5770
vendasbrasil@enerpac.com

Canada

Actuant Canada Corporation
6615 Ordan Drive, Unit 14-15
Mississauga, Ontario L5T 1X2
T +1 905 564 5749
F +1 905 564 0305
Toll Free:
T +1 800 268 4987
F +1 800 461 2456
customer.service@actuant.com

China

Actuant (China) Industries Co. Ltd.
No.6 Nanjing East Road,
Taicang Economic Dep Zone
Jiangsu, China
T +86 0512 5328 7500
F +86 0512 5335 9690
Toll Free: +86 400 885 0369
sales-cn@enerpac.com

France, Switzerland, North Africa and French speaking African countries

ENERPAC
Une division d'ACTUANT France S.A.
ZA de Courtaboeuf
32, avenue de la Baltique
91140 VILLEBON /YVETTE
France
T +33 1 60 13 68 68
F +33 1 69 20 37 50
sales-fr@enerpac.com

Germany and Austria

ENERPAC GmbH
P.O. Box 300113
D-40401 Düsseldorf
Willstätterstrasse 13
D-40549 Düsseldorf, Germany
T +49 211 471 490
F +49 211 471 49 28
sales-de@enerpac.com

India

ENERPAC Hydraulics Pvt. Ltd.
No. 1A, Peenya Industrial Area
IInd Phase, Bangalore, 560 058, India
T +91 80 40 792 777
F +91 80 40 792 792
sales-in@enerpac.com

Italy

ENERPAC S.p.A.
Via Canova 4
20094 Corsico (Milano)
T +39 02 4861 111
F +39 02 4860 1288
sales-it@enerpac.com

Japan

Applied Power Japan LTD KK
Besshocho 85-7
Kita-ku, Saitama-shi 331-0821, Japan
T +81 48 662 4911
F +81 48 662 4955
sales-jp@enerpac.com

Middle East, Egypt and Libya

ENERPAC Middle East FZE
Office 423, LOB 15
P.O. Box 18004, Jebel Ali, Dubai
United Arab Emirates
T +971 (0)4 8872686
F +971 (0)4 8872687
sales-ua@enerpac.com

Russia

Rep. office Enerpac
Russian Federation
Admiral Makarova Street 8
125212 Moscow, Russia
T +7 495 98090 91
F +7 495 98090 92
sales-ru@enerpac.com

Southeast Asia, Hong Kong and Taiwan

Actuant Asia Pte Ltd.
83 Joo Koon Circle
Singapore 629109
T +65 68 63 0611
F +65 64 84 5669
Toll Free: +1800 363 7722
sales-sg@enerpac.com

South Korea

Actuant Korea Ltd.
3Ba 717, Shihwa Industrial Complex
Jungwang-Dong, Shihung-Shi,
Kyunggi-Do
Republic of Korea 429-450
T +82 31 434 4506
F +82 31 434 4507
sales-kr@enerpac.com

Spain and Portugal

ENERPAC SPAIN, S.L.
Avda. Los Frailes, 40 – Nave C & D
Pol. Ind. Los Frailes
28814 Daganzo de Arriba
(Madrid) Spain
T +34 91 884 86 06
F +34 91 884 86 11
sales-es@enerpac.com

Sweden, Denmark, Norway, Finland and Iceland

Enerpac Scandinavia AB
Fabriksgatan 7
412 50 Gothenburg
Sweden
T +46 (0) 31 799 0281
F +46 (0) 31 799 0010
scandinavianinquiries@enerpac.com

The Netherlands, Belgium, Luxembourg, Central and Eastern Europe, Baltic States, Greece, Turkey and CIS countries

ENERPAC B.V.
Galvanistraat 115
6716 AE Ede
P.O. Box 8097
6710 AB Ede
The Netherlands
T +31 318 535 911
F +31 318 535 848
sales-nl@enerpac.com

Enerpac Integrated Solutions B.V.

Opaalstraat 44
7554 TS Hengelo
P.O. Box 421
7550 AK Hengelo
The Netherlands
T +31 74 242 20 45
F +31 74 243 03 38
integratedsolutions@enerpac.com

South Africa and other English speaking African countries

Enerpac Africa Pty Ltd.
No. 5 Bauhinia Avenue
Cambridge Office Park
Block E
Highveld Techno Park
Centurion 0157
South Africa
T: +27 12 940 0656

United Kingdom and Ireland

ENERPAC Ltd.,
Bentley Road South
Darlaston, West Midlands
WS10 8LQ
England
T +44 (0)121 50 50 787
F +44 (0)121 50 50 799
sales-uk@enerpac.com

USA, Latin America and Caribbean

ENERPAC
P.O. Box 3241
Milwaukee WI 53201 USA
T +1 262 293 1600
F +1 262 293 7036
User inquiries:
T +1 800 433 2766
Distributor inquiries/orders:
T +1 800 558 0530
F +1 800 628 0490
Technical inquiries:
techservices@enerpac.com
sales-us@enerpac.com

All Enerpac products are guaranteed
against defects in workmanship and
materials for as long as you own them.

For the location of your nearest authorized
Enerpac Service Center, visit us at
www.enerpac.com

012313