

L-2076
REV O
01/97
PC-2076

DATE CODES THAT BEGIN WITH THE LETTER "B".

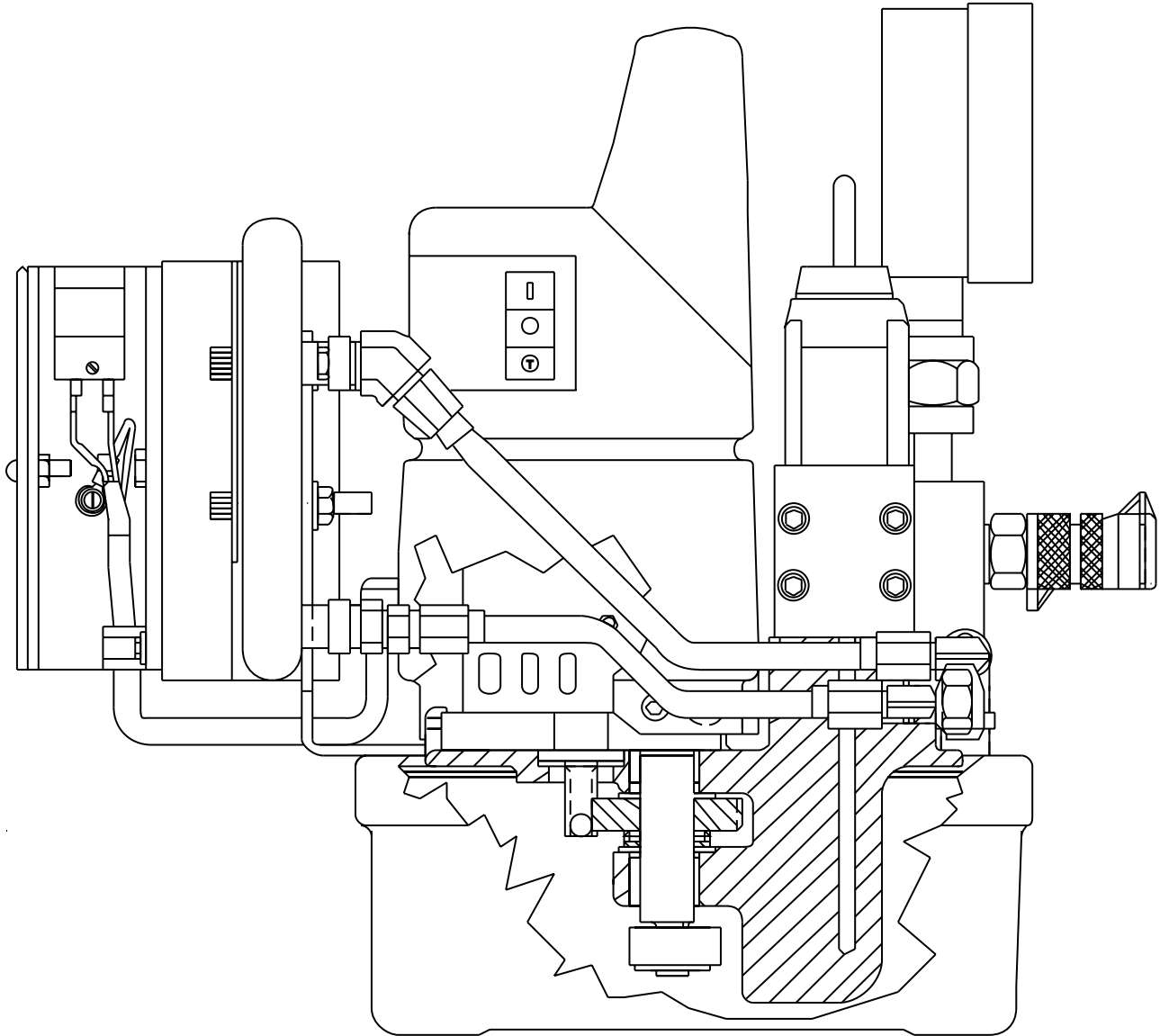
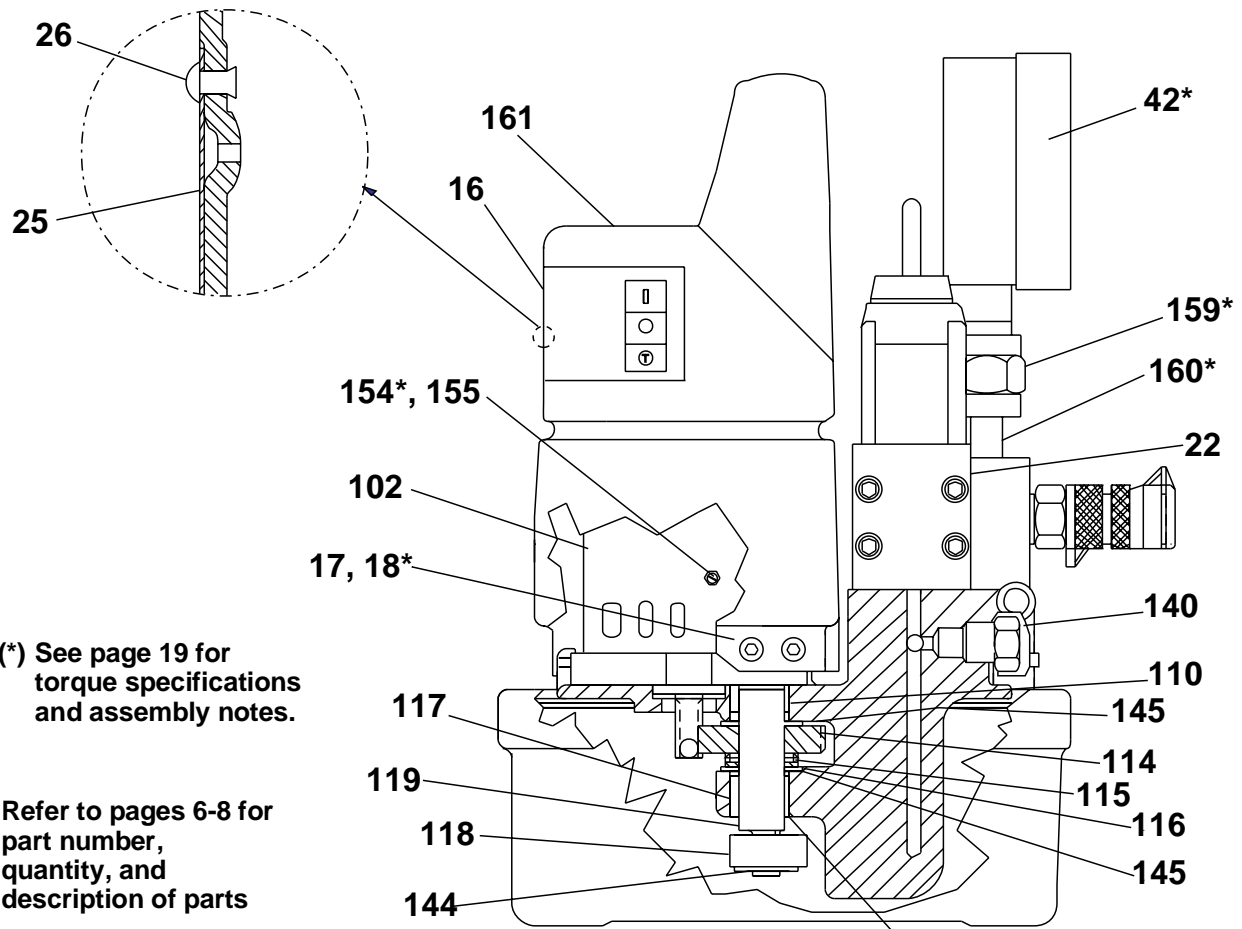


Figure 1.1: Pump Side View



(*) See page 19 for torque specifications and assembly notes.

Refer to pages 6-8 for part number, quantity, and description of parts

See Note 1, page 15

Figure 1.3: Side View (Heat Exchanger Not Shown)

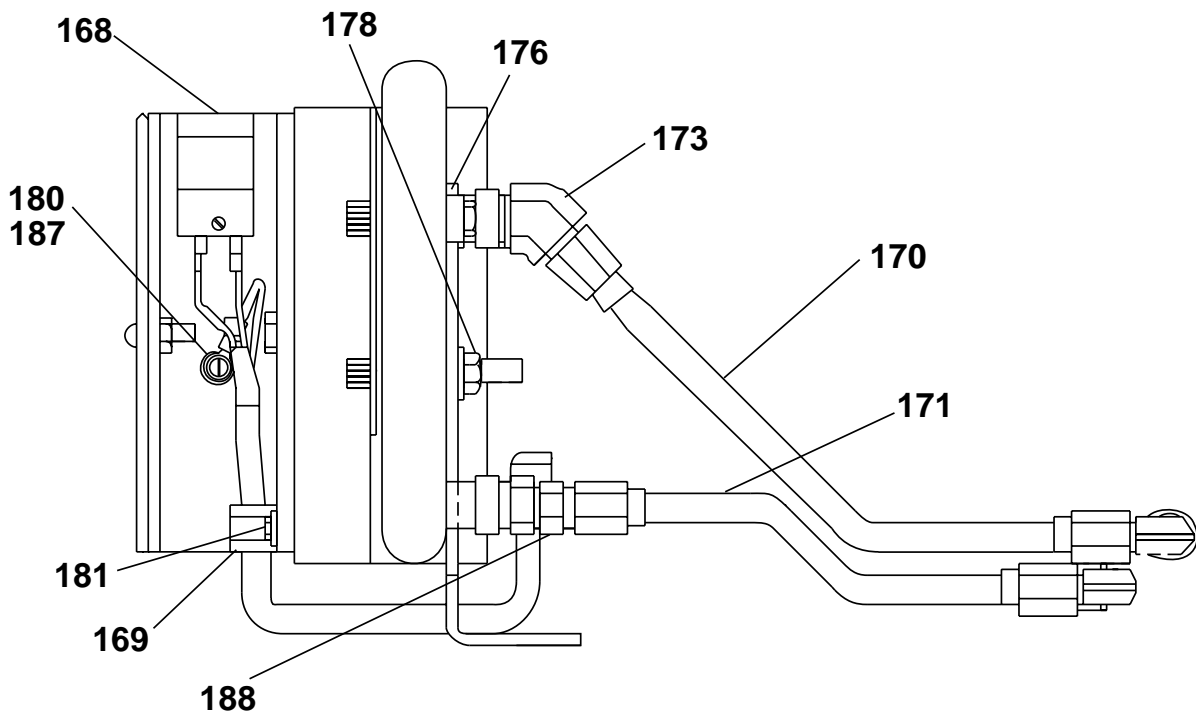


Figure 1.2: Heat Exchanger

(*) See page 19 for torque specifications and assembly notes.

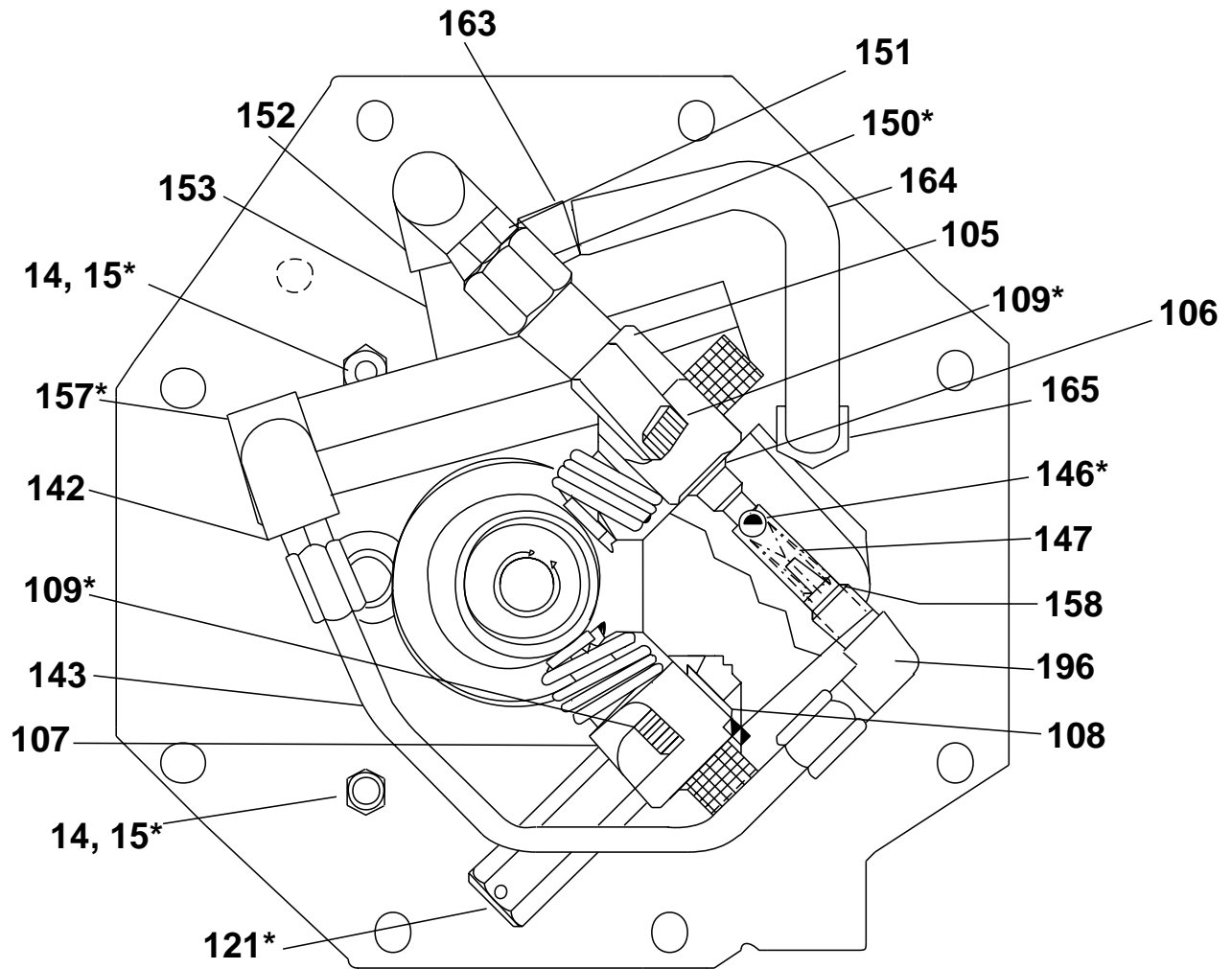


Figure 1.4: Bottom View

Refer to pages 6-8 for part number, quantity, and description of parts pictured on this page.

(*) See page 19 for torque specifications and assembly notes.

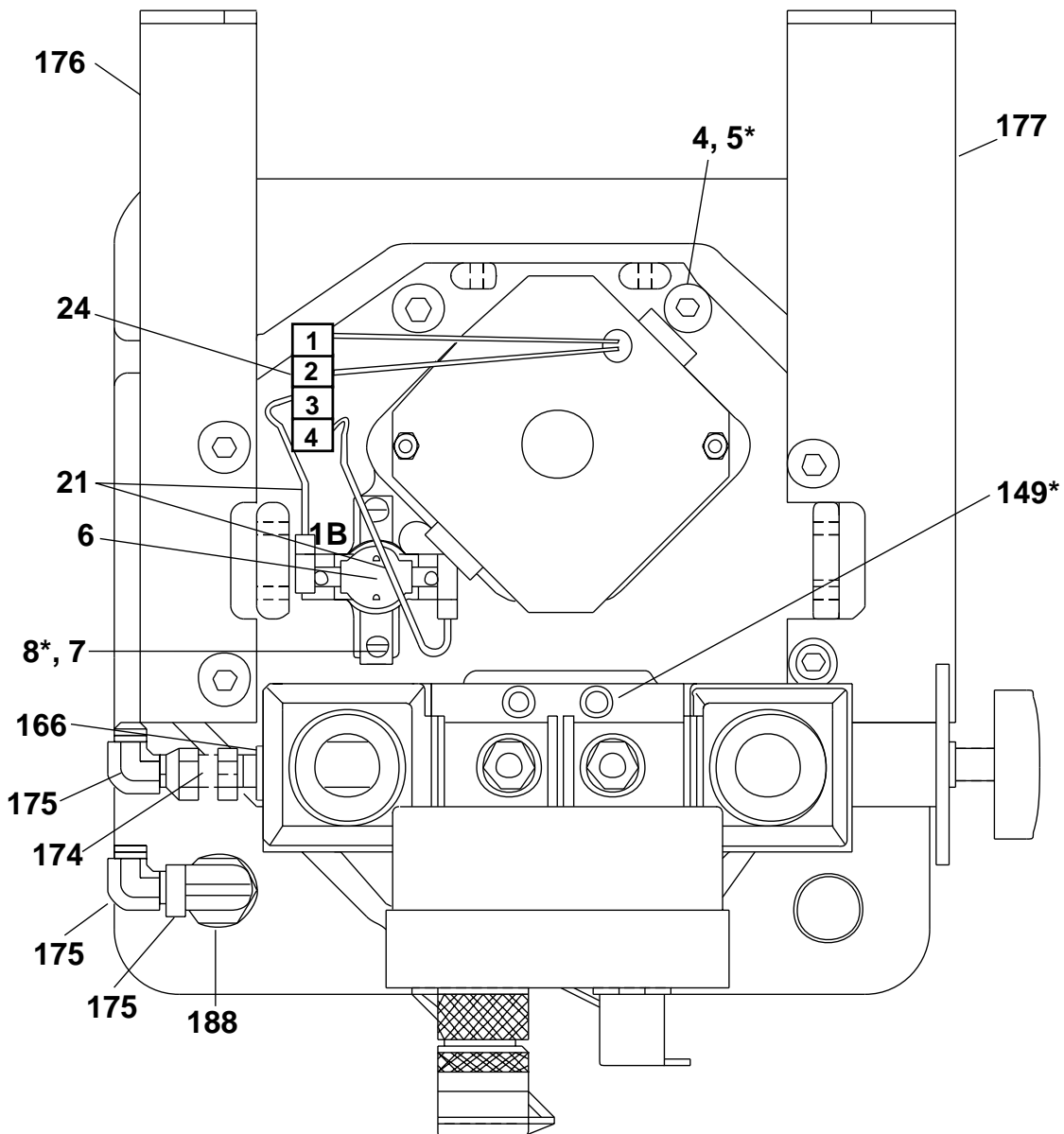


Figure 1.5: Top View

Refer to pages 6-8 for part number, quantity, and description of parts pictured on this page.

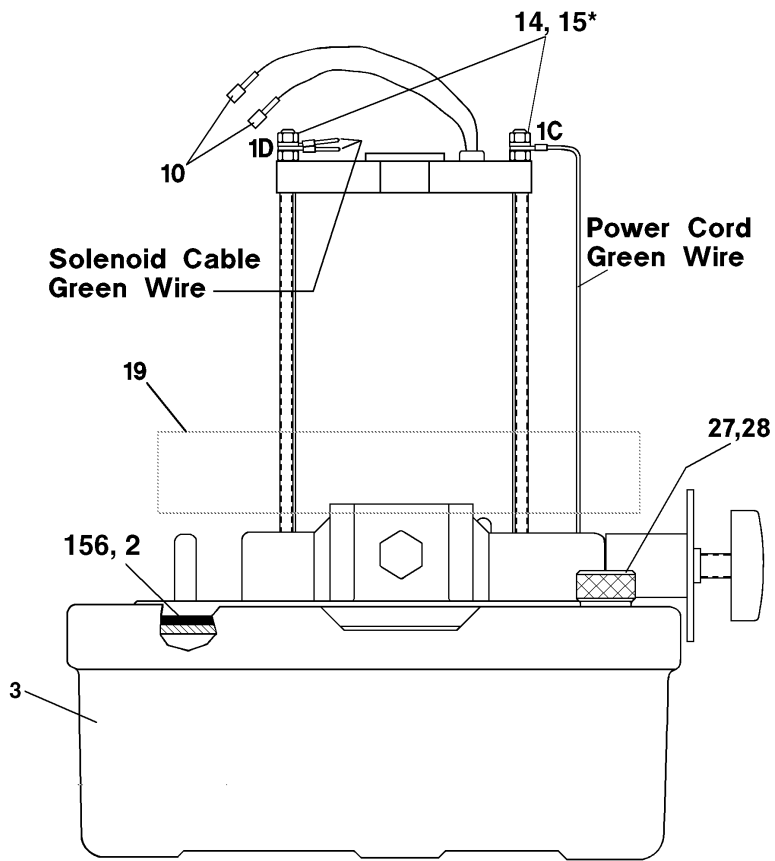


Figure 1.6: Pump Front View

(*) See page 19 for torque specifications and assembly notes.

Refer to pages 6-8 for part number, quantity, and description of parts pictured on this page.

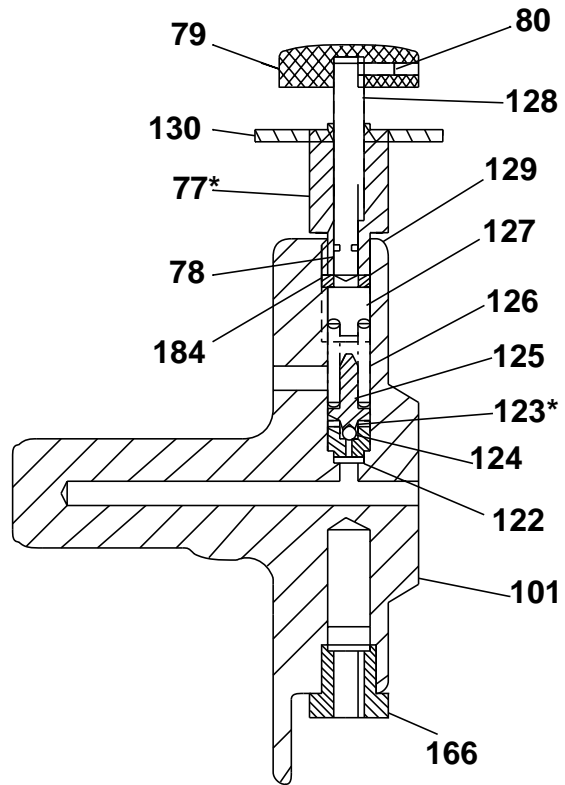


Figure 1.7: Relief Valve

REPAIR PARTS LIST FOR FIGURES 1.1 TO 1.7 (PUMP ASSEMBLY)

Item No.	Part Number	Quantity	Description
2	★ DA12088167SR	1	Gasket (Includes item 156)
3	DA5664900SR	1	Reservoir Assembly
4	★ DA6954167	8	Gasket
5	B2521028	8	BHC Screw
6	DA5135380	1	Thermostat
7	C701222	2	Washer
8	F658028	2	Pan Head Screw
10	DA3776006	2	Pin
11	DA11539380	1	Plug
14	DA15066	4	Lock Washer
15	B1018121	4	Hex Nut
16	See Figure 2	1	Shroud Assembly
17	CW261225	6	Eyelet
18	F866028	6	Machine Screw
19	CW259298	1	Baffle
21	DA3712900SR	2	Wire Assembly
22	DA5476900SR	1	115V Poppet Valve Assy. (Fig. 3)
22	DA5477900SR	1	220V Poppet Valve Assy. (Fig. 3)
24	DA11540380	1	Plug
25	Contact Enerpac for Nameplate	1	Nameplate
26	CU971003	4	Pop Rivet
27	DA608024	1	Vent Plug
28	★ B1906503	1	O-Ring
42	GT8004L	1	Gauge
46	DA9520900	1	Heat Exchanger Cord
77	DA5775190	1	Adjusting Screw Body
78	★ B1003503	1	O-Ring
79	CB815381	1	Knob
80	CB825028	1	Set Screw
101	DA12490840SR	1	Pump Manifold (Includes item 121)
102	CW179259	1	115VAC Motor
102	DC370259	1	220VAC Motor
105	CW298950SR	1	.53 Piston Block Assembly
106	★ B1007503	1	O-Ring
107	CW299950SR	1	.24 Piston Block Assembly
108	★ B1012803	1	O-Ring
109	B1008028	4	Screw
110	CW252107	1	Bearing
114	CW301228	1	Driven Gear
115	★ B1097057	1	Spring Pin

★ Indicates Items included in and available only as part of Repair Kit PME10427K.

continued

REPAIR PARTS LIST FOR FIGURES 1.1 TO 1.7 (PUMP ASSEMBLY)

Item No.	Part Number	Quantity	Description
116	★ CW199107	1	Bearing
117	CW251107	1	Bearing
118	CW302107	1	Bearing
119	CW303104	1	Shaft
121	DA5999900SR	1	Relief Valve (see figure 1.7)
122	★ C846037	1	Gasket
123	★ DA5771290	1	Seat
124	★ B1004016	1	Ball
125	A8020013	1	Ball Guide
126	★ DA3282110	1	Compression Spring
127	DA5772013	1	Spring Guide
128	DA5773048	1	Adjusting Screw
129	★ S1167	2	Gasket
130	DA5774021	1	Lock Nut
140	R515245-2	1	Plug
142	B202291	1	Elbow
143	DA3265268	1	Tube
144	★ CW467044	1	Retaining Ring
145	★ DA445107	2	Bearing
146	★ B1007016	1	Ball
147	★ DA1564110	1	Spring
149	DA5859028	4	Cap Screw
150	DA1015950SR	1	Relief Valve Assembly
151	DA5849092	1	Elbow Fitting
152	Y714291	1	Elbow
153	C642395	1	Nipple
154	CU876028	3	Screw (10-24)
155	DA3585186	3	Spacer
156	See item 2	1	Gasket
157	DA9628900SR	1	Unloading Valve (See figure 1-9.)
158	DC834900SR	1	Spring Guide Assembly
159	DA5878032	1	Reducer
160	CJ647096	1	Hex Nipple
161	DA5879026	1	Warning Decal
163	F100097-52	1	Male Elbow, 90°
164	DA2824268	1	Nylon Tubing
165	F100097-33	1	Connector, Male
166	CJ657032	1	Reducer, Bushing

★ Indicates Items included in and available only as part of Repair Kit PME10427K.

continued

REPAIR PARTS LIST FOR FIGURES 1.1 TO 1.7 (PUMP ASSEMBLY)

Item No.	Part Number	Quantity	Description
168	DA9432471	1	Heat Exchanger, 115 V
168	DA9572471	1	Heat Exchanger, 220 V
169	Y99017	1	Cord Strap
170	DA9511268	1	Tube Assembly, Upper
171	DA9512268	1	Tube Assembly, Lower
173	F100094-102	1	37° Flare Elbow,45°
174	F100094-5	1	37°Flare, Male Connector
175	F100094-210	3	37° Flare, Swivel Nut Elbow
176	DA9439111	1	Bracket, Right Hand
177	DA9438111	1	Bracket, Left Hand
178	CBE1080120-2A	4	Hex Nut
180	CU876028	1	Screw
181	DA7567028	1	Screw
184	DA9543037	1	Gasket
187	B1080066	4	Lock Washer
188	CA945096	2	Connector
196	C32291	1	Fitting

★ Indicates Items included in and available only as part of Repair Kit PME10427K.

REPLACEMENT BRUSHES FOR ELECTRIC MOTORS		
Part Number	Quantity	Description
DA9584380SR	1	Brush Set for 115V Models
DA9585380SR	1	Brush Set for 230V Models

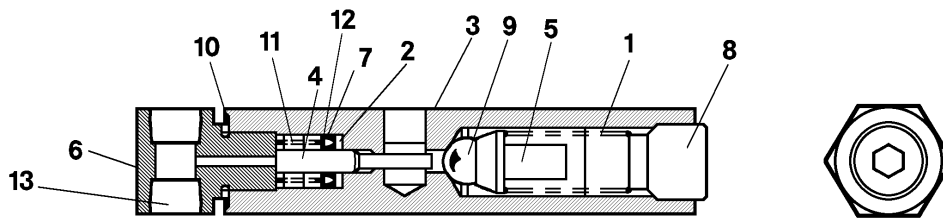


Figure 1.9: Unloading Valve

REPAIR PARTS LIST FOR FIGURE 5 (UNLOADING VALVE DA9628900SR)			
Item No.	Part Number	Quantity	Description
1	★ DA3282110	1	Compression Spring
2	★ SJ100016	1	Back-Up Washer
3	DA9628900SR	1	Valve Assembly, Complete
4	C622339	1	Plunger
5	DA3284160	1	Ball Retainer
6	DA3285038	1	Adaptor
7	★ C639053	1	U-Cup
8	C641087	1	Screw
9	★ B1009016	1	Ball
10	★ S15167	1	Gasket
11	★ S4375	1	Spring
12	★ B1024562	1	Leather Back-Up Ring
13	DA6192245	1	Pipe Plug

★ Indicates items included in and available only as part of Repair Kit DA9628900K.
(Repair Kit DA3281900K is included in Pump Repair Kit PME10427K.)

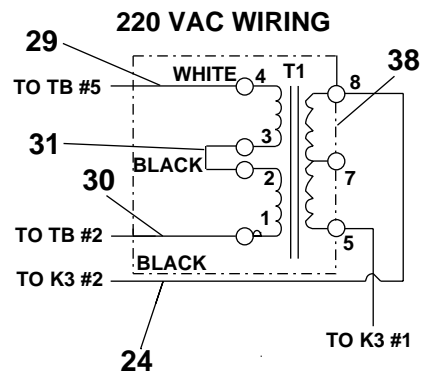
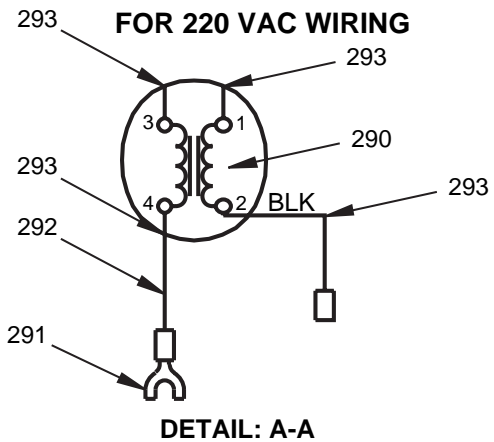
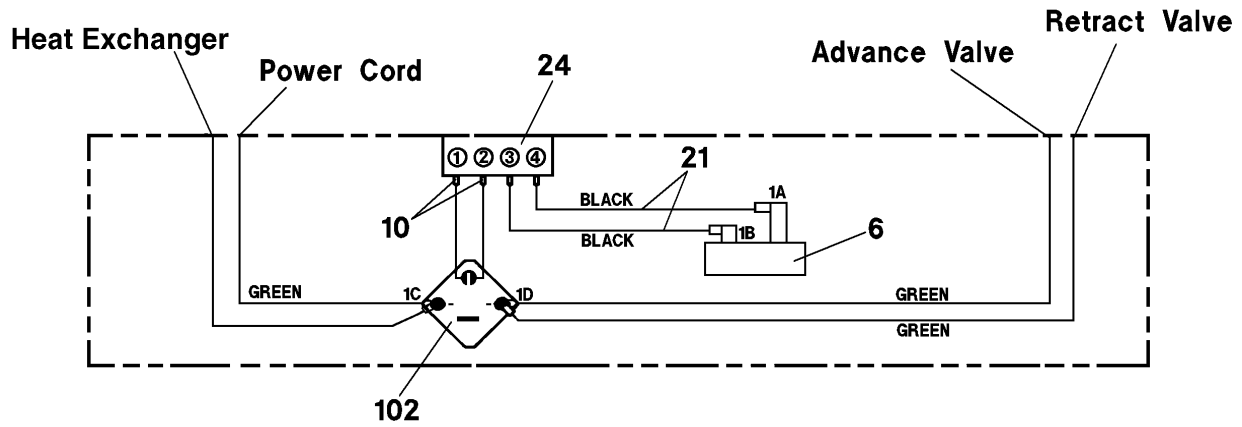
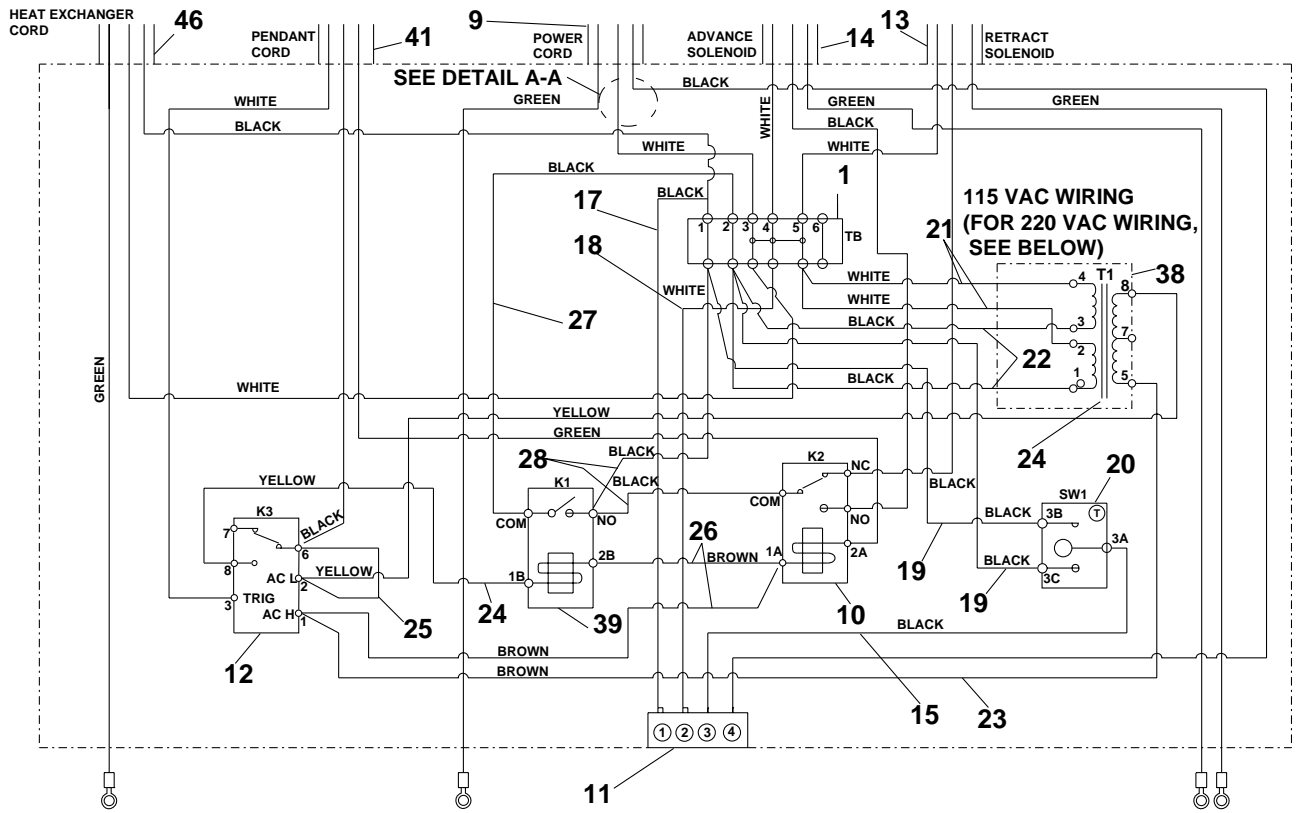


Figure 2.1: Wiring Diagram

PUMP WIRING CHART FOR 115 VAC AND 220 VAC MODELS

Voltage	Item No.	Color	Wiring Connection
both	15	Black	(Item 11, terminal 3) to (Item 20, terminal 3A)
both	17	Black	(Item 11, terminal 1) to (Item 1, terminal 1)
both	18	White	(Item 11, terminal 2) to (Item 1, terminal 4)
both	19	Black	(Item 20, terminal 3B) to (Item 1, terminal 1)
both	19	Black	(Item 20, terminal 3C) to (Item 1, terminal 2)
115 VAC	21	White	(Item 1, terminal 5) to (Item 38, terminals 2 and 4)
115 VAC	22	Black	(Item 1, terminal 2) to (Item 38, terminals 1 and 3)
220 VAC	29	White	(Item 1, terminal 5) to (Item 38, terminal 4)
220 VAC	30	Black	(Item 1, terminal 2) to (Item 38, terminal 1)
220 VAC	31	Black	(Item 38, terminal 2) to (Item 38, terminal 3)
both	23	Brown	(Item 12, terminal 1) to (Item 38, terminal 5)
both	24	Yellow	(Item 12, terminal 2) to (Item 38, terminal 8)
both	24	Yellow	(Item 12, terminal 8) to (Item 39, terminal 1B)
both	25	Yellow	(Item 12, terminal 6) to (Item 12, terminal 2)
both	26	Brown	(Item 10, terminal 1A) to (Item 39, terminal 2B and Item 12, terminal 1)
both	27	Black	(Item 39, COM terminal) to (Item 1, terminal 2)
both	28	Black	(Item 39, NO terminal) to (Item 10, COM terminal and Item 1, terminal 1)
115 VAC	9	Black	connect to Item 11, terminal 4
115 VAC		White	connect to Item 1, terminal 3
115 VAC		Green	connect to motor, terminal 1C
220VAC		Black	(Item 190, terminal 1)
220VAC		White	(Item 190, terminal 3)
220 VAC		Green	connect to motor, terminal 1C
both	13	Black	connect to Item 10, NC terminal
both		White	connect to Item 1, terminal 5
both		Green	connect to motor, terminal 1D
both	14	Black	connect to Item 10, NO terminal
both		White	connect to Item 1, terminal 4
both		Green	connect to motor, terminal 1D
both	41	Black	connect to Item 12, terminal 6
both		White	connect to Item 12, terminal 3
both		Green	connect to Item 10, terminal 2A
both	46	Black	connect to Item 1, terminal 1A
both		White	connect to Item 1, terminal 3B
both		Green	connect to motor, terminal 1C
both	motor	Black	connect to pin housing, terminals 1 and 2
both	wire assy.	Black	(thermostat, terminal 1A) to (pin housing, terminal 4) (thermostat, terminal 1B) to (pin housing, terminal 3)
220 VAC	290	Black	(Item 11, terminal 4)
220 VAC	292	White	(Item 290, terminal 4) to (Item 1, Terminal 13)

Note: An electrical schematic is shown on page 18.

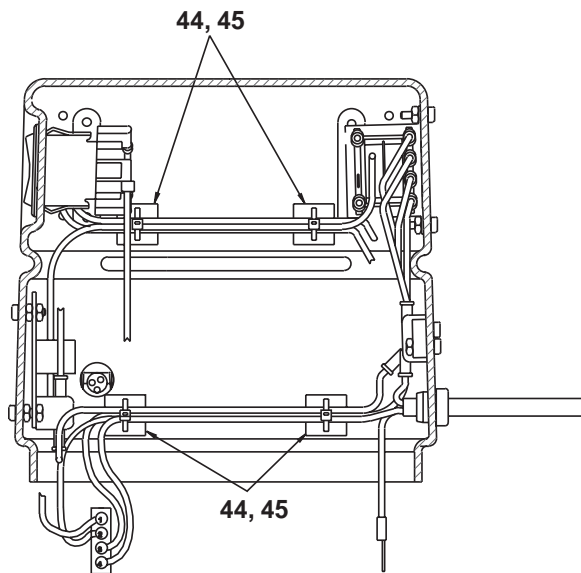


Figure 2.3: Shroud Wiring Behind Motor

Refer to page 14 for part number, quantity, and description of parts pictured on this page.

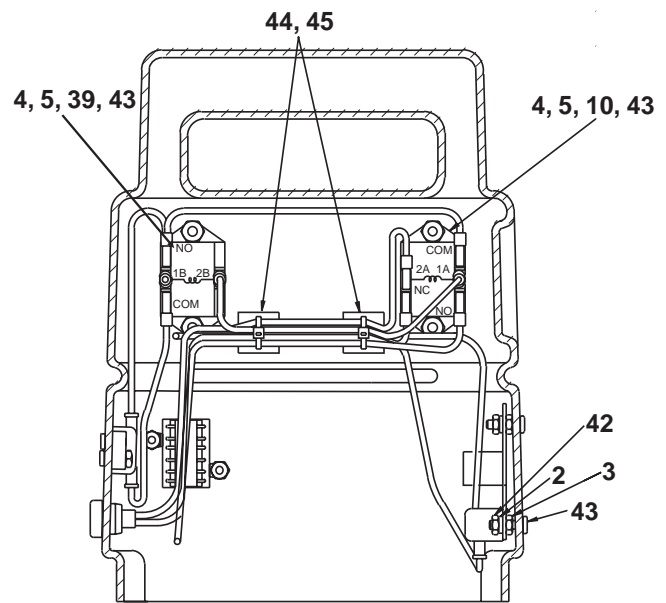


Figure 2.4: Wiring in Front of Motor

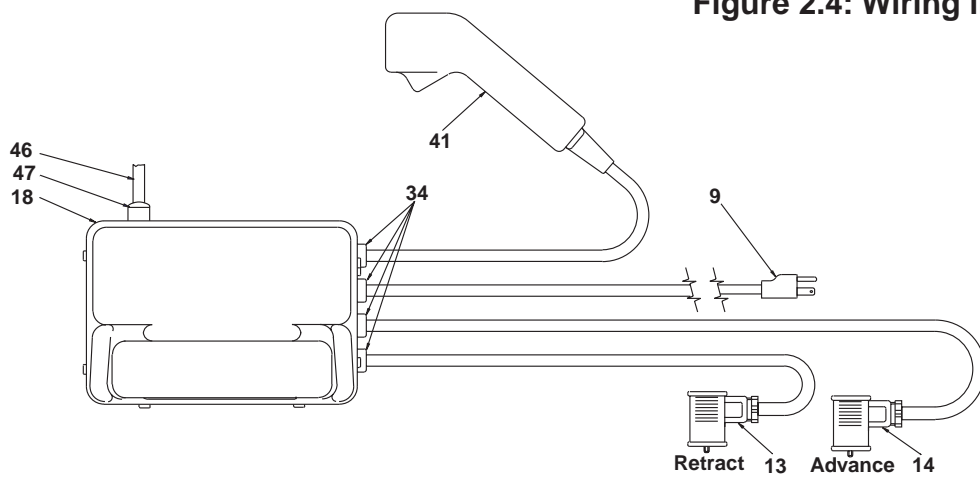


Figure 2.5: Top View, Cord and Cables

Refer to page 14 for part number, quantity, and description of parts pictured on this page.

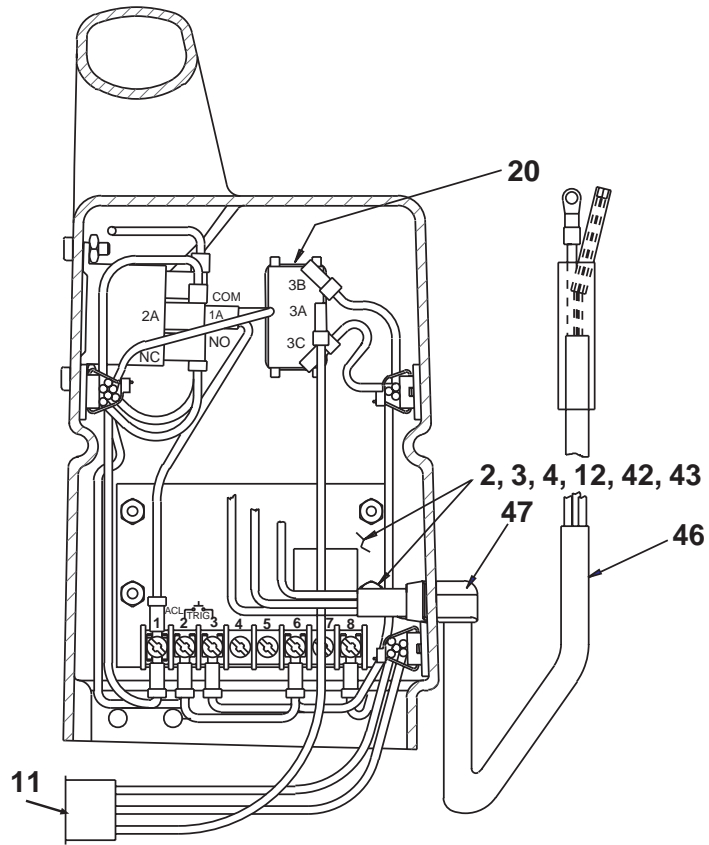


Figure 2.6: Wiring to Left of Motor

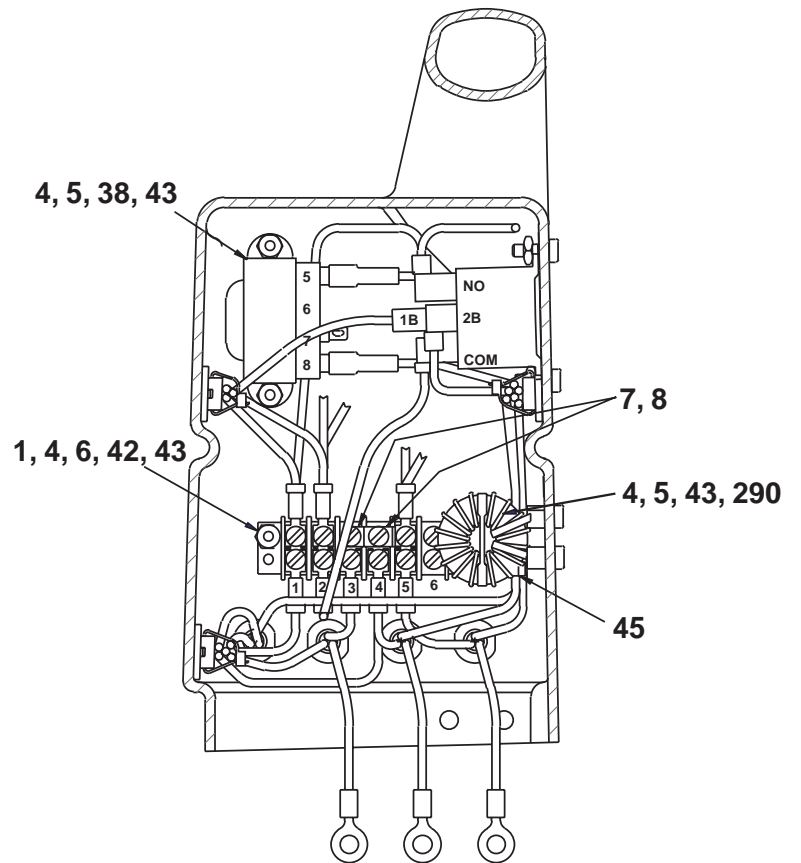
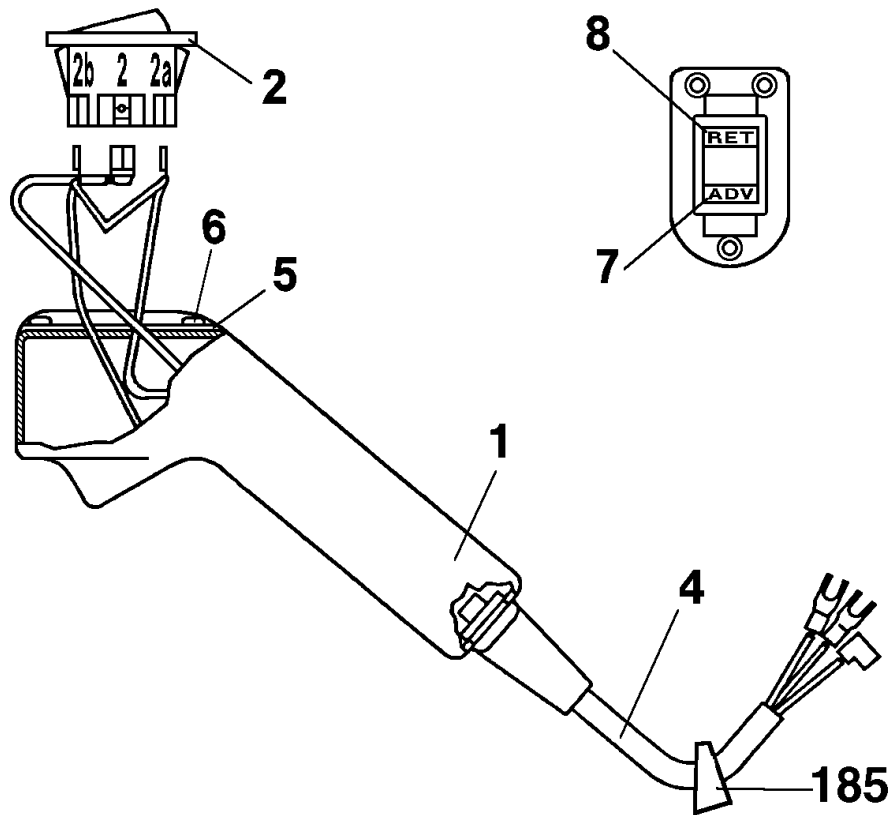


Figure 2.7: Wiring to Right of Motor

REPAIR PARTS LIST FOR FIGURE 2.1 TO 2.7 (SHROUD ASSEMBLY)

Item No.	Part Number	Quantity	Description
1	DA5884199	1	Terminal Strip
2	CH890108	4	Back-Up Washer
3	DA5909021	4	Nylon Nut #6-32
4	BC1310728	12	Screw (115V)
		14	Screw (220V)
5	F75021	6	LockNut #6-32 (115V)
		8	Lock Nut #6-32 (220V)
6	DA5801199	1	Terminal Marker Strip
7	DA5803199	2	Terminal Jumper
8	DA5802199	1	Terminal Cover
9	DA5913900SR	1	115VAC Power Cord
9	DA3728900SR	1	220VAC Power Cord
10	DA5581980	1	Relay
11	DA11539380	1	Socket Housing
12	DA9284980	1	Time Delay Relay
13	DA5915900SR	1	Soleniod Cable Assembly
14	DA5917900SR	1	Solenoid Cable Assembly
15	DA5919900SR	1	Wire Assembly
16	DA5876098SR	1	Shroud, 110V
16	DC643098SR	1	Shroud, 220V
17	DA5920900SR	1	Wire Assembly
18	DA5921900SR	1	Wire Assembly
19	DA5922900SR	2	Wire Assembly
20	E1500002	1	Switch
21	DA5923900SR	1	Wire Assembly (115V Model Only)
22	DA5924900SR	1	Wire Assembly (115V Model Only)
23	DA5925900SR	1	Wire Assembly
24	DA5926900SR	2	Wire Assembly
25	DA5927900SR	1	Wire Assembly
26	DA5928900SR	1	Wire Assembly
27	DA5929900SR	1	Wire Assembly
28	DA5930900SR	1	Wire Assembly
29	DA5931900SR	1	Wire Assembly (220V Model Only)
30	DA5932900SR	1	Wire Assembly (220V Model Only)
31	DA5933900SR	1	Wire Assembly (220V Model Only)
34	CR759291	4	Cord Bushing
38	DA5875380	1	Transformer
39	E1300008	1	Relay
41	DA5799900SR	1	Pendant Assembly (Fig. 3)
42	B1013121	6	Hex Nut
43	DA5974098	12	Screw Cover (115V)
		14	Screw Cover (220V)
44	EHC3901075	6	Tie Down
45	DA3131217	7	Wire Tie
46	DA9520900	1	Heat Exchanger Cord
47	DA9521380	1	Bushing
290	DC374900	1	Choke Assembly (220V only)
291	E1001058	1	Spade Connector (220 V only)
292	B1206464	1	Wire (220 V only)
293	F100269-5	1/2 Foot	Heat Shrink Tubing

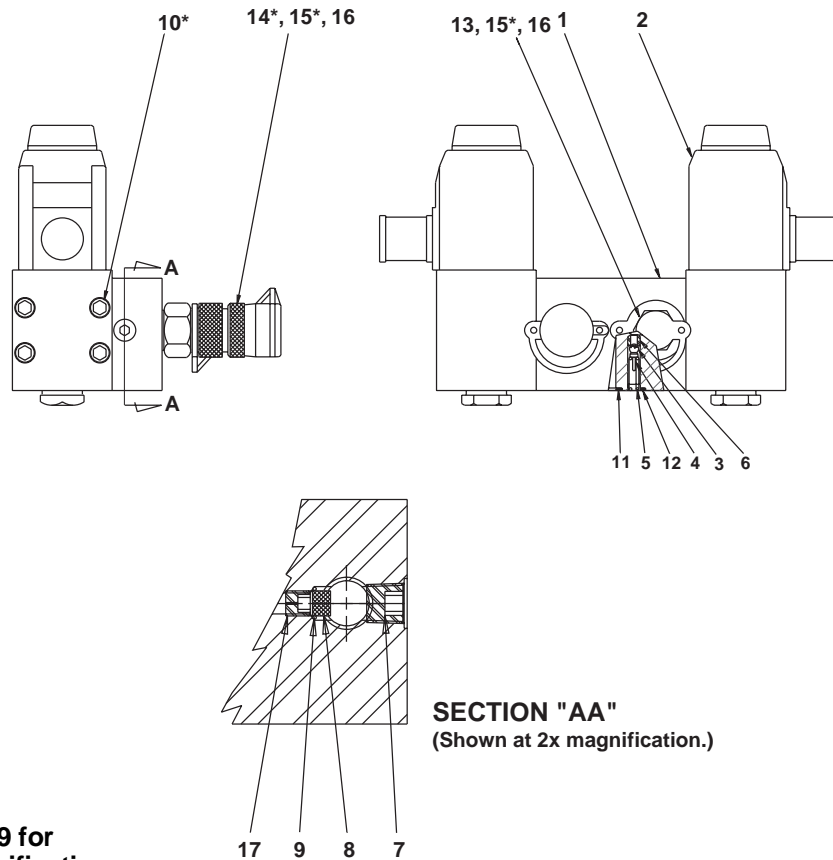


WIRING CODE CHART	
Switch Terminal	Wire Color
Terminal 1	Black
Terminal 2	Black
Terminal 1a	White
Terminal 2b	Green
Terminal 1b	White

Figure 3: Pendant Assembly

REPAIR PARTS LIST FOR FIGURE 3 (PENDANT ASSEMBLY)			
Item No.	Part Number	Quantity	Description
1	DA5799900SR	1	Complete Pendant Assembly
2	E1500001	1	Rocker Switch
4	DA5912900SR	1	Cord Assembly
5	DA1415101	1	Mounting Plate
6	CU971003	3	Pop Rivet
7	DA1686026	1	Decal
8	DA2804026	1	Decal
185	DA7570217	1	Cord Strap

Note: For a complete replacement pendant assembly, order DA5799900SR.



(*) See page 19 for torque specifications and assembly notes.

Figure 4: Poppet Valve

REPAIR PARTS LIST FOR FIGURE 4 (POPPET VALVE)			
Item No.	Part Number	Quantity	Description
1	DA5850190	1	Body
2	DA5476900SR	1	115V Valve Assembly (Fig. 4A)
	DA5477900SR	1	220V Valve Assembly (Fig. 4A)
3	★ B1005016	1	3/16 Ball
4	★ F522570	1	Ball Cap
5	★ A8238110	1	Compression Spring
6	★ A8015290	1	Seat
7	★ DA6192245	2	Pipe Plug
8	★ A8003018	1	Screen
9	★ A8015049	1	Retaining Ring
10	B1022028	8	Screw
11	★ B1011803	1	O-Ring
12	★ B1231503	1	O-Ring
13	CPM116	1	Male Coupler Kit
14	CPF115	1	Female Coupler Kit
15	CS832038	2	Adaptor
16	★ CYA1370041-1A	2	Multi Seal
17	★ A8006048	1	Orifice Screw

★ Indicates items included in and available only as a part of Repair Kit DA5476900K.
 (Repair Kit DA5476900K is included in Pump Repair Kit PME10427K.)

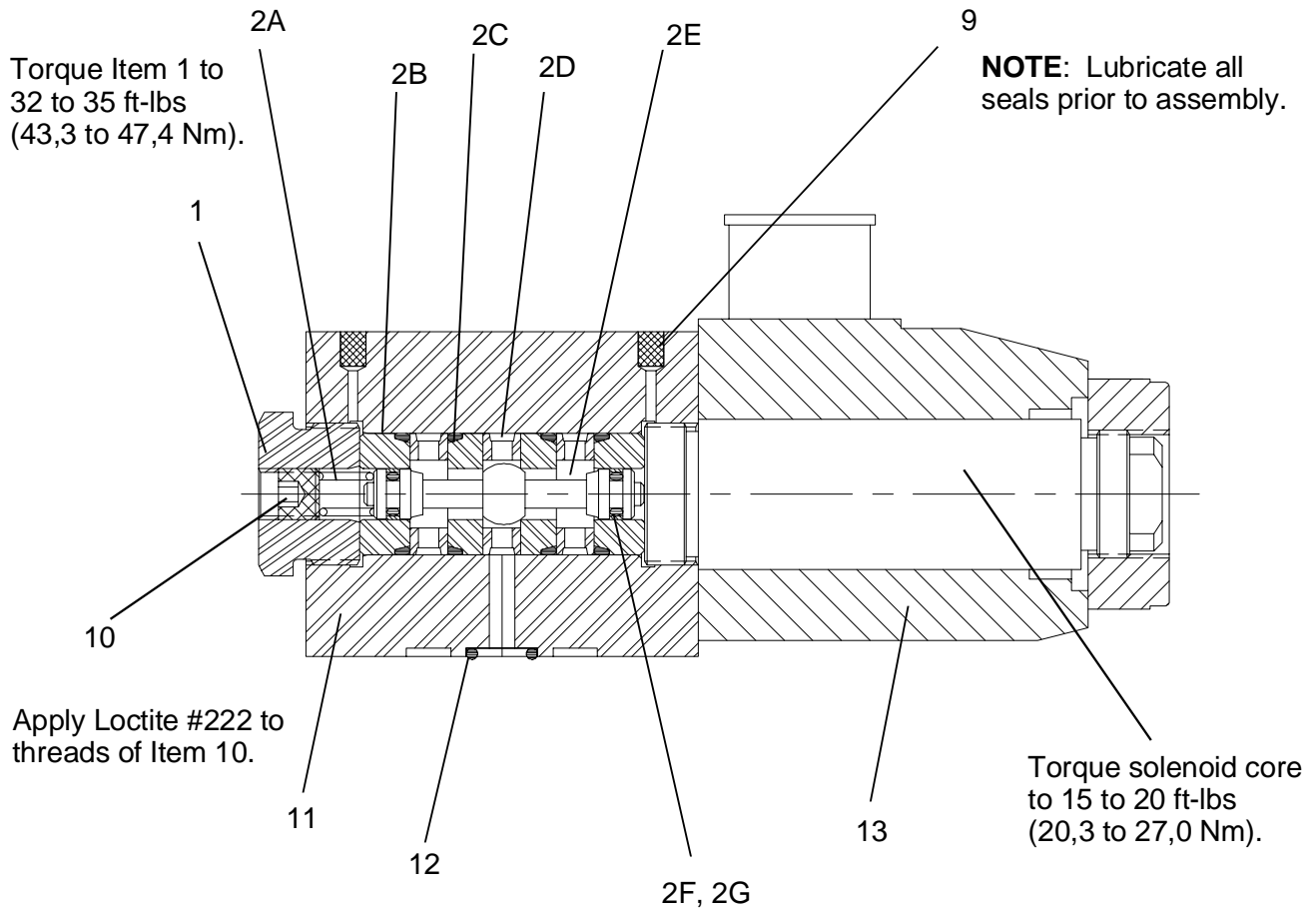


Figure 4A: Valve Assembly

REPAIR PARTS LIST FOR FIGURE 4A

Item No.	Part Number	Quantity	Description
1	DA5421009	1	Valve Plug
2	★ DA5792949SR	1	Internal 3-way Stack
2A	★	1	Spring
2B		2	Bushing
2C	★	4	O-Ring
2D		2	Seat Spacer
2E		1	Poppet Assembly
2F	★	2	O-Ring
2G	★	2	Glyd Ring
9	★ DA4390118	2	Filter
10	BC3104027F	1	Set Screw
11	DC846190	1	Valve Block
12	★ B1011803	3	O-Ring
13	DA4405900	1	115VAC Solenoid Assembly
13	DA5714900	1	220VAC Solenoid Assembly
-	DC844661SR	1	Check Valve
-	★ B1006503	1	O-Ring

★ Indicates items included in and available only as a part of Repair Kit DA5476900K.

(Repair Kit DA5476900K includes (2) DA579949SR Repair Kits.)

(Repair Kit DA5476900K is included in Pump Repair Kit PME10427K.)

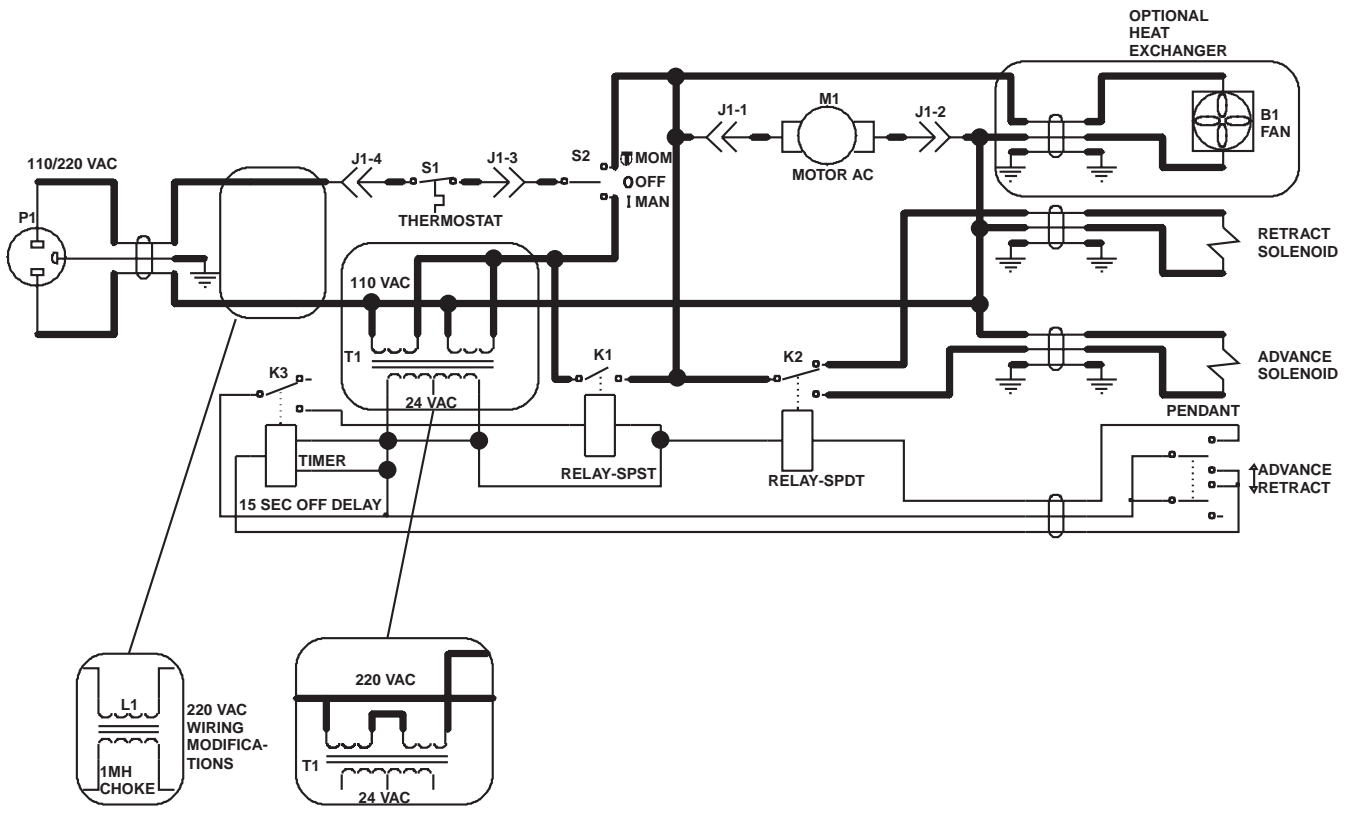


Figure 5 - Electrical Schematic

TORQUE SPECIFICATIONS and ASSEMBLY NOTES

Figure	Item No.	Torque Specification or Assembly Note
1.3	18	Torque to 12 to 18 in-lbs (1,4 to 2,0 Nm). Lubricate with 1 drop Loctite #242
1.3	42	Torque to 120 to 145 ft-lbs (163 to 196 Nm).
1.3	154	Torque to 27 to 31 in-lbs (3,1 to 3,5 Nm).
1.3	159	Torque to 44 to 53 ft-lbs (60 to 71 Nm).
1.3	160	Torque to 28-34 ft-lbs (38 to 46 Nm).
1.3	NOTE 1	Install bearing, Item 117, flush to 0.010" (2.54 mm) recessed from surface.
1.3	NOTE 2	Apply sealant to motor end cap at 3 locations: around tie rods & center boss.
1.4	15	Torque to 27 to 31 in-lbs (3,1 to 3,5 Nm).
1.4	109	Torque to 15 to 16 ft-lbs (20,3 to 27,6 Nm).
1.4	121	Relief valve setting should be from 11,850 to 12,350 psi (817 to 851 bar).
1.4	146	Seat must be coined.
1.4	150	Valve setting should be from 10 to 30 psi (0,7 to 2,0 bar). Stake threads after setting pressure.
1.4	157	Relief valve setting should be from 625 to 825 psi (43,2 to 56,8 bar).
1.5	5	Torque to 36-42 in-lbs (4,1 to 2,0 Nm). Lubricate with sealant.
1.5	8	Torque to 9 to 12 in-lbs (1,0 to 1,3 Nm).
1.5	149	Torque to 8 to 10 ft-lbs (10,8 to 13,5 Nm).
1.6	15	Torque to 27-31 in-lbs (3,1 to 3,5 Nm).
1.6	36	Insert must be flush.
1.7	77	Torque to 15 to 20 ft-lbs (20,4 to 27,1 Nm).
1.7	123	Torque to 15 to 16 ft-lbs (20,4 to 21,7 Nm) lubricated.
4	10	Torque to 9 to 11 ft-lbs (12 to 15 Nm)
4	14	Thread nipple (Item 15) into block (Item 1), hex side out. Then install coupler (Item 14).
4	15	Torque to 16 to 19 ft-lbs (22 to 26 Nm).

Australia

Enerpac
Block V, Unit 3
Regents Park Estate
391 Park Road
Regents Park NSW 2143
Tel: (61) (2) 743-8988
Fax: 8232-674-7747

CIS

Applied Power Moscow
Leninski Prospekt 95A
117313 Moscow
Tel: (095) 936 2005
Fax: (095) 936 2005

**Eastern Europe and
Other European
Countries,
Middle East,
and Africa**

Enerpac
47, avenue Blanc
P.O. Box 67, CH-1211
Geneva 21, Switzerland
Tel: (41) 22-731 94 05
Telex: 412843
Fax: (41) 22-731 12 15

**Belgium, Holland,
and Luxemburg**

Enerpac B.V.
P.O. Box 269, Storkstraat 25
3900AG Veenendaal
Holland
Tel: (0318) 535911
Fax: (0318) 525613 or 526645

Canada

Enerpac
13000 West Silver Spring Drive
Butler, Wisconsin 53007, USA
Tel: (800) 426-4129 User
Tel: (800) 426-2284 Distributor
Fax: (414) 781-1049

Far East

Enerpac
47 Jalan Pemimpin
#01-02 & 01-03
Sin Cheong Building
Singapore 2057
Thomson Road P.O. Box 114
Singapore 9157
Tel: (65) 2581677
Telex: RS24882 APOWR
Fax: (65) 2582847

France

Enerpac
B.P. 200
Parc d'Activités du Moulin
de Massy
91882 Massy Cedex, France
Tel: (33) 1-60 13 68 68
Fax: (33) 1-69 20 37 50

Germany

Enerpac
Mündelheimer Weg 51
P.O. Box 300 113
D-40401 Düsseldorf 30
Tel: (49) (221) 41707-0
Telex: 8582790
Fax: (49) (211) 4170740

Italy

Enerpac
Via Canova, 4
20094 Corsico
Milano, Italy
Tel: 39-2-4582741
Fax: 39-2-48601288

Hongkong

Enerpac
Room No. 907, Workingberg
Commercial Building
41-47 Marble Road, North Point
Tel: (852) 561-6295
Fax: (852) 561-6772

India

Enerpac
Hydraulic Technology (India) Pvt
Ltd
203 Vardhaman Chamber
Plot #84, Sector 17
Vashi, New Bombay 400 705
Maharashtra
Tel: 91-22-7631062
Fax: 91-22-7670309

Japan

Applied Power Japan
10-17 Sasame
Kita-cho, Toda-Shi
Saitama 335,
Japan
Tel: 81-0484-22-2251
(Administration)
0484-21-2311 (Sales)
Telex: J26275
Fax: 81-0484-22-0596

**Latin America
and Caribbean**

Enerpac
13000 West Silver Spring Drive
Butler, Wisconsin 53007
Tel: (414) 781-6600 ext. 263
Fax: (414) 781-5561

Mexico

Enerpac
Blvd. Gral. Felipe Angeles 1604
P.O. Box 362
Pachuca. Hidalgo 42080
Mexico
Tel: (52) 771 3-3700
Fax: (52) 771 3-1196 or
(52) 771 8-3800

South Korea

Enerpac
163-12, Dodang-Dong
Wonmi-Ku,
Buchun-Shi, Kyunggi-Do
Republic of Korea
Tel: (82) (32) 6750836
Fax: (82) (32) 6753002

Spain

Enerpac
Calle de la Imprenta, 7
Poligono Industrial
28100 Alcobendas, Madrid
Spain
Tel: (34) 1-6611125
Fax: (34) 1-6614789

United Kingdom

Enerpac
Leacon Road
Ashford, Kent
TN23 4TU
England
Tel: 44-1233-639871
Telex: 966 450
Fax: 44-1233-643923

United States

Enerpac
13000 West Silver Spring Drive
Butler, Wisconsin 53007, USA
Tel: (414) 781-6600
1-800-433-2766 (End User)
1-800-558-0530 (Distributor)
Fax: (414) 781-1049



All Enerpac products are guaranteed against defects in workmanship and materials for as long as you own them. Under this guarantee, free repair or replacement will be made to your satisfaction.

For prompt service, contact your Authorized Enerpac Service Center or call toll free:

In U.S.A. 1-800-558-0530

In Canada 1-800-426-2284